

Suite II Flat Top Incremental Packaged Terminal Air Conditioner

PDES
Sizes 009 - 016
Design A (1)

PDHS
Size 015
Design A (1)

PDNC, PDNS
Sizes 007 - 016
Designs A & B (1 & 2)



Contents

Parts List Revision History.....	3
Nomenclature	
Serial Number (until 2/1999)	4
Serial Number (2/1999 to present).....	4
Unit Model Number	4
Electrical Legend.....	5
Refrigeration Circuit	
Compressors- PDNS- Until 7/2002	7
Compressors- PDNS- 7/2002 and later	8
Compressors- PDNC	9
Compressors- PDES, PDHS.....	10
Indoor (Evaporator) Coil and Blower Assembly.....	11, 12
Outdoor (Condenser) Coil and Fan	13, 14
Electric Heater.....	15
Chassis.....	16
Damper.....	17
Cabinet and Front Panel- PDES/PDHS.....	18
Control Box	
Electromechanical.....	19- 22
Digital- Design A (Code 09= 55, 56, 57)	23
Digital- Design B (Code 09= 55, 56, 57)	24
Field Installed Accessories	
Electrical Subbase- All Units*	25
Hydronic Subbase- PDES 015 Hydronic Heat Unit.....	26, 27
Wall Sleeve- PDES/PDHS Units	28
New York City Wall Sleeve- PDNS/PDNC Units	28
52" New York City Room Cabinet- PDNS/PDNC Units	28
New York City Room Cabinet- PDNS/PDNC Units.....	29
New York City Top Mounted Hydronic Heat Coils and Valves	30
Extendaire Discharge Accessories- PDES/PDHS Sizes 012, 015.....	31
Anodized Aluminum Louvers- All Units	32
Indoor/Outdoor Drain Kit- PDES/PDHS Units	32
Receptacles and Plug Covers.....	32
Critical Parts List.....	CPL1-2

Parts List Revision History

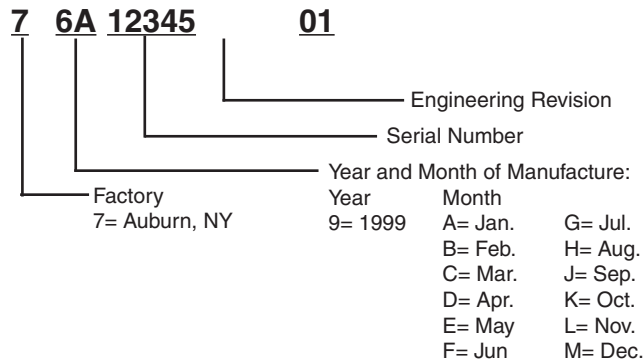
Revision	Date	Description
A	11/03	Page 10 - Voltage for size 012 was incorrectly typed as 280V instead of 208V.
B	1/05	Page 12 - Ref. #24 - Blower Wheel- Metal L.H., was CW & was changed to CCW. Blower Wheel- Metal R.H., was CCW & was changed to CW.
C	3/06	Page 6 - Added Reversing Valve and Reversing Valve Solenoid for units built 4/05 and later (previous listed are now for ('until 4/05'). Added (*) note. Page 12 - Ref # 27 Fan Panel sizes 12-16 p/n changed from 062550701 to 061194601. Removed Coil, Indoor Seal p/n 820019315. Page 14 - Ref. #9; p/n 056912301 not available for unit size 009, p/n 056914901 is available for size 009, and added (*). Page 21 - Heat Relay R5 p/n change from 067180401 to 066803901. Change Cool Relay R7 p/n change from 067180401 to 066803901. Page 22 - P/n 062218107 was changed to 062218137 throughout table. P/n 062218101 was changed to 062218131 throughout table. Page 26 - replaced page Page 27 - 4-way Deluxe Grille p/n 056397189 changed to 067280201.
D	09/08	Page 4 - Added Digital Controls codes to nomenclature. Pages 19, 20, 21, 22- Added "Electromechanical" to heading. Page 20- Added Code "24" to heading. Page 23- Added new. Pages 24 thru 31 repaginated.
E	5/09	Page 29- Remove the 3-Way Valve p/n 802026110. Remove "4/00 and later" from the Body and Actuator.
F	01/10	Page 4- Code 03 add 2= Design B. Page 8- Change gasket-compressor description to gasket- nut for p/n 066536601. Add footnote for PDNS009 Tecumseh compressors built after 7/02.
G	03/10	Page 6- Ref # 3A change 208/230V solenoid p/n 106694202 to 106694204. Change 265/277V solenoid p/n 106694203 to 106694205. Page 23- Added Design A to main heading. Page 24-Added Design B digital controls parts list. ----PAGE ADDED---
H	8/10	Page 6- Add footnote 1 for Ref #4 capillary p/n 802001018. Page 12- Delete footnote for p/ns with italics and remove italics from p/n 055146589. Page 16- Delete footnote for p/ns with italics and remove italics from p/n 056306489. Page 17- Delete footnote for p/ns with italics and remove italics from p/ns 062282789, 062282889 and 105556289. Page 18- Delete footnote for p/ns with italics and remove italics from p/n 056312590. Page 19- Change heading from C07 to C09= 26 Shown. Page 20- Change heading from C07 to C09= 12, 26, 24, 21. Delete footnote for p/ns with italics and remove italics from p/ns 060779089 and 060778989. Page 21- Change heading from C07 to C09= 13. Page 25- Delete footnote for p/ns with italics and remove italics from p/ns 060931989, 060931589 and 060932889. Page 27- Delete footnote for p/ns with italics and remove italics for all Ref # 2 Ramp- L.H. p/ns 057045889 and Ref #13 Air Block-off Panel p/ns 105532789. Page 29- Delete footnote for p/ns with italics and remove italics for all p/ns. Page 31- Delete footnote for p/ns with italics and remove italics from p/ns 056390590, 057044990 and 057045090.
I	1/12	Cover- Change title to PDES 009-015 and PDHS size 015; PDNC, PDNS Sizes 007-016. All- Remove vendor specifications. Page 4- Update Serial Number (2/99 to present). CPL1-2 Added Critical Parts List.



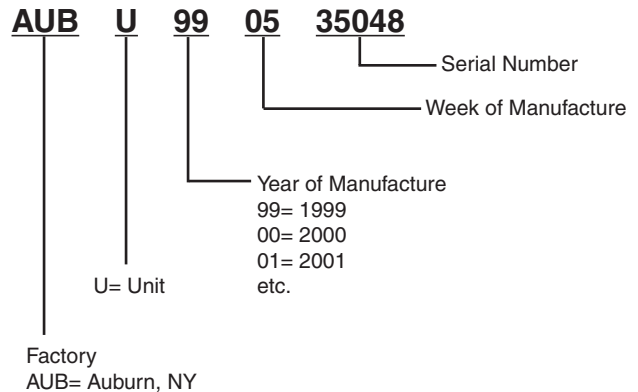
a member of **DAIKIN** group 13600 Industrial Park Blvd., P.O. Box 1551, Minneapolis, MN 55440 (763) 553-5330

Nomenclature

Serial Number (until 2/1999)



Serial Number (2/1999 to present)



Unit Model Number

PDES 1 009 C Z 41 Z 12 AR 14 C I C 1

1 & 2 3 4 5 6 7 8 9 10 11 12 13 14 15

01 Unit Type

- & PDES= Flat Top Suite II, 2 Motor PTAC A/C & Heating
- 02 Chassis with Damper (sizes 009- 015 only)
- PDHS= Flat Top Suite I, 2 Motor Heat Pump with Damper (size 015 & electric heat only)
- PDNS= Flat Top NYC, Suite II, 2 Motor PTAC with Top-Mounted Hydronic Heat
- PDNC= Flat Top NYC, Suite II, 2 Motor PTAC with Top-Mounted Hyd. Heat & Corrosion Package

03 Design Series

- 1= Design A
- 2= Design B

04 Unit Size (1000's BTU's)

- 007 (PDNS/PDNC)
- 009 (PDES/PDNS/PDNC)
- 012 (PDES/PDNS/PDNC)
- 015 (All types)
- 016 (PDNS/PDNC)

05 Voltage

- A= 115/60/1
- C= 208/60/1
- G= 230/60/1
- J= 265/277/60/1
- R= 265-115/60/1 w/ Stand By Power
- S= 208-115/60/1 w/ Stand By Power

06 Coil Options

- Z= None

07 Heating Options

- 41= 3.5 KW Nominal Electric Heat (PDES/PDHS only)
- 48= 5.0 KW Nominal Electric Heat (PDHS 015 only)
- 62= Hot Water Hydronic Heat with Normally Open Valve
- 63= Steam Hydronic Heat with Normally Closed Valve

08 Hand Orientation

- Z= Not Applicable

09 Controls

Electromechanical

- 12= Unit Mounted MCO
- 13= 24V Wall Stat (Remote Control)
- 21= Unit Mounted MCO + Heat-Fan Lockout
- 24= Unit Mounted MCO + NSB
- 26= Unit Mounted MCO + GRC + NSB

Digital

- 55= Unit Mounted MCO
- 56= Hand Held Remote Wireless
- 57= Wall Mounted Remote Stat

10 Discharge

- AR= Flat Top

11 Return Air/ Outside Air

- 14= Bottom with auto electric damper
- 34= Bottom with manual damper

12 Power Connection

- C= Cord

13 Color

- I= Antique Ivory

14 SKU Type

- A= Stock
- B= Standard Delivery
- C= Extended Leadtime

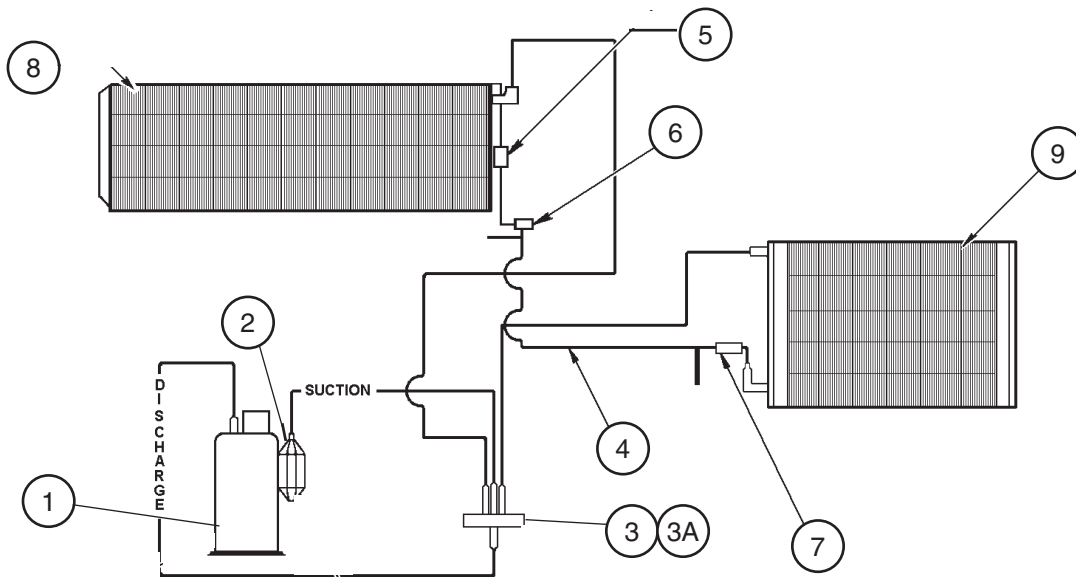
15 Product Style

- 1= 1st Style Change

Electrical Legend

Sch. Sym.	Description
C1	Capacitor- Compressor
C2	Capacitor- Fan Motor
DM	Damper Motor
HL1	Hi Limit Switch- Electric Heat
HV	Heat Valve
MP	Motor Protector- Compressor
P1	Plug- Chassis
P3	Plug- Heating Valve
R1	Relay- Guest Room Control
R2	Relay- Night Setback
R3	Relay- Compressor
R4	Relay- Fan Cycle
R5	Relay- Heat
R6	Relay- Fan
R7	Relay- Cool
R8	Relay-Stand By Power
R9	Relay- Defrost
RV	Reversing Valve (MQR)
S1	Switch- Control
S2	Switch- Power
S3	Switch- Fan Cycle
S4	Switch- Damper
T1	Transformer- Heat Valve
T2	Transformer- Heat Valve
TB1	Terminal Board- Control Box
TB2	Terminal Board- Chassis
TB3	Terminal Board- Remote Control Box
TC1	Thermostat- Room
TC7	Freezestat

Refrigeration Circuit (PDHS Shown)



Ref. No.	Description	Specification	Part Number	007			009			012			015			016
				115V	208V	265V	115V	208V	265V	115V	208V	265V	208V	230V	265V	208V
1	Compressor	see following pages														
2	Strainer	PDHS	056303301										2	2	2	
	Strainer	PDES/PDNS/PDNC	056303301	1	1	1	1	1	1	1	1	1	1	1	1	1
3	Reversing Valve *	PDHS Only														
		(Until 4/05)	066533701										1	1	1	
		(4/05 & Later)	106694102										1	1	1	
3A	Solenoid- Reversing Valve *	PDHS Only														
	208/230V	(Until 4/05)	066541903										1	1		
	265/277V	(Until 4/05)	066541904												1	
	208/230V	(4/05 & Later)	106694204										1	1		
	265/277V	(4/05 & Later)	106694205												1	
4	Capillary	45 x .059 x .112	060634746	1	1	1										
	Capillary	51 x .064 x .125	802001018 ¹				1	1	1							
	Capillary	42 x .070 x .125	802001177							1	1	1				
	Capillary	42 x .075 x .125	802001191										1	1	1	
	Capillary	30 x .075 x .125	802001144													1
5	Freezestat		066547401	1	1	1	1	1	1	1	1	1	1	1	1	1
6	Thermostat- Indoor Coil	PDHS Only	060660101										1	1	1	
7	Thermostat- Defrost	PDHS Only	060660101										1	1	1	
N/S	Valve- Drain	PDHS Only	802026196										1	1	1	
8	Indoor (Evaporator) Coil	see Indoor Coil Section following compressors														
9	Outdoor (Condenser) Coil	see Outdoor Coil section following indoor coil section														

N/S = Not shown on diagram.

NOTE: Stand by power units— Code S (208-115V) use 208V compressors; Code R (265-115V) use 265V compressors.

* New and old valves/solenoid are not compatible. If a new valve is ordered to replace an old valve, a new coil must also be ordered.

¹ For PDNS/PDHS units Design A. For PDNS/PDHS Design B use p/n 802001057.

Compressors- PDNS

Until 7/2002

Compressor, Mounting, Overload, Capacitor

Ref. No.	Description	Specification	Part Number	007			009			012			015		016
				115V	208V	265V	115V	208V	265V	115V	208V	265V	208V	265V	208V
1	Compressor		066531901	1											
	Compressor		066531902		1										
	Compressor		066531903			1									
	Compressor		061086003				1								
	Compressor		061086002					1							
	Compressor		061086001						1						
	Compressor		060907804							1					
	Compressor		060907801								1				
	Compressor		060907802									1			
	Compressor		061043401										1		
	Compressor		061043402											1	
	Compressor		066540301												1
N/S	Capacitor	35MFD/370V	802007849	1											
	Capacitor	15MFD/440V	067291508		1	1									
	Capacitor	25MFD/370V	067291512				1	1	1	1	1		1		1
	Capacitor	25MFD/440V	067291517									1		1	
N/S	Gasket- Compressor		066536201	1	1	1									
N/S	Gasket- Compressor		066536601	1	1	1									
N/S	Spring- Compressor		066536301	1	1	1									
N/S	Nut- Compressor		066536501	1	1	1									
N/S	Terminal Cover- Compressor		066537001	1	1	1									
N/S	Overload, Compressor		066536701	1											
	Overload, Compressor		066536801		1										
	Overload, Compressor		066536901			1									
N/S	Grommet		060623301	3	3	3	3	3	3	3	3	3	3	3	3
N/S	Sleeve		060623401	3	3	3	3	3	3	3	3	3	3	3	3
N/S	Nut		802012035	3	3	3	3	3	3	3	3	3	3	3	3

N/S = Not shown on diagram.

NOTE: Stand by power units— Code S (208-115V) use 208V compressors; Code R (265-115V) use 265V compressors.

Compressors- PDNS 7/2002 and later

Compressor, Mounting, Overload, Capacitor

Ref. No.	Description	Specification	Part Number	007			009			012			015		016
				115V	208V	265V	115V	208V	265V	115V	208V	265V	208V	265V	208V
1	Compressor		066531901	1											
	Compressor		066531902		1										
	Compressor		066531903			1									
	Compressor *		067281203				1								
	Compressor *		067281202					1							
	Compressor *		067281201						1						
	Compressor		060907804							1					
	Compressor		067281302								1				
	Compressor		067281301									1			
	Compressor		061043401										1		
	Compressor		061043402											1	
	Compressor		066540301												1
N/S	Capacitor	35MFD/370V	802007849	1											
	Capacitor	15MFD/440V	067291508		1	1									
	Capacitor	40MFD/370V	802007850				1								
	Capacitor	30MFD/370V	067291518					1		1					
	Capacitor	25MFD/370V	067291512						1	1			1		1
	Capacitor	25MFD/440V	067291517								1		1		
N/S	Gasket- Compressor		066536201	1	1	1	1	1	1	1	1	1			
N/S	Gasket- Nut		066536601	1	1	1	1	1	1	1	1	1			
N/S	Spring- Compressor		066536301	1	1	1	1	1	1	1	1	1			
N/S	Nut- Compressor		066536501	1	1	1	1	1	1	1	1	1			
N/S	Terminal Cover- Compressor		066537001	1	1	1	1	1	1	1	1	1			
N/S	Overload- Compressor		066536701	1											
	Overload- Compressor		066536801		1										
	Overload- Compressor		066536901			1									
	Overload- Compressor		057479601				1								
	Overload- Compressor		067299501					1							
	Overload- Compressor		067282701						1						
	Overload- Compressor		057479501							1					
	Overload- Compressor		067282801								1				
N/S	Grommet		060623301	3	3	3	3	3	3	3	3	3	3	3	3
N/S	Sleeve		060623401	3	3	3	3	3	3	3	3	3	3	3	3
N/S	Nut		802012035	3	3	3	3	3	3	3	3	3	3	3	3

N/S = Not shown on diagram.

* PDNS009, If Tecuseh compressor used in unit built before 7/02, refer to previous page for all affected components.

Compressors- PDNC

Compressor, Mounting, Overload, Capacitor

Ref. No.	Description	Specification	Part Number	007		009			012			015		016
				208V	265V	115V	208V	265V	115V	208V	265V	208V	265V	208V
1	Compressor		107630301	1										
	Compressor		107630305		1									
	Compressor		107630310			1								
	Compressor		107630302				1							
	Compressor		107630306					1						
	Compressor		107630311						1					
	Compressor		107630303							1				
	Compressor		107630307								1			
	Compressor		107630304									1		
	Compressor		107630308										1	
	Compressor		107630309											1
N/S	Capacitor, 15MFD/440V		067291508	1	1									
	Capacitor, 25MFD/370V		067291512			1	1	1	1	1		1		1
	Capacitor, 25MFD/440V		067291517								1		1	
N/S	Gasket- Compressor		066536201	1	1									
N/S	Gasket- Compressor		066536601	1	1									
N/S	Spring- Compressor		066536301	1	1									
N/S	Nut- Compressor		066536501	1	1									
N/S	Terminal Cover- Compressor		066537001	1	1									
N/S	Overload, Compressor		066536801	1										
	Overload, Compressor		066536901		1									
N/S	Grommet		060623301	3	3	3	3	3	3	3	3	3	3	3
N/S	Sleeve		060623401	3	3	3	3	3	3	3	3	3	3	3
N/S	Nut		802012035	3	3	3	3	3	3	3	3	3	3	3

N/S = Not shown on diagram.

Compressors- PDES, PDHS

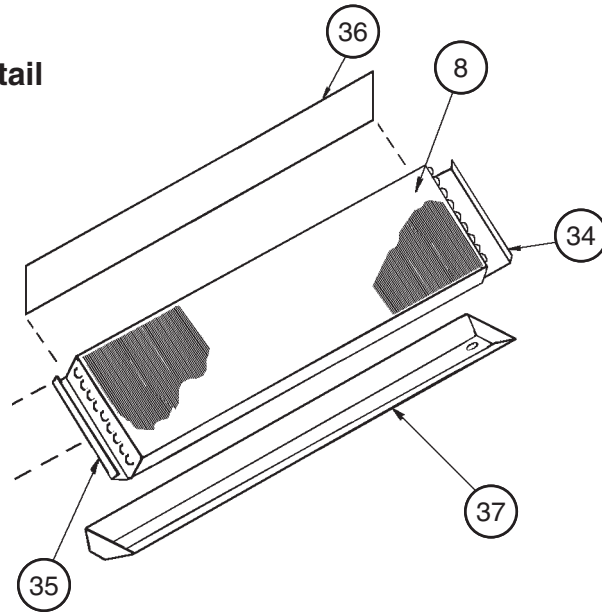
Compressor, Mounting, Capacitor

Ref. No.	Description	Specification	Part Number	009		012		015		
				208V	265V	208V	265V	208V	230V	265V
1	Compressor		061086002	1						
	Compressor		061086001		1					
	Compressor		060907801			1				
	Compressor		060907802				1			
	Compressor		061043401					1	1	
	Compressor		061043402							1
N/S	Capacitor	25MFD/370V	067291512	1	1	1		1	1	
	Capacitor	25MFD/440V	067291517				1			1
N/S	Grommet		060623301	3	3	3	3	3	3	3
N/S	Sleeve		060623401	3	3	3	3	3	3	3
N/S	Nut		802012035	3	3	3	3	3	3	3

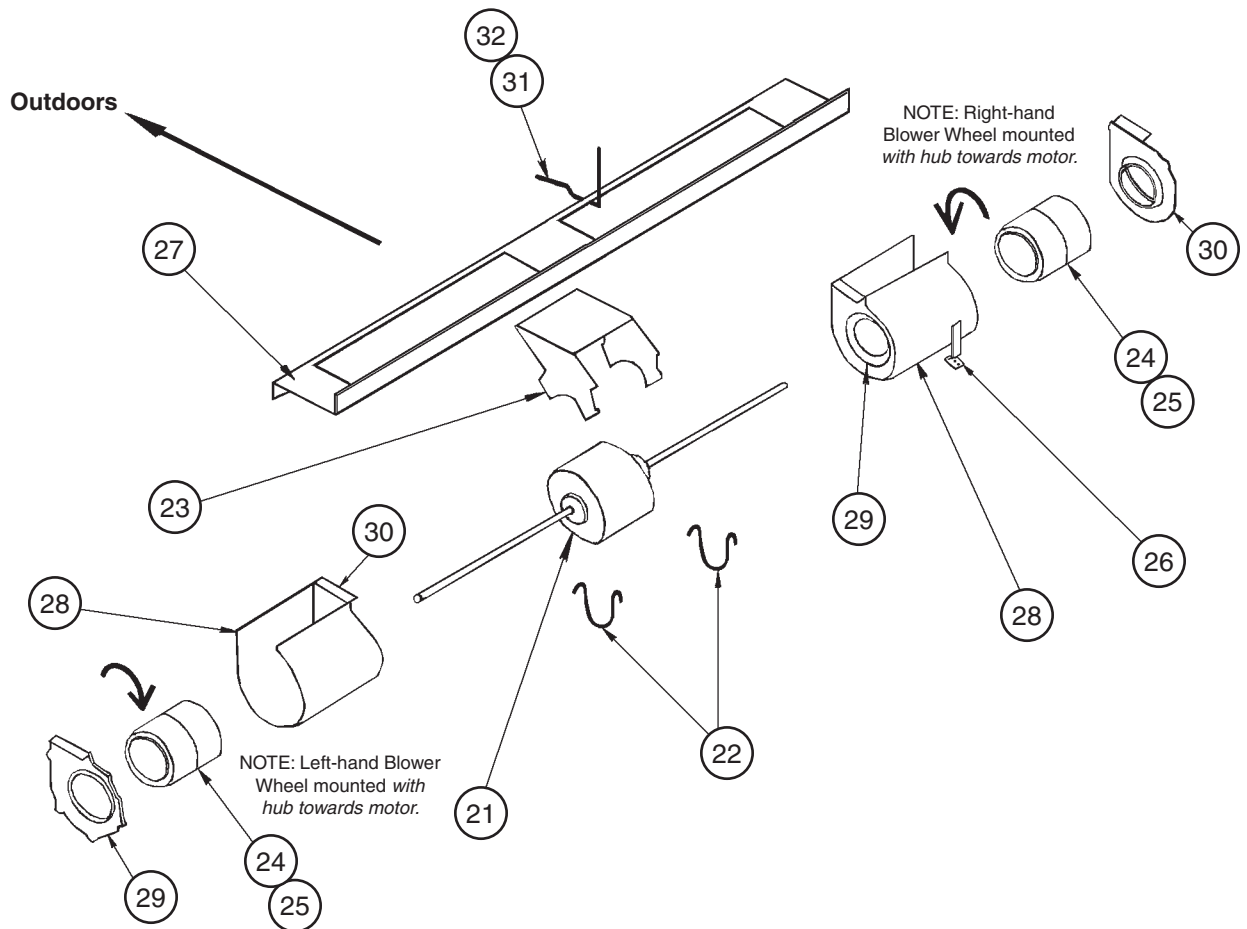
N/S = Not shown on diagram.

Indoor (Evaporator) Coil and Blower Assembly Diagrams

Coil, Drain Pan, Cover Detail



Blower Assembly Detail



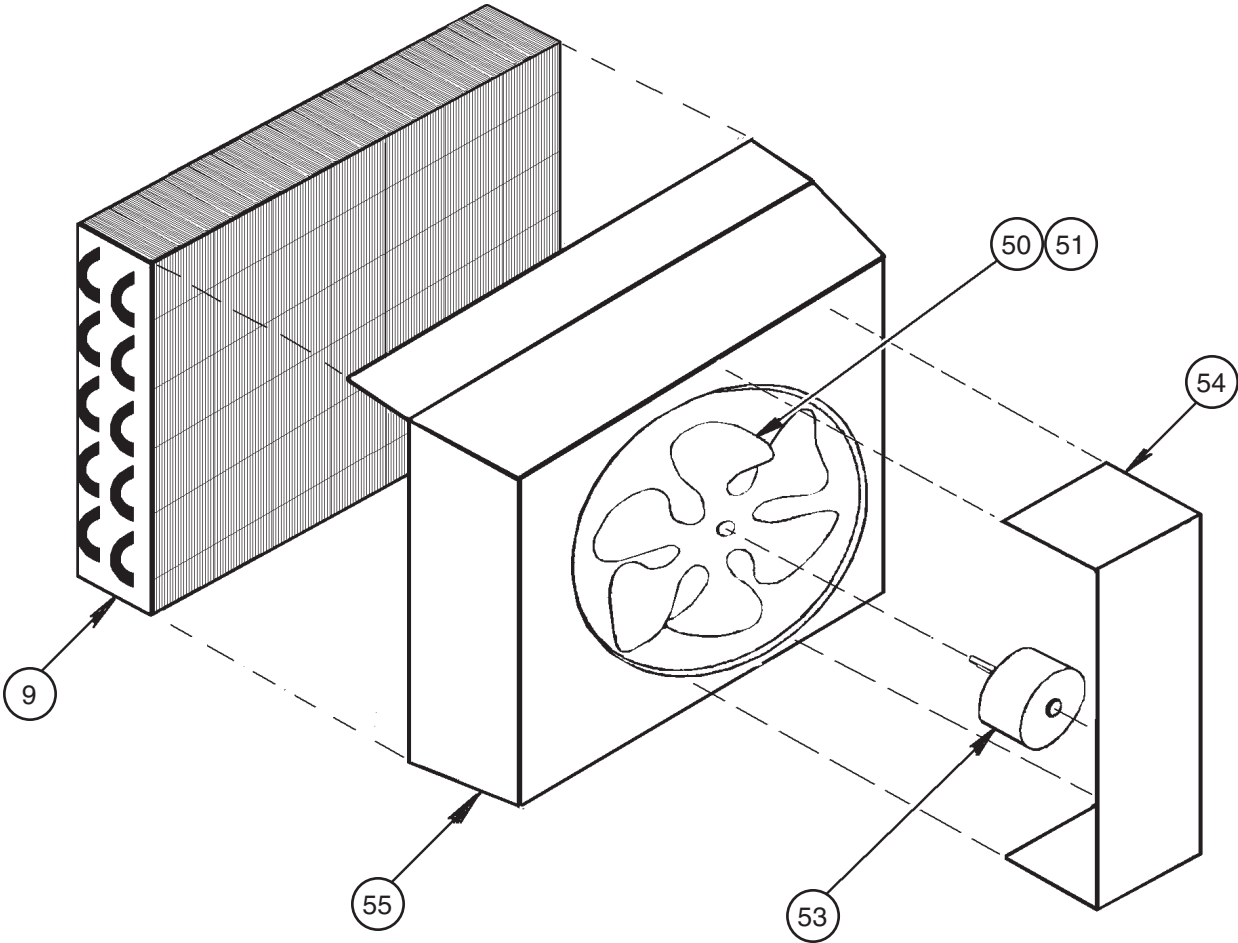
Indoor (Evaporator) Coil and Blower Assembly Components

Ref. No.	Description	Specification	Part Number	007			009			012			015			016
				115V	208V	265V	115V	208V	265V	115V	208V	265V	208V	230V	265V	208V
8	Coil- Indoor	Evaporator	056912401	1	1	1										
	Coil- Indoor	Evaporator	056916701				1	1	1							
	Coil- Indoor	Evaporator	056912601						1	1	1					
	Coil- Indoor	Evaporator	056912701									1	1	1	1	
21	Motor- Indoor ¹		060853701	1			1									
	Motor- Indoor ¹		060853702		1			1								
	Motor- Indoor ¹		060853704			1			1							
	Motor- Indoor ¹		061195801						1							
	Motor- Indoor ¹		061195802							1		1				1
	Motor- Indoor ¹		061195803										1			
	Motor- Indoor ¹		061195804								1			1		
22	Clip- Motor Mount		060900501	2	2	2	2	2	2	2	2	2	2	2	2	2
23	Mount- Indoor Motor		060871701	1	1	1	1	1	1							
	Mount- Indoor Motor		062550801							1	1	1	1	1	1	1
24	Blower Wheel- Plastic		060642001	2	2	2	2	2	2							
	Blower Wheel- Metal	L.H., CCW	056799501							1	1	1	1	1	1	1
	Blower Wheel- Metal	R.H., CW	056799401							1	1	1	1	1	1	1
25	Hub Clamp- Blower Wheel		060642002	2	2	2	2	2	2							
26	Clamp- Thermostat		802017153	2	2	2	2	2	2	2	2	2	2	2	2	2
27	Panel- Fan		060643301	1	1	1	1	1	1							
	Panel- Fan		061196401							1	1	1	1	1	1	1
28	Wrap- Scroll		060640301	2	2	2	2	2	2							
	Wrap- Scroll		061196301							2	2	2	2	2	2	2
29	Plate- Left End		820019236	2	2	2	2	2	2							
	Plate- Left End		061196201							2	2	2	2	2	2	2
30	Plate- Right End		820019237	2	2	2	2	2	2							
	Plate- Right End		061196202							2	2	2	2	2	2	2
31	Drain Tube		802028133	1	1	1	1	1	1	1	1	1	1	1	1	1
32	Snap Ring, Drain Tube		802017231	2	2	2	2	2	2	2	2	2	2	2	2	2
34	Bracket, Coil- Indoor, Right		820001932	1	1	1	1	1	1	1	1	1	1	1	1	1
35	Bracket, Coil- Indoor, Left		820001931	1	1	1	1	1	1	1	1	1	1	1	1	1
36	Cover, Coil- Indoor		055146589	1	1	1	1	1	1							
	Cover,Coil- Indoor		055146789							1	1	1	1	1	1	1
37	Drain Pan		820019306	1	1	1	1	1	1							
	Drain Pan		820019307							1	1	1	1	1	1	1
N/S	Plenum Assembly	PDNS/PDNC Only	820020348	1	1	1	1	1	1	1	1	1	1	1	1	1
	Seal- Plenum		802051163	1	1	1	1	1	1	1	1	1	1	1	1	1
	Seal- Plenum		802051164	1	1	1	1	1	1	1	1	1	1	1	1	1
	Seal, End- Plenum		802051165	2	2	2	2	2	2	2	2	2	2	2	2	2
	Filter- Plenum	34.7 x 7.38 x .34	802008120	1	1	1	1	1	1	1	1	1	1	1	1	1

N/S = Not shown on diagram.

¹ Stand By Power units— Voltage codes S, R— use 115V fan motors.

Outdoor (Condenser) Coil and Fan Diagram



Outdoor (Condenser) Coil and Fan Components

Ref. No.	Description	Specification	Part Number	007			009			012			015			016
				115V	208V	265V	115V	208V	265V	115V	208V	265V	208V	230V	265V	208V
9	Coil- Outdoor		056912301	1	1	1										
	Coil- Outdoor		056914901*				1	1	1	1	1	1	1	1	1	1
	Coil- Outdoor, Coated	PDNC Only	056886302	1	1	1	1	1	1							
	Coil- Outdoor, Coated	PDNC Only	056886502							1	1	1	1		1	1
50	Set Collar- Fan Prop		061066501	1	1	1	1	1	1	1	1	1	1	1	1	1
51	Fan Prop.- with Clamp	until 11/01	061318301	1	1	1	1	1	1	1	1	1	1	1	1	1
	Fan Prop.- with Clamp	11/01 and later	061318303	1	1	1	1	1	1	1	1	1	1	1	1	1
53	Motor- Outdoor ²		061451103	1			1			1						
	Motor- Outdoor ²		061451101		1			1			1		1	1		1
	Motor- Outdoor ²		061451102			1			1			1			1	
	Motor, Coated- Outdoor ²	PDNC Only	062242813				1			1						
	Motor- Coated- Outdoor ²	PDNC Only	062242811		1			1			1		1			1
	Motor- Coated- Outdoor ²	PDNC Only	062242812			1			1			1			1	
N/S	Capacitor- Motor	5MFD/370V	067291503	1			1			1			1 ³			
	Capacitor- Motor	4MFD/370V	067291502		1			1			1		1	1		1
	Capacitor- Motor	3MFD/440V	067291514			1			1			1			1	
N/S	Strap- Capacitor		060642202	1	1	1	1	1	1	1	1	1	1	1	1	1
54	Motor Mount	Until 11/01	061348601	1	1	1	1	1	1	1	1	1	1	1	1	1
	Motor Mount	11/01 & Later	061348605	1	1	1	1	1	1	1	1	1	1	1	1	1
55	Plenum Assy- Outdoor Coil	Plastic	061390601	1	1	1	1	1	1	1	1	1	1	1	1	1

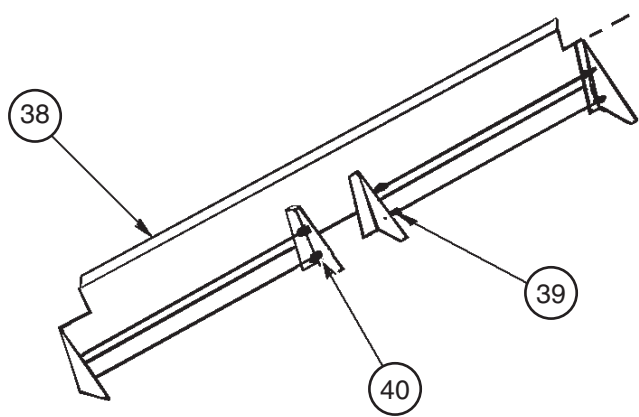
N/S = Not shown on diagram.

² 208- 115V Stand By Power unit— Voltage code S— uses 208V fan motor; 265- 115V Stand By Power unit— Voltage code R— uses 265V fan motor.

³ PDHS only, all other applications use 067291502.

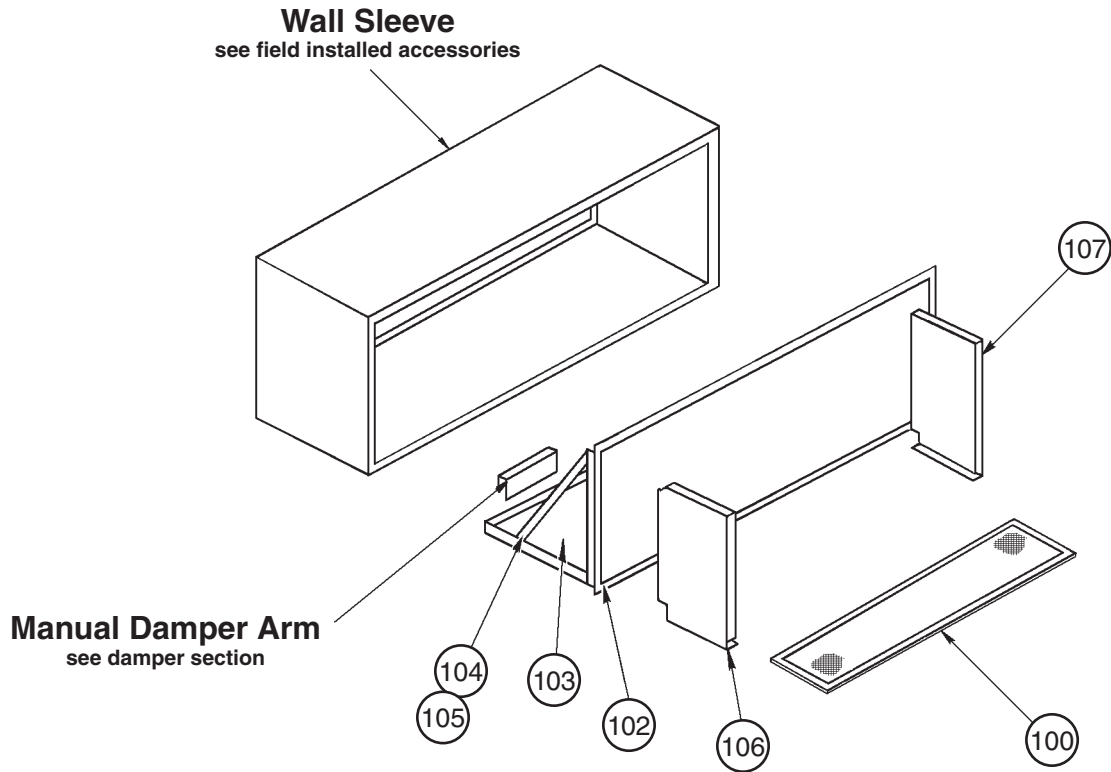
* Prior to 8/04 the 009 unit used the same coil as the 007.

Electric Heater PDES 009, 012, 015 PDHS 015



Ref. No.	Description	Specification	Part Number	009		012		015		
				208V	265V	280V	265V	208V	230V	265V
38	Heater- Electric	3.5 KW (Code 07= 41)								
	208/60/1		802021234	1						
	208/60/1		802021241			1		1		
	230/60/1		802021240						1	
	277/60/1		802021232		1					
	277/60/1		802021239				1			1
	Heater- Electric	5.0 KW (Code 07= 48)								
	208/60/1		802021243					1		
	230/60/1		802021242						1	
	277/60/1		802021241							1
39	Thermoswitch- High Limit									
	3.5 KW Heater	115°	107902501	1	1					
	3.5 KW Heater	145°	802005907			1	1	1	1	1
	5.0 KW Heater	165°	067181101					1	1	1
40	Thermoswitch- Discharge Air	PDHS Only	060641301					1	1	1

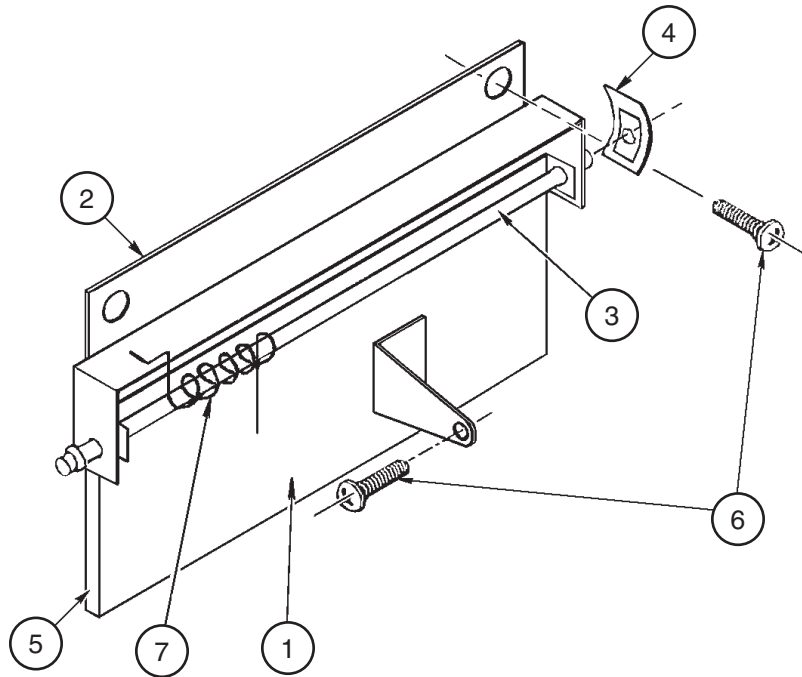
Chassis



Ref. No.	Description	Specification	Part Number	007	009	012	015	016
100	Filter- Permanent	34.69 x 7.38 x .34	802008120	1	1	1	1	1
102	Panel- Bulkhead		060643801	1	1	1	1	1
103	Base Pan	PDNS	056306401	1				
	Base Pan	PDNS/PDES	060854201		1	1	1	
	Base Pan	PDNS	060854201					1
	Base Pan	PDHS	060940801				1	
	Base Pan- Coated	PDNC	056306489	1				
	Base Pan- Coated	PDNC	106232368		1	1	1	1
104	Gusset- Left		060644101	1	1	1	1	1
105	Gusset, Right		060644102	1	1	1	1	1
106	Panel- Left End		820019228	1	1	1	1	1
107	Panel- Right End		060643201	1	1	1	1	1
N/S	Terminal Board- Chassis	TB2	061206101	1	1	1	1	1

N/S = Not shown on diagram.

Damper



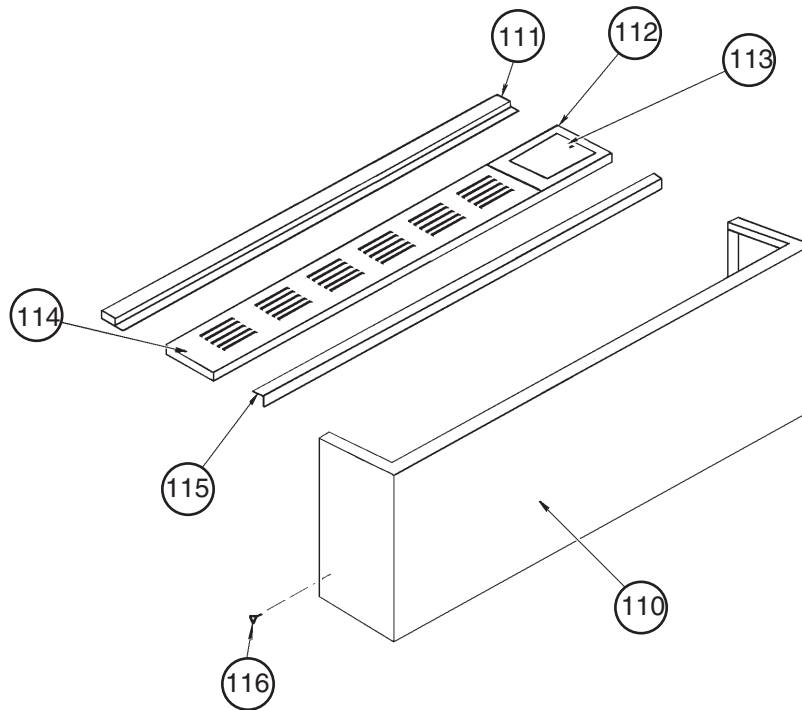
Ref. No.	Description	Specification	Part Number	007			009			012			015			016
				115V	208V	265V	115V	208V	265V	115V	208V	265V	208V	230V	265V	208V
	Damper Assembly ⁴															
	PDES/PDHS/PDNS		820019588	1	1	1	1	1	1	1	1	1	1	1	1	
	PDNC	Coated	062220403		1	1	1	1	1	1	1	1		1	1	
1	Damper Door	PDES/PDHS/PDNS	820019577	1	1	1	1	1	1	1	1	1	1	1	1	
	Damper Door- Coated	PDNC	0622282789	1	1	1	1	1	1	1	1	1		1	1	
2	Bracket- Damper Door	PDES/PDHS/PDNS	820019578	1	1	1	1	1	1	1	1	1	1	1	1	
	Bracket- Damper Door- Coated	PDNC	0622282889		1	1	1	1	1	1	1	1		1	1	
3	Rod- Hinge		802023122	1	1	1	1	1	1	1	1	1	1	1	1	
4	Clip- Tinnerman		802017075	1	1	1	1	1	1	1	1	1	1	1	1	
5	Seal- Door		802051132	1	1	1	1	1	1	1	1	1	1	1	1	
6	Screw		065822101	3	3	3	3	3	3	3	3	3	3	3	3	
7	Spring- Return		802017108	1	1	1	1	1	1	1	1	1	1	1	1	
N/S	Bugscreen		820019589	1	1	1	1	1	1	1	1	1	1	1	1	
N/S	Switch- Damper ⁵	SPST	802005045	1	1	1	1	1	1	1	1	1	1	1	1	
N/S	Channel- Operating Arm ⁵	Electric Damper	062968001	1	1	1	1	1	1	1	1	1	1	1	1	
N/S	Operating Arm	Manual Damper	060644401				1	1	1	1	1	1	1	1		
N/S	Cable- Damper Operator ⁵		820019580	1	1	1	1	1	1	1	1	1	1	1	1	
N/S	Motor- Damper ⁵	115V	802024036	1			1		1							
	Motor- Damper ⁵	208V	802024015		1				1		1				1	
	Motor- Damper ⁵	230V	802024037										1			
	Motor- Damper ⁵	265V	802024016			1			1		1			1		
N/S	Bracket- Damper Motor ⁵	PDES/PDHS/PDNS	820019529	1	1	1	1	1	1	1	1	1	1	1	1	
N/S	Bracket- Damper Motor- Coated ⁵	PDNC	105556289		1	1	1	1	1	1	1	1		1	1	

N/S = Not shown on diagram.

⁴ Items 1-7 and the bugscreen are included in the damper assembly.

⁵ Auto (Electric) damper only. Auto dampers are used with all units except PDES electric heat units.

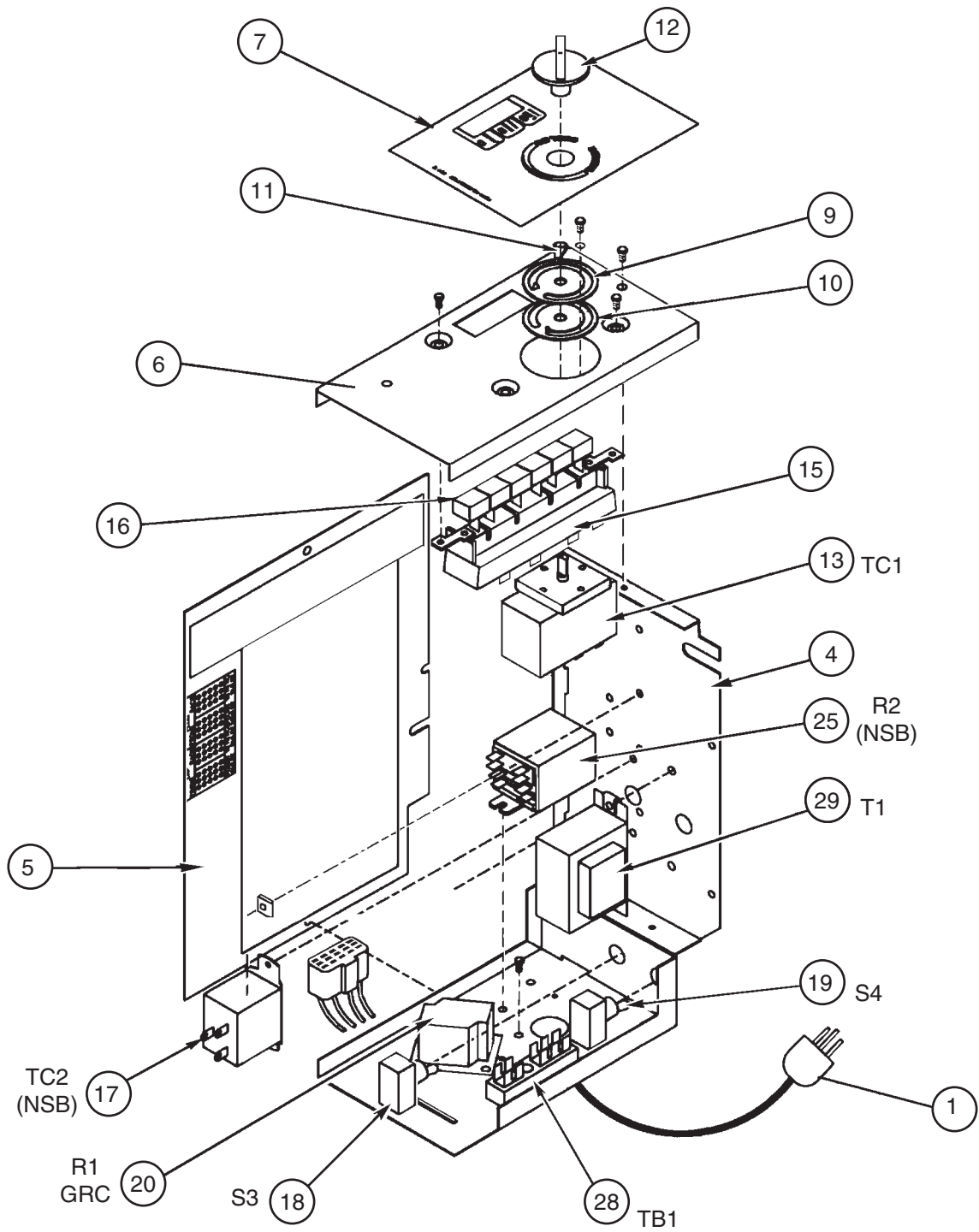
Cabinet and Front Panel PDES/PDHS



Ref. No.	Description	Part Number	009	012	015
110	Panel Assy- Front	056312590	1	1	1
111	Support- Grille, Rear	106232365	1	1	1
112	Frame- Control Door	106232309	1	1	1
113	Control Door	056389489	1	1	1
114	Grille- One Piece	106232350	1	1	1
115	Support- Grille, Front	106232310	1	1	1
116	Screw	066531001	2	2	2
N/S	Hinge Pin	802018131	1	1	1
N/S	Seal- Door	820019319	1	1	1
N/S	Angle- Retainer	056303201	2	2	2
N/S	Nut- U Spring	4NKE4	1	1	1

N/S = Not shown on diagram.

Control Box- Electromechanical Diagram (C09= 26 Shown)



Control Box- Electromechanical Unit Mounted MCO (C09= 12, 26, 24, 21) Components

Ref. No.	Description	Specification	Part Number	007			009			012			015			016
				115V	208V	265V	115V	208V	265V	115V	208V	265V	208V	230V	265V	208V
1	Power Cord															
	(see chart at end of controls section)															
4	Housing- Control		060644001	1	1	1	1	1	1	1	1	1	1	1	1	1
5	Side- Control Box	Right- Hand	820019240	1	1	1	1	1	1	1	1	1	1	1	1	1
6	Panel- Top, Control ⁶															
	Until 10/02		060779089	1	1	1	1	1	1	1	1	1	1	1	1	1
	10/02 and later		060778989	1	1	1	1	1	1	1	1	1	1	1	1	1
7	Label- Top															
	Until 10/02		106080301	1	1	1	1	1	1	1	1	1	1	1	1	1
	10/02 and later		106080201	1	1	1	1	1	1	1	1	1	1	1	1	1
9	Washer- Top		820019757	1	1	1	1	1	1	1	1	1	1	1	1	1
10	Washer- Bottom		820019758	1	1	1	1	1	1	1	1	1	1	1	1	1
11	Arm- Pivot		820019756	1	1	1	1	1	1	1	1	1	1	1	1	1
12	Knob- Gnurled		802018013	1	1	1	1	1	1	1	1	1	1	1	1	1
13	Thermostat	TC1	065829901	1	1	1	1	1	1	1	1	1	1	1	1	1
15	Switch	6 Push Button	060653301	1	1	1	1	1	1	1	1	1	1	1	1	1
16	Button for Switch	Black	1167072-8	1	1	1	1	1	1	1	1	1	1	1	1	1
	Button for Switch	White	1167072-10	3	3	3	3	3	3	3	3	3	3	3	3	3
	Button for Switch	Blue	1167072-136	1	1	1	1	1	1	1	1	1	1	1	1	1
	Button for Switch	Red	1167072-82	1	1	1	1	1	1	1	1	1	1	1	1	1
17	Thermostat- Night Setback	TC2	061096701	1	1	1	1	1	1	1	1	1	1	1	1	1
18	Switch- Toggle Fan Cycle	S3	803005091	1	1	1	1	1	1	1	1	1	1	1	1	1
19	Switch- Toggle Damper	S4	802005045	1	1	1	1	1	1	1	1	1	1	1	1	1
20	Relay- Time Delay, GRC	R1	803005119	1	1	1	1	1	1	1	1	1	1	1	1	1
25	Relay, Night Setback (NSB)	R2														
	115V		803005134	1			1			1						
	208/230V		803005121		1			1			1		1	1		1
	265V		803005120			1			1			1			1	
28	Terminal Board	TB1	802007090	1	1	1	1	1	1	1	1	1	1	1	1	1
29	Transformer	T1														
	115V		802005859	1			1			1						
	208V		802005860		1			1			1		1			1
	230V		802005861											1		
	277V		802005862			1			1			1			1	
N/S	Switch- 2 Button	Until 10/02	802005374	1	1	1	1	1	1	1	1	1	1	1	1	1
N/S	Thermoswitch (Code 7= 21 only)		061288701	1	1		1	1		1	1		1			1
N/S	Receptacle Hsg. (Code 7= 21 only) 2 Ckt.		038254801	1	1		1	1		1	1		1			1

N/S = Not shown on diagram.

⁶Pre 10/02 Top and label apply only to the PDNS/PDNC units. PDES/PDHS units have always used 060778989 & 106080201.

Control Box- Electromechanical Remote MCO (C09= 13) Components

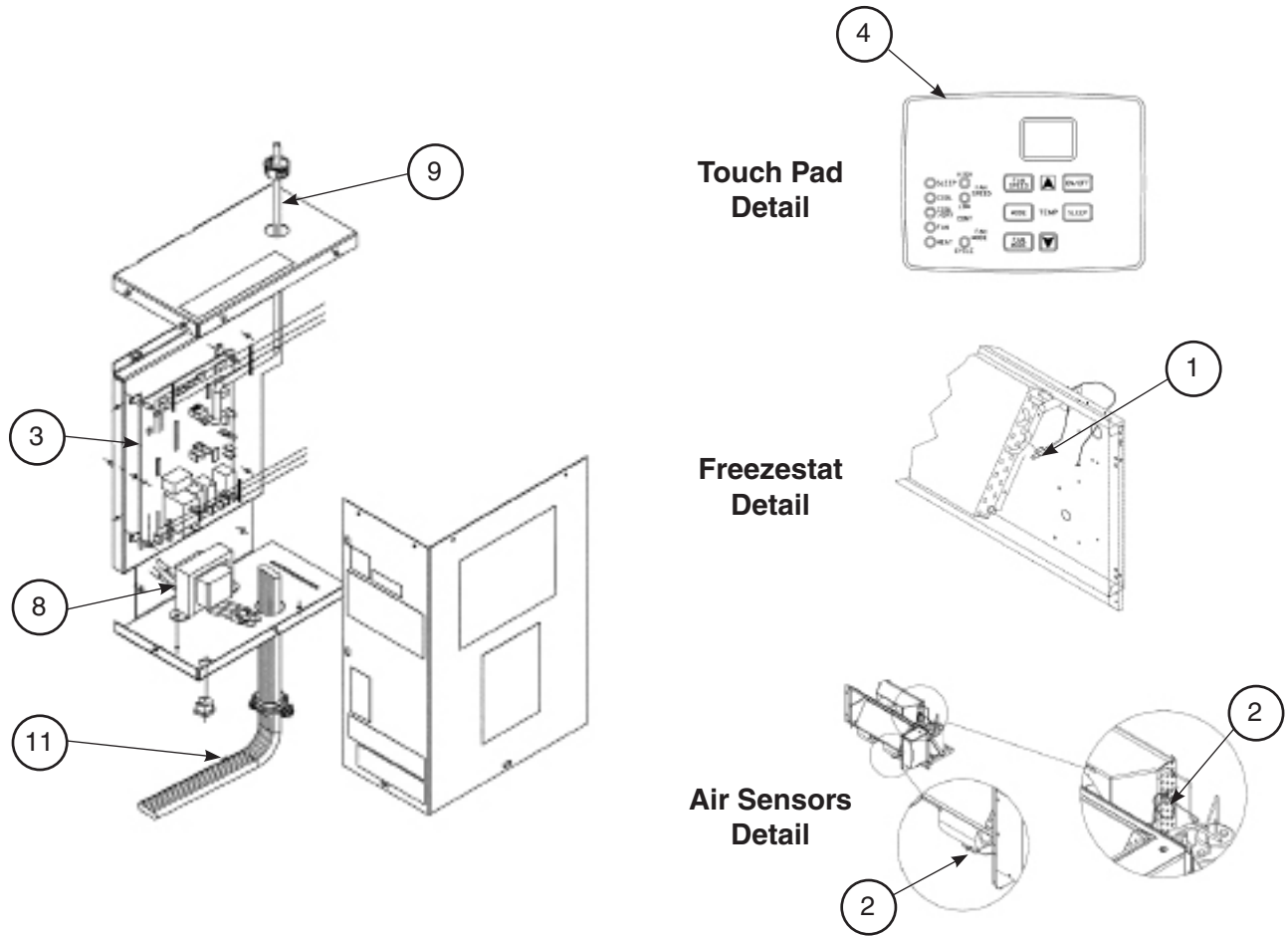
Ref. No.	Description	Specification	Part Number	007			009			012			015			016
				115V	208V	265V	115V	208V	265V	115V	208V	265V	208V	230V	265V	208V
1	Power Cord															
	(see chart at end of controls section)															
4	Housing- Control		060644001	1	1	1	1	1	1	1	1	1	1	1	1	1
5	Side- Control Box	Right- Hand	820019240	1	1	1	1	1	1	1	1	1	1	1	1	1
6	Panel- Top, Control															
	Until 8/00		060765201	1	1	1	1	1	1	1	1	1	1	1	1	1
	8/00 to10/02		060765202	1	1	1	1	1	1	1	1	1	1	1	1	1
	10/02 and later		060765212	1	1	1	1	1	1	1	1	1	1	1	1	1
18	Switch- Toggle Fan Cycle	S3	803005091	1	1	1	1	1	1	1	1	1	1	1	1	1
19	Switch- Toggle Damper	S4	802005045	1	1	1	1	1	1	1	1	1	1	1	1	1
28	Terminal Board	TB1	802007090	1	1	1	1	1	1	1	1	1	1	1	1	1
29	Transformer	T1														
	115V		802005859	1			1			1						
	208V		802005860		1			1			1		1			1
	230V		802005861											1		
	277V		802005862			1			1			1			1	
N/S	Transformer	T2														
	115V		060764701	1			1			1						
	208V		060764801		1			1			1		1			1
	230V		060764901											1		
	277V		060765001			1			1			1			1	
N/S	Switch- 2 Button	Until 10/02	802005374	1	1	1	1	1	1	1	1	1	1	1	1	1
N/S	Terminal Block	TB3														
	Until 2/00		802007055	1	1	1	1	1	1	1	1	1	1	1	1	1
	2/00 and later		106233201	1	1	1	1	1	1	1	1	1	1	1	1	1
N/S	Relay- Heat	R5	066803901	1	1	1	1	1	1	1	1	1	1	1	1	1
N/S	Relay- Fan	R6	802005819	1	1	1	1	1	1	1	1	1	1	1	1	1
N/S	Relay- Cool	R7	066803901	1	1	1	1	1	1	1	1	1	1	1	1	1
N/S	Plug, Housing	6 Ckt.	047934203	1	1	1	1	1	1	1	1	1	1	1	1	1
N/S	Receptacle, Housing	6 Ckt.	047934204	1	1	1	1	1	1	1	1	1	1	1	1	1
N/S	Plug, Housing	15 Ckt.	034622000	1	1	1	1	1	1	1	1	1	1	1	1	1

N/S = Not shown on diagram.

Control Box- Electromechanical Power Cords Components

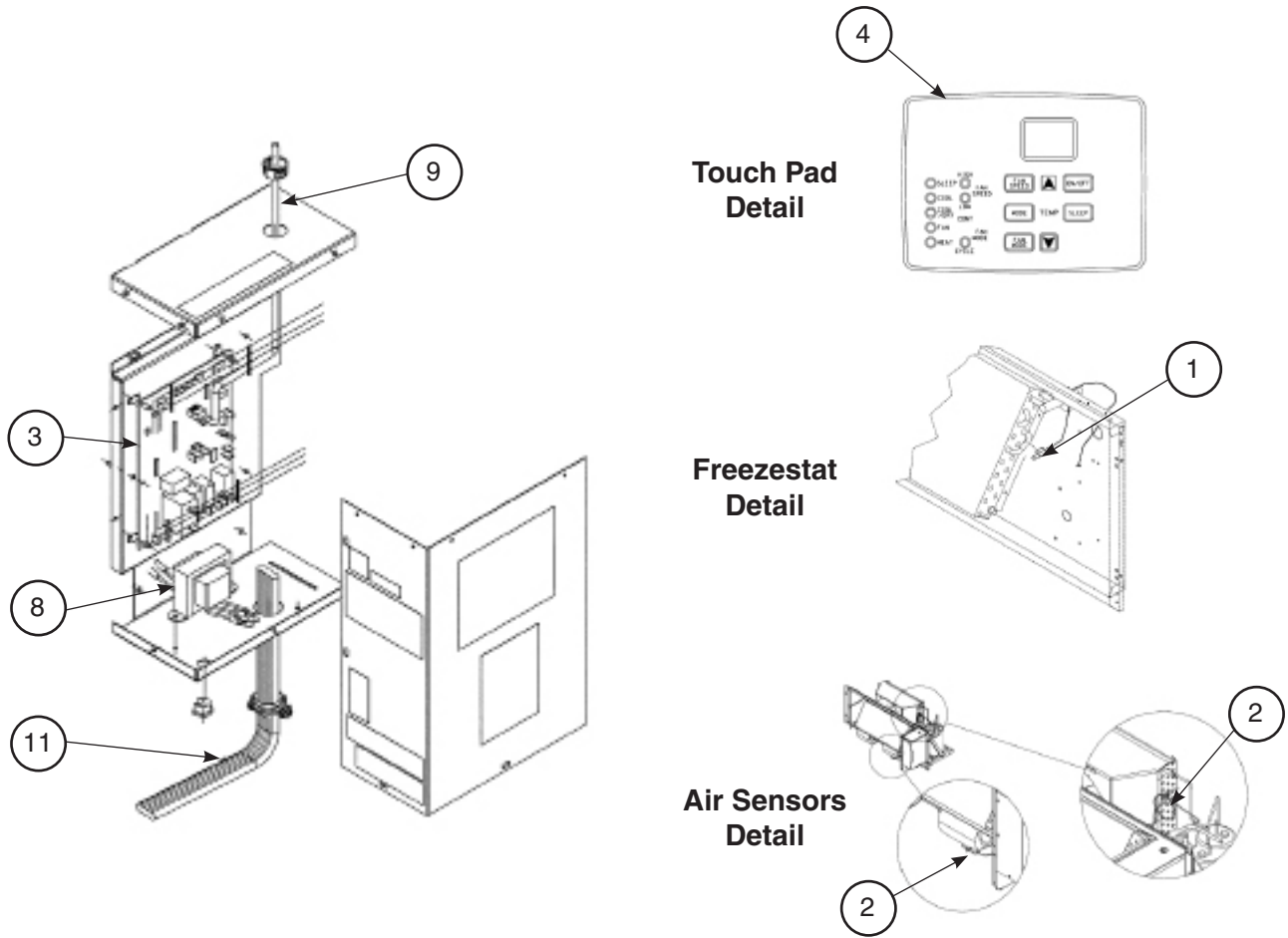
Ref. No.	Description	C05=A 115V	C05=C 208V	C05=G 230V	C05=J 277V	C05=S SB
1	Cord Set- PDNS/PDNC					
	Code 09= 12					
	Until 3/03	062218137	062218131	N/A	062218104	107849001
	3/03 and later	062218137	105564802	N/A	062218104	107849001
	Code 09= 26					
	Until 3/03	062218137	062218131	N/A	062218104	107849001
	3/03 and later	105564801	105564802	N/A	061087001	107849001
	Code 09= 21	062218137	062218131	N/A	N/A	N/A
	Code 09= 13					
	Until 7/00	062218137	062218135	N/A	062218104	N/A
	7/00 and later	062218137	062218135	N/A	062218104	N/A
	Cord Set- PDHS					
	Code 09= 26					
	3.5 KW Heat (C07= 41)	N/A	062218131	062218131	062218104	N/A
	5.0 KW Heat (C07= 48)	N/A	062218106	062218106	062218104	N/A
	Code 09= 13					
	3.5 KW Heat (C07= 41)	N/A	062218131	062218131	062218104	N/A
	5.0 KW Heat (C07= 48)	N/A	062218106	062218106	062218104	N/A
	Cord Set- PDES					
	Code 09= 12	N/A	062218131	N/A	062218104	N/A
	Code 09= 26					
	Until 3/03	N/A	062218131	062218131	062218104	N/A
	3/03 and later	N/A	105564802	105564802	061087001	N/A
	Code 09= 13	N/A	062218105	062218105	062218104	N/A

Control Box- Digital Design A (Code 09= 55, 56, 57) Components



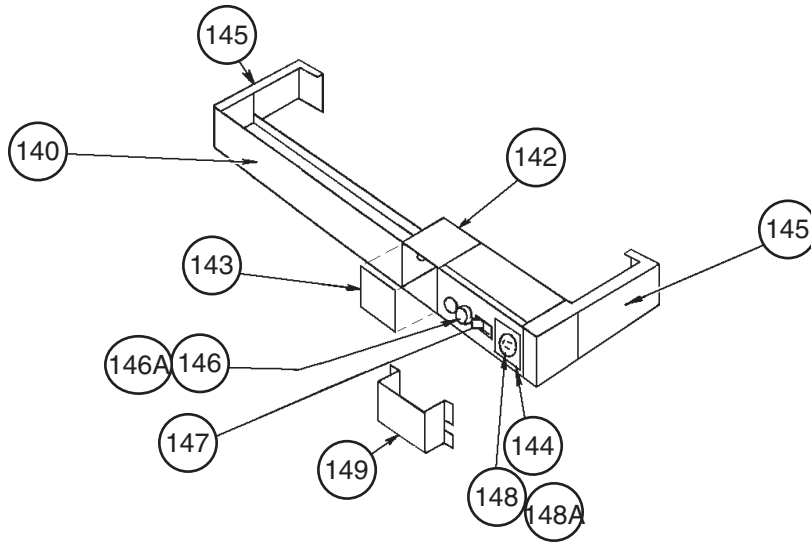
Ref. No.	Description	Specification	Part Number	115V	208/230V	265V
1	Freezestat- Coil		106873501	1	1	1
2	Control, Temperature- Air		106873601	2	2	2
3	Board- Digital Control		106878711	1	1	1
4	Touch Pad- Controller		106878901	1	1	1
8	Transformer					
	115V		060630802	1		
	208/230V		060614102		1	
	277V		060630702			1
9	Cord- Connects Touch Pad to Digital Control Board		106878801	1	1	1
11	Cord Set	20A				
	115V		668001711	1		
	208/230V		668001714		1	
	265/277V		062218104			1

Control Box- Digital Design B (Code 09= 55, 56, 57) Components



Ref. No.	Description	Specification	Part Number			
				115V	208/230V	265V
1	Freezestat- Coil		106873501	1	1	1
2	Control, Temperature- Air		106873601	2	2	2
3	Board- Digital Control		106878711	1	1	1
4	Touch Pad- Controller		106878901	1	1	1
8	Transformer					
	115V		060630802	1		
	208/230V		060614102		1	
	277V		060630702			1
9	Cord- Connects Touch Pad to Digital Control Board		106878801	1	1	1
11	Cord Set	20A				
	115V		668001711	1		
	208/230V		668001714		1	
	265/277V		062218104			1

Field Installed Accessories Electrical Subbase- All Units*



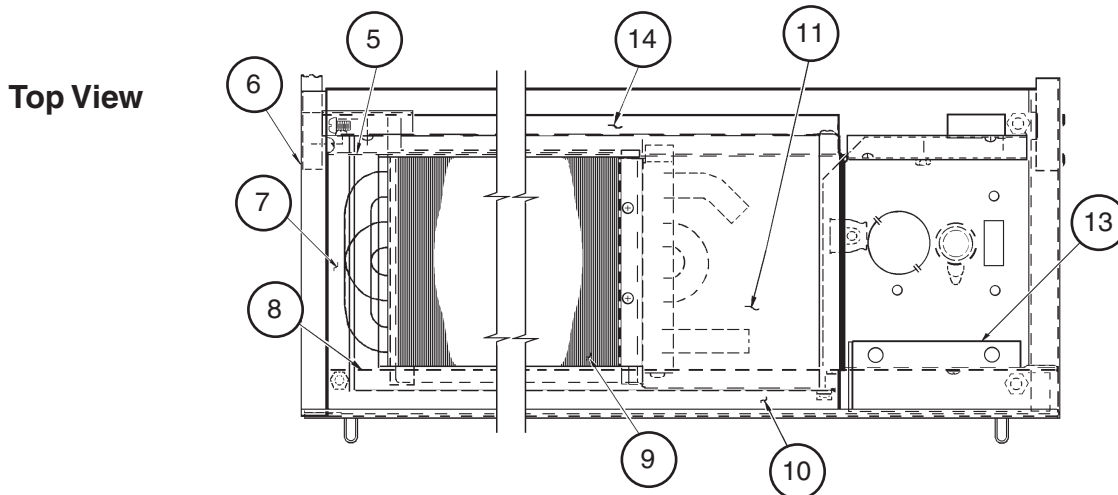
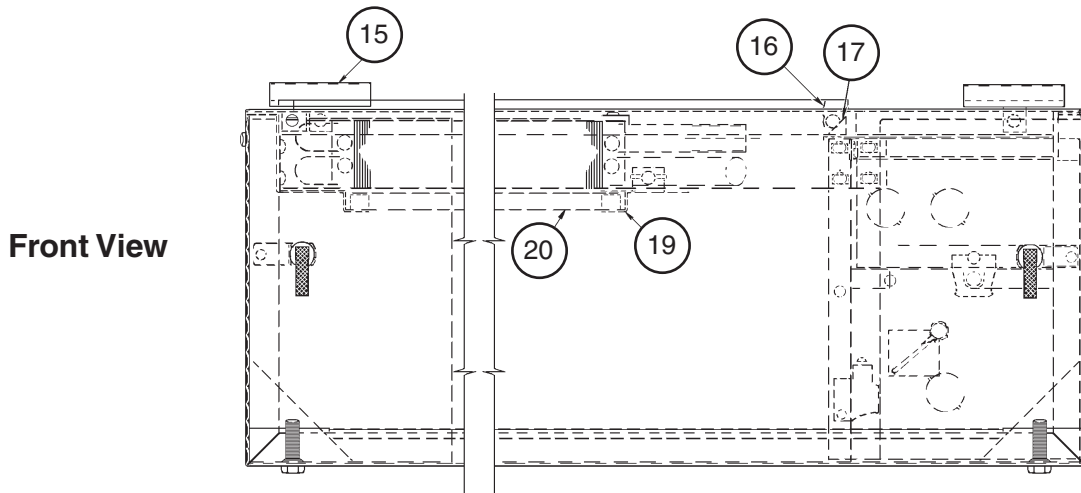
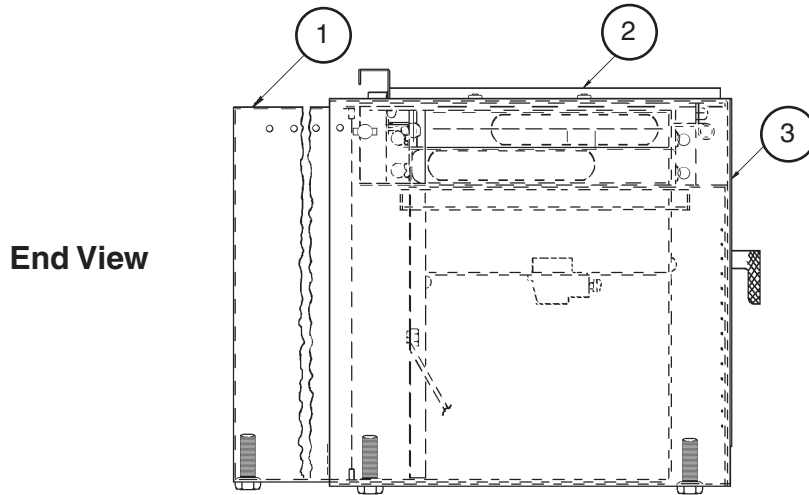
Ref. No.	Description	Specification	Part Number	007			009			012			015			016
				115V	208V	265V	115V	208V	265V	115V	208V	265V	208V	230V	265V	208V
140	Front- Subbase	3 inch	060932589				1	1	1	1	1	1	1	1	1	
	Front- Subbase	4 inch	057045789	1	1	1	1	1	1	1	1	1	1	1	1	1
142	Barrier- Electrical	3 inch	060931989				1	1	1	1	1	1	1	1	1	
	Barrier- Electrical	4 inch	060932089	1	1	1	1	1	1	1	1	1	1	1	1	1
143	Panel- Electrical Inspection	3 inch	060931589				1	1	1	1	1	1	1	1	1	
	Panel- Electrical Inspection	4 inch	060931689	1	1	1	1	1	1	1	1	1	1	1	1	1
144	Panel- Electrical Component	3 inch	060932189				1	1	1	1	1	1	1	1	1	
	Panel- Electrical Component	4 inch	106259820	1	1	1	1	1	1	1	1	1	1	1	1	1
145	Base- Rear	3 inch	060932889				2	2	2	2	2	2	2	2	2	
	Base- Rear	4 inch	060932989	2	2	2	2	2	2	2	2	2	2	2	2	2
N/S	Bracket- Subbase Mounting		106232390	2	2	2	2	2	2	2	2	2	2	2	2	2
146	Fuse Holder	15A	802007553				1	1								
	Fuse Holder	20A	802007660				1	1		1	1					
	Fuse Holder	25A/30A	802007661				1	1		1	1	1	1	1		
146A	Fuse- SC15	15A	049128306				1	1								
	Fuse- SC20	20A	049128307				1	1		1	1					
	Fuse- SC25	25A	802007163				1	1		1	1	1		1		
	Fuse- SC30	30A	049128308										1			
147	Disconnect Switch	40A	803005191					1		1		1	1			
	Disconnect Switch	30A	4EAL4022						1		1			1		
148	Receptacle	15A	802007191				1			1		1	1			
	Receptacle	20A	047139805				1			1		1	1			
	Receptacle	20A	047139802					1			1			1		
	Receptacle	25A	047139804				1			1		1	1			
148A	Plate- Receptacle		060692089				1	1		1	1	1	1	1		
149	Plug/Cord Cover		057941001					1			1			1		

N/S = Not shown on diagram.

* NOTE: Electric subbases with fused disconnect components are only used on PDES/PDHS units. PDNS/PDNC units only use 4" subbases with no fuse/disconnect switch/receptacle.

Field Installed Accessories

Hydronic Subbase- PDES 015 Hydronic Heat Unit Diagrams



Field Installed Accessories

Hydronic Subbase- PDES 015 Hydronic Heat Unit Components

Ref. No.	Description	no disconnect	w/disconnect 208/230V	w/disconnect 265V	Qty.
	Complete Assembly	107939403	107939401	107939402	
1	Kickplate	106232329	106232329	106232329	2
2	Ramp- L.H.	057045889	057045889	057045889	1
3	Front Grille Panel	105549001	105549001	105549001	1
5	Rear Support	106259825	106259825	106259825	1
6	Subbase Ass'y	107939189	107939189	107939189	1
7	End Gasket	802051195	802051195	802051195	2
8	Front Support	106259824	106259824	106259824	1
9	Coil- Hydronic	802004218	802004218	802004218	1
10	Front Gasket	802051196	802051196	802051196	1
11	Ramp- Coil Cover	106259826	106259826	106259826	1
13	Air Block-off Panel	105532789	105532789	105532789	1
14	Rear Gasket	820020761	820020761	820020761	1
15	Clip	106232338	106232338	106232338	2
16	Clamp	802017018	802017018	802017018	1
17	Gasket	056302202	056302202	056302202	1
19	Filter Bracket	106232327	106232327	106232327	1
20	Mesh Filter- 28.8 X 5.8 X .34	802008121	802008121	802008121	1
N/S	Inserts for type N units	803002181	803002181	803002181	1
N/S	Fuse Holder	N/A	802007660	802007660	2
N/S	Fuse	N/A	049128307	049128307	2
N/S	Disconnect Switch	N/A	803005191	4EAL4022	1
N/S	Cord Grip	N/A	802007928	802007928	2
N/S	Receptacle	N/A	047139805	047139802	1

N/S= Not Shown on Diagram.

N/A= Not Applicable.

Field Installed Accessories

Wall Sleeve- PDES/PDHS Units

Description	Part No.	Qty.
Wall Sleeve/Weather Panel Kit	061323602	1/pack
Coated Weather Panel Only	802002967	1/sleeve

New York City Wall Sleeve- PDNS/PDNC Units

Description	Part No.
Wall Sleeve/Weather Panel Kit	
13-3/4" Deep Antique Ivory	829008523
14-3/4" Deep Antique Ivory	105545501
15-3/4" Deep Antique Ivory	105545601
16-3/4" Deep Antique Ivory	105545701
17-3/4" Deep Antique Ivory	105545801
18-3/4" Deep Antique Ivory	105545901
20-3/4" Deep Oxford Brown	106859701
23-3/4" Deep Oxford Brown	106859701
Coated Weather Panel Only	802002967
'N' Insert Only	803002134
Wall Sleeve	
w/Continuous Flange/Level Legs 42" x 16" x 13-3/4"	105569779
w/ 3/4" High Flange 42" x 16" x 13-3/4"	105939601
w/ Brick Stop 19" Deep	105934101
w/ Brick Stop 14-3/4" Deep	105933801

52" New York City Room Cabinet- PDNS/PDNC Units

Description	Part No.
Room Cabinet w/14" Kickplate	
19-3/4" Deep Antique Ivory	105922301
Room Cabinet w/10" Kickplate	
10-3/4" Deep Antique Ivory	106259510
14-1/4" Deep Antique Ivory	105936601
Room Cabinet w/8" Kickplate	
10-3/4" Deep Antique Ivory	106259508
21-3/4" Deep Antique Ivory	105934201
Room Cabinet w/6-1/2" Kickplate	
13-1/4" Deep Antique Ivory	105936701
14-1/4" Deep Antique Ivory	105936501
Room Cabinet w/6" Kickplate	
10-3/4" Deep Antique Ivory	106259506
Room Cabinet w/4" Kickplate (standard)	
10-3/4" Deep Antique Ivory	061395501
10-3/4" Deep Antique Ivory	061395501
10-3/4" Deep Antique Ivory	061395501
10-3/4" Deep Antique Ivory	061395501
10-3/4" Deep Antique Ivory	061395501
10-3/4" Deep Antique Ivory	061395501
10-3/4" Deep Antique Ivory	061395501
10-3/4" Deep Antique Ivory	061395501
10-3/4" Deep Antique Ivory	061395501
10-3/4" Deep Antique Ivory	061395501

Field Installed Accessories

New York City Room Cabinet- PDNS/PDNC Units

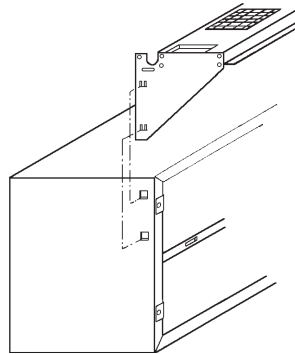
Components

Ref. No.	Description	Specification	Part Number	007	009	012	015	016
N/S	Door- Control		056389489	1	1	1	1	1
N/S	Frame- Door- Control		056389389	1	1	1	1	1
N/S	Hinge Pin		802018131	1	1	1	1	1
N/S	Seal- Door		820019319	1	1	1	1	1
N/S	Panel- Front		056389690	1	1	1	1	1
N/S	Grille- Discharge	Standard	056390989	1	1	1	1	1
N/S	Grille- 4 Way Deluxe		067280201	1	1	1	1	1
N/S	Panel- Kickplate		056397189	1	1	1	1	1
N/S	Panel- Kickplate- Side, L.H.	10"	061010820	1	1	1	1	1
	Panel- Kickplate- Side, L.H.	6"	061010809	1	1	1	1	1
	Panel- Kickplate- Side, L.H.	8"	061010801	1	1	1	1	1
	Panel- Kickplate- Side, L.H.	4" (std.)						
	10-3/4 inch deep		056948889	1	1	1	1	1
	11-3/4 inch deep		056948989	1	1	1	1	1
	12-3/4 inch deep		056949089	1	1	1	1	1
	13-3/4 inch deep		056949189	1	1	1	1	1
	14-3/4 inch deep		056949289	1	1	1	1	1
	15-3/4 inch deep		056949389	1	1	1	1	1
	16-3/4 inch deep		056949489	1	1	1	1	1
	17-3/4 inch deep		056949589	1	1	1	1	1
	18-3/4 inch deep		056949689	1	1	1	1	1
N/S	Panel- Kickplate- Side, R.H.	10"	061010920	1	1	1	1	1
N/S	Panel- Kickplate- Side, R.H.	6"	061010909	1	1	1	1	1
N/S	Panel- Kickplate- Side, R.H.	8"	061010901	1	1	1	1	1
N/S	Panel- Kickplate- Side, R.H.	4" (std.)						
	10-3/4 inch deep		056950089	1	1	1	1	1
	11-3/4 inch deep		056950189	1	1	1	1	1
	12-3/4 inch deep		056950289	1	1	1	1	1
	13-3/4 inch deep		056950389	1	1	1	1	1
	14-3/4 inch deep		056950489	1	1	1	1	1
	15-3/4 inch deep		056950589	1	1	1	1	1
	16-3/4 inch deep		056950689	1	1	1	1	1
	17-3/4 inch deep		056950789	1	1	1	1	1
	18-3/4 inch deep		056950889	1	1	1	1	1
N/S	Cabinet	10-3/4 inch	056947490	1	1	1	1	1
	Cabinet	11-3/4 inch	056947590	1	1	1	1	1
	Cabinet	12-3/4 inch	056947690	1	1	1	1	1
	Cabinet	13-3/4 inch	056947790	1	1	1	1	1
	Cabinet	14-3/4 inch	056947890	1	1	1	1	1
	Cabinet	15-3/4 inch	056947990	1	1	1	1	1
	Cabinet	16-3/4 inch	056948090	1	1	1	1	1
	Cabinet	17-3/4 inch	056948190	1	1	1	1	1
	Cabinet	18-3/4 inch	056948290	1	1	1	1	1

N/S = Not shown on diagram.

Field Installed Accessories

New York City Top Mounted Hydronic Heat Coils and Valves Components

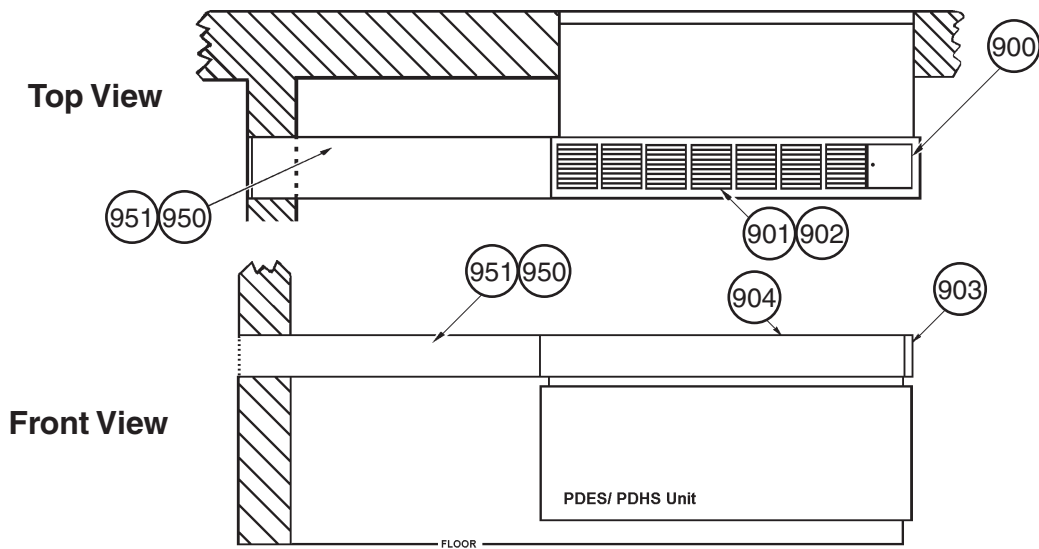


Ref. No.	Description	Specification	Part Number	007	009	012	015	016
N/S	Coil- Hot Water	Right Connections						
	Until 1/03		802004344	1	1	1	1	1
	1/03 and later		105944411	1	1	1	1	1
N/S	Coil- Hot Water	Left Connections						
	Until 1/03		802004345	1	1	1	1	1
	1/03 and later		105944412	1	1	1	1	1
N/S	Coil- Hot Water	Opposite Connections						
	Until 1/03		802004369	1	1	1	1	1
	1/03 and later		105944417	1	1	1	1	1
N/S	Coil- Steam	Right Connections						
	Until 1/03		802004347	1	1	1	1	1
	1/03 and later		105944413	1	1	1	1	1
N/S	Coil- Steam	Left Connections						
	Until 1/03		802004348	1	1	1	1	1
	1/03 and later		105944414	1	1	1	1	1
N/S	Coil- Steam	Right Supply/Left Return						
	Until 1/03		802004367	1	1	1	1	1
	1/03 and later		105944415	1	1	1	1	1
N/S	Coil- Steam	Left Supply/Right Return						
	Until 1/03		802004368	1	1	1	1	1
	1/03 and later		105944416	1	1	1	1	1
N/S	Valve- Steam, N.C., 2-Way	24V						
	Until 4/00		802026093	1	1	1	1	1
	4/00 and later	Body	106233501	1	1	1	1	1
	4/00 and later	Actuator	106233801	1	1	1	1	1
N/S	Valve- Hot Water, N.O., 2-Way	24V	802026092	1	1	1	1	1
N/S	Valve- Hot Water, N.O., 3-Way	24V						
	Body		106233601	1	1	1	1	1
	Actuator		106233801	1	1	1	1	1

N/S = Not shown on diagram.

Field Installed Accessories

Extendaire Discharge Accessories- PDES/PDHS Sizes 012, 015



Ref. No.	Description	Specification	Part Number	007	009	012	015	016
	Extendaire Primary Discharge Section Kit		061326401					
900	Control Door		056389489	1	1	1	1	1
	Frame- Control Door		056389389	1	1	1	1	1
901	Grille- 4 Way Stamped		062290989	3	3	3	3	3
	Grille- 4 Way Blankoff		062293001	4	4	4	4	4
902	Channel- Grille		062291289	1	1	1	1	1
903	End Cap		056390790	1	1	1	1	1
904	Top Assembly		056390590	1	1	1	1	1
N/S	Bottom Seal		820019923	2	2	2	2	2
N/S	Seal- B/F/R		820019924	2	2	2	2	2
N/S	Seal		820019319	1	1	1	1	1
N/S	Hinge Pin		802018131	1	1	1	1	1
	Extendaire 3' Extension Kit		061325802					
950	Front Extension Panel		057044990	1	1	1	1	1
951	Rear Extension Panel		057045090	1	1	1	1	1

N/S= Not Shown on Diagram.

Field Installed Accessories

Anodized Aluminum Louvers- All Units

Ref. No.	Description	Part Number
N/S	Flush- Stamped Louver	829008402
N/S	Architectural Louver- no end caps	066539201
N/S	Louver Frame	061054501

N/S= Not Shown on Diagram.

Chassis Levelers- All Units

Ref. No.	Description	Part No. 1- Pack	Part No. 5- Pack
N/S	Chassis Leveler		
	for Plastic G.E. Wall Sleeve	105541901	105541905
	for Trane/ Amana Wall Sleeve	105541902	105541906

N/S= Not Shown on Diagram.

Indoor/Outdoor Drain Kit- PDES/PDHS Units

Ref. No.	Description	Part Number
N/S	Drain Kit- Heat Pumps	105542701

N/S= Not Shown on Diagram.

Receptacles and Plug Covers

Description	Unit Voltage	Kit PN	Receptacle Only	Unit Model Application
15A Receptacle	208/230V	105542501	802007191	PDES/PDHS
20A Receptacle	208/230V	105542502	047139805	ALL
30A Receptacle	208/230V	105542503	047139804	PDES/PDHS/PDNS
20A Receptacle	265V	105542504	047139802	PDES/PDHS
Plug/Cord Cover	265V	057941001	N/A	PDES/PDHS

Critical McQuay OEM Parts Are What Your McQuay HVAC Unit Needs!

Suite II Flat Top Incremental PTAC PDES Sizes 009-015, Design A PDHS Size 015, Design A PDNC PDNS Sizes 007 - 16 Designs A&B

CRITICAL COMPONENTS		MODEL	UNIT SIZE	VOLTAGE	PART NUMBER
COMPRESSOR					
Cmpr, 6670 BTUH		PDNS	007	115/60/1	066531901
Cmpr, 6625 BTUH		PDNC, PDNS	007	208/60/1	066531902
Cmpr, 6625 BTUH		PDNC, PDNS	007	265/60/1	066531903
Cmpr, 9200 BTUH		PDNS	009	115/60/1	061086003
Cmpr, 9200 BTUH	Until 7/02	PDNS	009	115/60/1	061086003
Cmpr, 9165 BTUH	7/02 & later	PDES, PDNS	009	115/60/1	067281203
Cmpr, 9100 BTUH		PDES, PDHS, PDNC	009	208-230/60/1	061086002
Cmpr, 9100 BTUH	Until 7/02	PDES, PDNS	009	208/60/1	061086002
Cmpr, 9100 BTUH	7/02 & later	PDNS	009	208/60/1	067281202
Cmpr, 9100 BTUH		PDES, PDHS, PDNC	009	277/60/1	061086001
Cmpr, 9100 BTUH	Until 7/02	PDNS	009	277/60/1	061086001
Cmpr, 9100 BTUH	7/02 & later	PDNS	009	277/60/1	067281201
Cmpr, 11700 BTUH		PDNC, PDNS	012	115/60/1	060907804
Cmpr, 11350 BTUH		PDES, PDHS, PDNC	012	208-230/60/1	060907801
Cmpr, 11350 BTUH	Until 7/02	PDNS	012	208/60/1	060907801
Cmpr, 11350 BTUH	7/02 & later	PDNS	012	208/60/1	067281302
Cmpr, 11700 BTUH		PDES, PDHS, PDNC	012	277/60/1	060907802
Cmpr, 11700 BTUH	Until 7/02	PDNS	012	277/60/1	060907802
Cmpr, 11700 BTUH	7/02 & later	PDNS	012	277/60/1	067281301
Cmpr, 15500 BTUH		ALL	015	208-230/60/1	061043401
Cmpr, 15500 BTUH		ALL	015	277/60/1	061043402
Cmpr, 17700 BTUH		ALL	016	208/60/1	066540301
INDOOR MOTOR					
Motor	1/16 HP	ALL	007, 009	115/60/1	060853701
Motor	1/16 HP	ALL	007, 009	208/60/1	060853702
Motor	1/16 HP	ALL	007, 009	277/60/1	060853704
Motor	1/20 HP	ALL	012	115/60/1	061195801
Motor	1/20 HP	ALL	012, 015, 016	208/60/1	061195802
Motor	1/20 HP	ALL	015	230/60/1	061195803
Motor	1/20 HP	ALL	012, 015	277/60/1	061195804
BLOWER WHEEL					
Wheel, Plastic		ALL	007, 009	N/A	060642001
Wheel, Metal	CCW	ALL	012, 015, 016	N/A	056799501
Wheel, Metal	CW	ALL	012, 015, 016	N/A	056799401

Call Your Local McQuay Parts Distributor For All Your Parts Needs.
To Locate A Distributor, Go To www.mcquay.com or Call 1-800-37PARTS



Critical McQuay OEM Parts Are What Your McQuay HVAC Unit Needs!

Suite II Flat Top Incremental PTAC
 PDES Sizes 009-015, Design A
 PDHS Size 015, Design A
 PDNC PDNS Sizes 007 - 16 Designs A&B

CRITICAL COMPONENTS		MODEL	UNIT SIZE	VOLTAGE	PART NUMBER
CONDENSER MOTOR					
Motor	1/8 HP	ALL	007- 012	115/60/1	061451103
Motor	1/8 HP	ALL	007- 016	208/60/1	061451101
Motor	1/8 HP	ALL	007- 015	277/60/1	061451102
Motor Coated	1/8 HP	PDNC	009, 012	115/60/1	062242813
Motor Coated	1/8 HP	PDNC	007- 016	208/60/1	062242811
Motor Coated	1/8 HP	PDNC	007- 015	277/60/1	062242812
CONDENSER WHEEL					
Fan Prop	until 11/01	ALL	ALL	N/A	061318301
Fan Prop	11/01 & later	ALL	ALL	N/A	061318303
REVERSING VALVE					
Reversing Valve	until 4/05	PDHS	015	208/230/277/60/1	066533701
Reversing Valve	4/05 & later	PDHS	015	208/230/277/60/1	106694102

Call Your Local McQuay Parts Distributor For All Your Parts Needs.
 To Locate A Distributor, Go To www.mcquay.com or Call 1-800-37PARTS

