

Replacement Parts List No. 047654300
Revision S 07/11

Applied Rooftop

RPS, RCS, RFS
Sizes 018-100
Vintage B

RBS, RDS, RHS, RWS
Sizes 800-808
Vintage B

McQuay[®]
International
a member of **DAIKIN** group

To find your McQuay parts distributor, call 1-800-377-2787 or visit www.mcquay.com

Table of Contents

Parts List Revision History	4
Unit Model & Serial Number Nomenclature	5
Unit Nomenclature Complete	6- 8
Model R*S Electrical Legend	9, 10
Control Box Component Location Diagram	11
Condenser Section	
Condenser Control Box Diagrams	12, 13
Compressor Contactor Components	14
Condenser Fan Motor Contactor Components	15
Miscellaneous Components	16, 17
Compressor Pressure Controls	18
Fan Assembly	19
Refrigerant Piping	20
Compressor Model Information	21
Miscellaneous Compressor Components	22
Coils	
Condensing Coils	23
Direct Expansion Evaporator Coils	
Single Draw-through Evaporator Coil / Unit Sizes 018B-030B, 82.00"	24
Single Blow-through Evaporator Coil / Unit Sizes 036B-040B / 82.00"	25
Single Blow-through Evaporator Coil / Unit Sizes 041B-100B / 82.00"	26
Dual Blow-through Evaporator Coil / Unit Sizes 081B-100B / 82.00"	27
Upper Main Control Panel	
Unit Controller Diagrams - All sizes	28
Diagram and Components - All sizes	29-31
Lower Main Control Panel	
Component Location Diagram - All Sizes	32
Components - All Sizes	33- 49
Miscellaneous Controls	
Control Locations	50
Components	51
Electric Heat Control Panel	52
Electric Heat Power Panel	
Diagram & Components	53
Components - All Sizes	54- 57
Hi-Limit, Disc Type	58
Gas Burner Section	
Forced Draft Burner (FDB Vintage A)	
Gas Burner Final Assembly	59- 61
Burner Components	62, 63
Control Box Diagrams & Components	64
Gas Control Box Diagrams & Components, FDB110A thru 200A	65
Gas Train Components	66
Supply Air Fan	
Supply Air Drive Nomenclature	67
Forward Curved (FC) Fan - 15"	68
Forward Curved (FC) Fan - 24"	69
Forward Curve (FC) Fans - 27" & 30"	70
Airfoil (AF) Fans & Variable Inlet Fans - 24"	71
Airfoil (AF) Fans & Variable Inlet Fans - 27" & 30"	72
Forward Curve (FC) Fans	73- 75
Airfoil (AF) & Variable Inlet Fans	76- 78
Variable Inlet Vanes	79- 81

Table of Contents, Continued

Return Air Fan	
Return Air Drive Nomenclature	82
Forward Curve (FC) Fan - 15"	83
Forward Curve (FC) Fan - 18"	84
Forward Curve (FC) Fan - 27"	85
Forward Curve (FC) Fan - 33"	86
Airfoil (AF) Fans - Variable Inlet Fans - 18"	87
Airfoil (AF) & Variable Inlet Fans - 27"	88
Airfoil (AF) & Variable Inlet Fans - 33"	89
Airfoil (AF) Fan-Horizontal Mount - 40"	90
Variable Inlet Vanes - Horizontal Mount	91
Variable Inlet Vanes	92, 93
Typical Blower	94
Supply Air Blower	
Spring Vibration Mounts	95- 102
Return Air Blower	
Spring Vibration Mounts	103- 107
Fan Blower Motors - Supply & Return Air	108
Filter Selection	
Diagrams	109
Charts	110, 111
Economizer Damper	
Standard Type Damper	112,113
Low Leak Type Damper	114,115
Bottom Discharge Air & Return Air Opening Dampers	116,117
Miscellaneous Cabinetry	
Diagrams	118
Components	119
Wall Mounted Controls and Accessories	120

Parts List Revision History

Revision	Date	Description
A	4/98	Supersedes Replacement Parts List No. 476543Y-00 dated 4/89. Includes new information. Completely re-done to be consistent with OnLine/CD format.
B	2/99	Page 60: Corrected part number for Fan Wheel Housing, Variable Inlet Fan (Bubble #35).
C	12/99	Page 48: Corrected description for Enthalpy Control (Electromechanical) and added Enthalpy Control (Electronic), Schematic Symbol EC1.
D	8/00	Page 16: Added motor, 1.5 hp, 3 ph, 575/6/3, p/n 046744200.
E	2/01	Page 105: Bub #11 Damper Blade part #'s changed; 37.08" was 058386821, is now 044195101; 57.08" was 058386822, is now 044195102; 81.08" was 058386823, is now 044195103.
F	7/01	Page 39-46: Added note; "DUE TO UNIT SPECIALS - Request vendor information and contact SMG in Minneapolis".
G	5/02	Pages 66 & 67: Bubbles 69 and 70 were switched.
H	9/03	Page 23: Model number was incorrect in table heading, 610B is now 061B.
J	10/04	Page 18: Removed Copeland compressor information.
K	9/05	Page 56: Schematic Symbol R13 pn 280036200 was changed to 028036200. Page 28: Added footnote #1.
L	1/06	Page 18: Removed note from compressor table.
M	7/06	Page 48: Schematic symbol TC4 pn changed from 0276672500 to 027672500.
N	11/08	Pages 39-46: Note change from SMG in Minneapolis to McQuay Parts. Pages 96, 97, 98: Added the word "Return" to heading. Page 3: Added the word "Return" to Fan Blower Motors - Supply & Air in TOC.
O	12/09	Updated Cover and Revision page with current logo design. Page 78: Corrected Bub 97 p/n from 0665434242 to 066543242.
P	3/10	Page 48: Changed description of "Type of Unit Control system" for DM1 & EM1 from "All Types" to "Honeywell/Conventional". No DM1 or EM1 available for MicroTech controls.
Q	11/10	Converted form to current software and corrected various formatting issues. Removed all references to Figure numbers. Page 2, 3: Updated TOC as required. Page 5: Created new page titled: "Unit Model & Serial Number Nomenclature". Page 6- 8: Added Unit Model Nomenclature Complete section. Page 9, 10: Renamed "Model R*S Legend" section "Model R*S Electrical Legend." Page 59- 66: Updated Gas Burner section with information from RPL 552260Y-00 and IM684-1. Page 67: Added SAF drive nomenclature page per dwg: 299460C00 and repaginated document. Page 82: Added RAF drive nomenclature page per dwg: 299460C00 and repaginated document. Page 93- 107: Added footnote regarding the changes in spring colors and to contact McQuay Parts for current configuration. Page 108: Updated motor section by deleting obsolete ODP standard efficiency motor p/ns. Repaginated document
R	3/11	Various: Corrected misc. spelling and formatting issues. Page 67: Updated fan size list to include codes A, 2, 4, 5, 6, 7, 8, 9 only. Page 82: Corrected Fan Size Code 3 from 22 " to 40 " Re-wrote footnotes to clarify information.
S	7/11	Page 118: Updated and re-arranged drawings and added Bubble numbers. Page 119: Added additional cabinet p/ns per archived information and soft bills.

Unit Model & Serial Number Nomenclature

Model Number

R P S - 030 B E

ROOFPACK

UNIT CONFIGURATION

- P = Heating, Mechanical Cooling
- F = Heating, Future Mechanical Cooling
- C = Condensing Section Only
- W = Heating, Water Cooling
- H = Heating Only
- B = Blow-through Air Handler
- D = Draw-through Air Handler

SINGLE ZONE UNIT

HEAT TYPE

- A = Natural Gas
- E = Electric
- F = Fuel Oil
- S = Steam
- W = Hot Water
- Y = None (Cooling Only)

DESIGN VINTAGE

NOMINAL CAPACITY (TONS)

OR

CABINET SIZE

RPS, RFS, RCS:

RBS, RDS, RHS, RWS:

018, 020, 025, 030	800
036, 040	802
041, 051, 060, 070	804
061, 071, 080	806
081, 090, 100	808

Serial Number

3 7A 12345 01

Engineering Revision

Serial Number

Factory

3= Faribault, MN

Year and Month of Manufacture

Year	Month
U= 1989	A= Jan.
V= 1990	B= Feb.
W= 1991	C= Mar.
X= 1992	D= Apr.
Y= 1993	E= May
Z= 1994	F= Jun
5= 1995	G= Jul
6= 1996	H= Aug
7= 1997	J= Sep.
8= 1998	K= Oct.
9= 1999	L= Nov.
	M= Dec.

Unit Nomenclature Complete

R*S***B A 27 AL D Y YA Y 1 E104 Y J21F1 1 B S11YY A Y YYYYY 1M YYYY YYYY
 Code 03 04 05 06 07 08 09 10 11 12 13 14 15 16 17 18 19 20 21 22

A YYYYYY UUY A 1 YYYY A A 00
 23 24 25 26 27 28 29 30 31

Code 03= Type of Heat

- Y= No Heat
- A= Natural Gas
- B= Propane
- E= Electric
- F= Fuel Oil
- S= Steam
- W= Hot Water
- X=Special

Code 04= Electric Power Supply

- 12= 208/60/3
- 29= 230/60/3
- 28= 380/50/3
- 27= 460/60/3
- 37= 575/60/3
- 44= 415/50/3

Code 05= Starting Option

- AL= Across the Line
- PW= Part Winding Start (Compressors only)
- PP= Part Winding Start (Compressors & Fan Motors)

Code 06=Compressor Type

- D= Discus
- Y= Reed

Code 07= SA/RA Fan Motor Type

- Y= Standard Efficiency
- H= High Efficiency

Code 08= Capacity Control

- Digit 1 (Number of Unloaders Furnished)
 - Y= 1 (018-036) & 0 (040-100)
 - 1= 2 (025-071) & 3 (080-100)
 - 2= 3 (051), 4 (060-071), 5 (080-081), & 6 (090-100)
 - X= Special
- Digit 2 (Method of Control)
 - A= Compressor from Remote, Unloaders from Pressure Control
 - C= Compressors and Unloaders from Remote, No Pressure Control
 - X= Special

Code 09= Hot Gas Bypass

- Y= None
- 1= Capacity Control Circuit #1
- 2= Capacity Control Circuits #1 & 2
- 3= Capacity Control Circuits #1, 2, 3
- X= Special

Code 10= Compressor Isolation

- Y= None (RFS Only)
- 1= Resilient (RPS Only)
- 2= Spring (RPS Only, includes Vibration Eliminators on Piping)

Code 11= Cooling Specification

- E001= Std. Evap Coil (2 Row 018-030, 3 Row 036-100)
- E003= 3 Row Evap Coil (018-030 Only)
- E103= 3 Row Evap Coil (10 FPI)
- E123= 3 Row Evap Coil (12 FPI)
- E004= 4 Row Evap Coil
- E084= 4 Row Evap Coil (8 FPI)
- E104= 4 Row Evap Coil (10 FPI)
- E124= 4 Row Evap Coil (12 FPI)
- E005= 5 Row Evap Coil (8 FPI)
- E085= 5 Row Evap Coil (8 FPI, 018-040 Only)
- E105= 5 Row Evap Coil (10 FPI)
- E125= 5 Row Evap Coil (12 FPI)

Code 12= Optional MicroTech Hardware

- Y= None
- M= Phone Modem

Code 13= Supply (SA) Fan Drive ¹

- ****= 5 Digit Drive Code

Code 14= Air Discharge

- 1= Bottom
- X= Special

Code 15= Air Return

- B= Bottom
- F= Back
- X= Special

Code 16= Heating Specifications

- YYYYY= None
- XXXXX= Special
- Electric Heat (Multi-Stage)

E02Y3= 20KW	E21Y3= 210KW
E03Y3= 30KW	E22Y3= 220KW
E04Y3= 40KW	E24Y3= 240KW
E06Y3= 60KW	E27Y3= 270KW
E08Y3= 80KW	E28Y3= 280KW
E09Y3= 90KW	E30Y3= 300KW
E10Y3= 100KW	E32Y3= 320KW
E12Y3= 120KW	E33Y3= 330KW
E14Y3= 140KW	E36Y3= 360KW
E15Y3= 150KW	E40Y3= 400KW
E16Y3= 160KW	E44Y3= 440KW
E18Y3= 180KW	E48Y3= 480KW
E20Y3= 200KW	

¹ See Supply Air Drive Code Nomenclature section.

Unit Nomenclature Complete, Continued

Code 16= Heating Specifications, Continued

Gas Furnace

Digit 1-3 (BTU Output)

020= 200MBH	079= 800MBH
025= 250MBH	080= 800MBH
032= 320MBH	100= 1000MBH
040= 400MBH	110= 1100MBH
050= 500MBH	140= 1400MBH
064= 640MBH	150= 1500MBH
065= 650MBH	200= 2000MBH

Digit 4 (Heat Exchanger Material)

A, B, C, D= Stainless Steel Primary, Aluminum Secondary

S, T, U, V= Stainless Steel Primary, Stainless Steel Secondary

Digit 5 (Burner Type)

A= One Stage Gas- Electronic
C= Two Stage Gas- Electronic
E= Modulating Gas- Electronic
G= One Stage Fuel Oil- Cad Cell
H= One Stage Fuel Oil- Electronic
J= Two Stage Fuel Oil- Cad Cell
K= Two Stage Fuel Oil- Electronic

Steam

Digit 1-3 (Coil)

S11= 5JA0601H, OR 8JA0601B
S12= 5JA1201H, OR 8JA1201B

Digit 4 (2-Way Valve Size)

D= 1"	H= 2 1/2"
E= 1 1/4"	J= 3"
F= 1 1/2"	Y= None
G= 2"	

Digit 5 (Valve Control)

Y= None
M= Modulating w/ Spring Open

Hot Water

Digit 1-3 (Coil)

W11= 4WH1201H, OR 5WH0901H
W22= 4WS1202H, OR 5WS0902C

Digit 4 (2-Way Valve Size)

D= 1"	H= 2 1/2"
E= 1 1/4"	J= 3"
F= 1 1/2"	Y= None
G= 2"	

Digit 5 (Valve Control)

Y= None
M= Modulating w/ Spring Open

Code 17= Filters

Y= None
A= 2" Throwaway (Angular Rack)
B= 2" Cleanable (Angular Rack)
C= D OR E Less Filters (Rack Only)
D= 45% OR 65% Eff. Cartridge/Bag Type w/ Prefilters (Flat Rack)
E= 95% Eff. Cartridge/Bag Type w/ Prefilters (Flat Rack)
F= A AND/OR B Less Filters (Angular Rack)
G= 2" 35% Eff. Pleated Throwaway (Angular Rack)
X= Special

Code 18= Damper Control

Y= None
A= 0-30% OA, Manual Operation
B= 0-100% OA, Manual Operation
C= 0-100% OA, Remote Rheostat
D= 0-100% Economizer Package
G= 0-100% Economizer Package w/ RA Smoke Control
H= 0-100% Economizer Package w/ RA & SA Smoke Control
X= Special

Code 19= Return (RA) Fan Drive ¹

YYYYY= None
*****= 5 Digit Drive Code

Code 20= Temperature Control Packages

YY= None
20= Honeywell W973
30= Field Supplied Discharge Air Control
31= Honeywell W7100
1M, 2M, 4M= MicroTech Control

Code 21= Remote Control Panel

Digit 1 (System Signal)

Y= None
1= Heat Fail
2= Cool Fail
3= 1 AND 2
X= Special

Digit 2 (Fan Signal)

Y= None
1= Fan On
X= Special

Digit 3 (Valve Control)

Y= None
1= With Filter Switch
X= Special

Digit 4 (Remote Potentiometer)

Y= None
1= With Remote Potentiometer
X= Special

Code 22= Auxiliary Control Packages

Digit 1 (Smoke Control)

Y= None
1= Shut down Fan(s) AND Close Dampers
2= Shut down SA Fan, Close Return Dampers, AND Run RA Fan
X= Special

Digit 2 (Morning Warmup)

Y= None
1= Energize one Stage Full Heat, Close OA Dampers, AND Lock Out Cooling
X= Special

Digit 3 (Freezestat)

Y= None
1= Shut Down Fan(s), Close OA Dampers AND Open Valve Full Thru Coil
X= Special

Digit 4 (Reset)

Y= None
1= Reset From Outside air Signal
2= Reset From Space/Return Air Signal (Field Installed)
X= Special

¹ See Return Air Drive Code Nomenclature section.

Unit Nomenclature Complete, Continued

Code 23= Disconnect Switch

Y= None
A= Integral Disconnect Switch (Non-Auto)
X= Special

Code 24= Air Flow Control Packages

Non-MicroTech Control: Code 20= 30, 31

Digit 1 (Type of System)

Y= None
D= Discharge Damper
V= Inlet Vane
X= Special

Digit 2 (Type of Control)

Y= None
E= Electronic
F= Floating
X= Special

Digit 3 (Number of Sensors)

Y= None
1- 6= Number of included Sensors
X= Special

Digit 4 (Remote Potentiometer)

Y= None
M= Unit Mounted
X= Special

Digit 5 Remote Return)

Y= None
1= With Remote Return
X= Special

Digit 6 (Remote Metering)

Y= None
1= With Remote Metering
X= Special

MicroTech Control: Code 20= 1M, 2M, 4M

Digit 1 (Type of System)

Y= None
D= Discharge Damper
V= Inlet Vane
X= Special

Digit 2 (Type of Control)

Y= None
M= MicroTech
X= Special

Digit 3 (Number of Sensors)

Y= None
1= 1 Duct
2= 2 Duct
3= 1 Duct AND 1 Space
4= 1 Space
X= Special

Digit 4 (Remote Potentiometer)

Y= None
X= Special

Digit 5 (No Requirement)

Y= None
X= Special

Digit 6 (No Requirement)

Y= None
X= Special

Code 25= Approval Listing

Digit 1 (Unit Approval)

Y= None
C= ETL/Canada OR CSA/MEA
E= ETL/MEA
L= LA Code
U= UL

Digit 2 (Burner Approval)

Y= None
C= ETL-C (0-2000 Feet Altitude) OR CSA
D= ETL-C (2000-4500 Feet Altitude) OR CSA
U= UL

Digit 3 (Burner Approval)

Y= None
A= FIA
F= FM

Digit 4 (No Requirement)

Y= None

Code 26= Parts Warranty

A= Standard One Year Parts
C= Extended One Year Parts/Two Year Total
Z=Special

Code 27= Packaging

1= Steel Skid
D= Open Crate
F= Sheathed Crate
S= Split Unit
Z= Same as 1 except Consolidated Shipment
X=Special

Code 28= Miscellaneous

YYYY= None
1111= Oil Circulating Tank: Code 03= F
2005= High Pressure Regulator 0.5 Min. Inlet Pressure
2010= High Pressure Regulator 1.0 Min. Inlet Pressure
2020= High Pressure Regulator 2.0 Min. Inlet Pressure
2030= High Pressure Regulator 3.0 Min. Inlet Pressure
2050= High Pressure Regulator 5.0 Min. Inlet Pressure
2075= High Pressure Regulator 7.5 Min. Inlet Pressure
2100= High Pressure Regulator 10.0 Min. Inlet Pressure
XXXX= Special

Code 29= Compressor Warranty

A= Standard One Year Compressor
Q= Extended Four Year Compressor/Five Year Total
Z=Special

Code 30= Heat Exchanger Warranty

Y= None
A= Standard One Year Heat Exchanger
R= Extended Nine Year Heat Exchanger/Ten Year Total
Z=Special

Code 31= Latest Code Sheet Revision

**= Two Digit Code

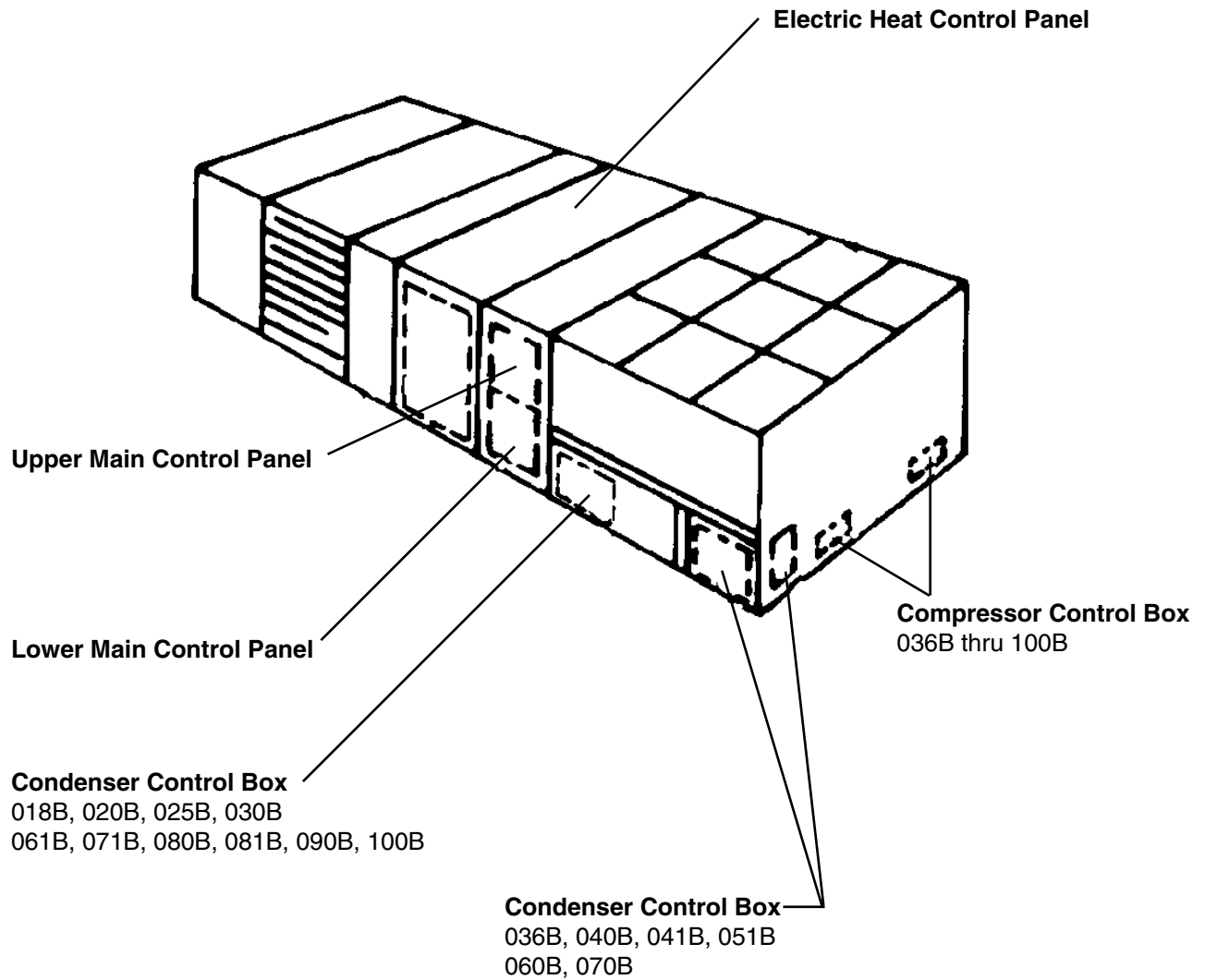
Model R*S Electrical Legend

Designation	Description	Standard Location
ACT1	ACTUATOR MOTOR SUPPLY FAN (VANE OR DAMPER)	SUPPLY AIR SECTION
ACT2	ACTUATOR MOTOR RETURN FAN (VANE OR DAMPER)	RETURN AIR SECTION
AS	BLOWER AIR SWITCH	FURNACE SECTION
AUX	AUXILIARY ALARM CKTS. FSG	FURNACE SECTION
BM	BURNER BLOWER MOTOR	FURNACE SECTION
CS1, 2, 3	SWITCHES, REFRIGERANT CKTS.	CONDENSER CONTROL BOX
CP1	CENTRAL PROCESSOR	MAIN CONTROL BOX
DAC1	DISCHARGE AIR CONTROLLER	MAIN CONTROL BOX
DAS1	DISCHARGE AIR SATELLITE	MAIN CONTROL BOX
DHL	DUCT HIGH LIMIT	EVAPORATOR SECTION
DM1	DAMPER MOTOR OUTSIDE AIR	DAMPER SECTION
DS1	DISCONNECT SWITCH, MAIN (W/ ELECTRIC HEAT)	ELECTRIC HEAT SECTION
DS1	DISCONNECT SWITCH, MAIN (W/O ELECTRIC HEAT)	MAIN CONTROL BOX
DT1	DISCHARGE AIR TEMPERATURE SENSOR	DISCHARGE AIR SECTION
EC1	ENTHALPY CONTROL	ECONOMIZER SECTION
EM1	ECONOMIZER MOTOR	ECONOMIZER SECTION
EMS	ENERGY MANAGEMENT SYSTEM	MAIN CONTROL BOX
EPC	ELECTRONIC PRESSURE CONTROL	MAIN CONTROL BOX
ES1	ELECTRONIC SEQUENCER	ELECTRIC HEAT SECTION
FB1,2,3	FUSE BLOCK, COMPRESSOR MOTORS	CONDENSER CONTROL BOX
FB4,5,6,7,8	FUSE BLOCK, CONDENSER FAN MOTORS	CONDENSER CONTROL BOX
FB 9,10	FUSE BLOCK, SUPPLY AIR FAN MOTOR	MAIN CONTROL BOX
FB11,12	FUSE BLOCK, RETURN AIR FAN MOTOR	MAIN CONTROL BOX
FB13	FUSE BLOCK, CONTROL POWER	MAIN CONTROL BOX
FB24,25,26,27	FUSE BLOCK, ELECTRIC HEAT	ELECTRIC HEAT CONTROL BOX
FD	FLAME DETECTOR	FURNACE SECTION
FLC	FAN LIMIT CONTROL	FURNACE SECTION
FPS	FLOATING PRESSURE SWITCH	SUPPLY AIR OUTLET
FSG	FLAME SAFEGUARD	FURNACE SECTION
FS1	FREEZESTAT CONTROL	EVAPORATOR SECTION
F1	FUSE, CONTROL CIRCUIT	MAIN CONTROL BOX
F2	FUSE, BURNER MOTOR	MAIN CONTROL BOX
GF1	GROUND FAULT INTERRUPTER	MAIN CONTROL BOX
GRD	GROUND	MAIN CONTROL BOX
GV1	PILOT GAS VALVE	FURNACE SECTION
GV2	MAIN GAS VALVE	FURNACE SECTION
HL1,2,3,4,5,6,7,8,9,10,11,12	ELECTRIC HEATER LIMITS	ELECTRIC HEAT CONTROL BOX
HL13,14,15,16	LINEAR LIMIT, ELECTRIC HEAT	ELECTRIC HEAT CONTROL BOX
HP	HIGH PRESSURE CONTROL	PRESSURE CONTROL BOX CONDENSER
HP4	HIGH PRESSURE SWITCH	FURNACE SECTION
HS	HEATING SWITCH, ELECTRIC	MAIN CONTROL BOX
HTR1,2,3	CRANKCASE HEATER	ON COMPRESSORS
IT	IGNITION TRANSFORMER	FURNACE SECTION
LP	LOW PRESSURE SWITCH	FURNACE SECTION
LP4	LOW PRESSURE SWITCH	FURNACE SECTION
LT1	LIGHT DUCT HI-LIMIT	MAIN CONTROL BOX
LT2	FURNACE ON LIGHT	FURNACE SECTION
LT3	PILOT GAS VALVE ON LIGHT	FURNACE SECTION
LT4	MAIN GAS VALVE ON LIGHT	FURNACE SECTION
MJ	MECHANICAL JUMPER	TERMINAL BLOCKS
MP	COMPRESSOR MOTOR PROTECTOR	COMPRESSOR CONTROL BOX
M1,2,3,4,5,6,7	CONTACTORS, COMPRESSOR	CONDENSER CONTROL BOX
M9,10,11,12,13,14,15,16,17,19	CONTACTORS, CONDENSER FANS	CONDENSER CONTROL BOX
M20, 21	CONTACTORS, SUPPLY FAN MOTOR	MAIN CONTROL BOX
M22,23	CONTACTORS, RETURN FAN MOTOR	MAIN CONTROL BOX
M24,25,26,27	CONTACTOR, ELECTRIC HEAT POWER	ELECTRIC HEAT CONTROL BOX
M28	CONTACTOR, BURNER MOTOR	FURNACE SECTION
NB	NEUTRAL BLOCK	CONTROL BOX
NSB	NIGHT SETBACK	MAIN CONTROL BOX
OA	OUTSIDE AIR POTENTIOMETER	MAIN CONTROL BOX
OL1,2	OVERLOAD SUPPLY FAN MOTOR	MAIN CONTROL BOX
OL3,4	OVERLOAD RETURN FAN MOTOR	MAIN CONTROL BOX
OP	OIL PRESSURE CONTROL	PRESSURE CONTROL BOX CONDENSER
PC1,2	PRESSURE CONTROL UNLOADERS	PRESSURE CONTROL BOX CONDENSER
PC3	CLOGGED FILTER INDICATOR	FILTER SECTION
PC4	AIRFLOW SWITCH	COIL SECTION

Model R*S Electrical Legend, Continued

Designation	Description	Standard Location
PCB	PRINTED CIRCUIT BOARD	SUPPLY AIR OUTLET
POT1,2,3	POTENTIOMETER COMPRESSOR LOCKOUT (0-8 MIN.)	CONDENSER CONTROL BOX
PR	PARALLELED RELAY (ACT 2)	RETURN AIR SECTION
PS1,2,3	PUMPDOWN SWITCHES	CONDENSER CONTROL BOX
PTC1	PROPORTIONAL TEMP. CONTROL ECONOMIZER	ECONOMIZER SECTION
REC	RECEPTACLE	MAIN CONTROL BOX
R1,2,3	COMPRESSOR LOCKOUT RELAYS	CONDENSER CONTROL BOX
R5,6,7,9,10,11	UNLOADER CONTROL RELAYS	CONDENSER CONTROL BOX
R14	HIGH STAGE HEAT RELAY	HEAT SECTION
R16	SUPPLY FAN RELAY	MAIN CONTROL BOX
R17	ECONOMIZER RELAY	MAIN CONTROL BOX
R18,19,43	COOL RELAYS	MAIN CONTROL BOX
R20,21,27	HEAT RELAYS	MAIN CONTROL BOX
R22	COOLING INTERLOCK, SUPPLY FAN	MAIN CONTROL BOX
R23	HEATING INTERLOCK, SUPPLY FAN	MAIN CONTROL BOX
R24,25,44	COOL ALARM RELAYS	MAIN CONTROL BOX
R26	NIGHT SETBACK RELAY	MAIN CONTROL BOX
R28,29,30,31	ELECTRIC HEAT RELAY	HEAT SECTION
R32,33,34,35	HEAT RECLAIM RELAYS	MAIN CONTROL BOX
R36,37	SMOKE DETECTOR RELAY	MAIN CONTROL BOX
R38,39	HUMIDISTAT RELAYS	MAIN CONTROL BOX
R41	DUCT HI-LIMIT RELAY	MAIN CONTROL BOX
R42	FLOATING PRESSURE CONT. RELAY	MAIN CONTROL BOX
R45,46	HEAT FAIL ALARM RELAYS (OIL)	FURNACE SECTION
R51,52,53	COMPRESSOR INTERLOCK RELAYS	MAIN CONTROL BOX
R54	WATER MODE CYCLE RELAY	MAIN CONTROL BOX
R55	WATER MODE CYCLE RELAY	CONDENSER CONTROL BOX
R56	WATER CONDENSER FREEZE RELAY	MAIN CONTROL BOX
R60-70	SPECIALS	MAIN CONTROL BOX
SD1	SMOKE DETECTOR, RETURN AIR	RETURN AIR SECTION
SD2	SMOKE DETECTOR, SUPPLY AIR	SUPPLY AIR SECTION
SL1	SOLENOID DOOR LOCK	CONDENSER CONTROL BOX
SL1	SOLENOID DOOR LOCK	MAIN CONTROL BOX
SPS1,2,3,4,5,6	STATIC PRESSURE SENSORS	SUPPLY AIR OUTLET
SR1,2,3,4	SEQUENCER RELAYS, ELECTRIC HEAT	ELECTRIC HEAT SECTION
SS1	SATELLITE SEQUENCER	MAIN CONTROL BOX
SV1,2,5	SOLENOID VALVES, LIQUID LINE	CONDENSER SECTION
SV3,4,6	SOLENOID VALVES, HOT GAS BYPASS	CONDENSER SECTION
SV7,8,9	SOLENOID VALVES, WATER CONDENSER	CONDENSER SECTION
SV10,11,12	SOLENOID VALVES, AIR CONDENSER	CONDENSER SECTION
S1	SYSTEM SWITCH	MAIN CONTROL BOX
S2	FURNACE TERMINAL BLOCK	MAIN CONTROL BOX
TB1	POWER TERMINAL BLOCK	MAIN CONTROL BOX
TB2	TERMINAL BLOCK, 24V, CUSTOMER	MAIN CONTROL BOX
TB4,5	TERMINAL BLOCK, CONDENSER	CONDENSER CONTROL BOX
TB6	TERMINAL BLOCK, HEATING	MAIN CONTROL BOX
TB7,8	TERMINAL BLOCK, CONDENSER & MAIN CONTROL	MAIN CONTROL BOX
TB9	TERMINAL BLOCK, 24V, FACTORY	MAIN CONTROL BOX
TB10	TERMINAL BLOCK, VANE OR DAMPER CONTROL	MAIN CONTROL BOX
TB11,12,13	TERMINAL BLOCK, ELECTRIC HEAT POWER	ELECTRIC HEAT SECTION
TB14	TERMINAL BLOCK, BURNER	FURNACE SECTION
TC1,2,3	FANTROL THERMOSTATS	CONDENSER CONTROL BOX
TC4	FIRESTAT, RETURN AIR	ECONOMIZER SECTION
TC5	FIRESTAT, SUPPLY AIR	MAIN CONTROL BOX
TC6	CHANGEVER STAT, COOLING, SUMMER & WINTER	MAIN CONTROL BOX
TC8	WATER COND. FREEZESTAT	MAIN CONTROL BOX
TC10	MORNING WARMUP	FILTER SECTION
TD1,2,3	TIME DELAY, COMPRESSOR LOCKOUT (0-8 MINUTES)	CONDENSER CONTROL BOX
TD5,6,7	TIME DELAY, PART WINDING COMPRESSOR	CONDENSER CONTROL BOX
TD8	TIME DELAY, PART WINDING, SUPPLY AIR	MAIN CONTROL BOX
TD9	TIME DELAY, PART WINDING, RETURN AIR	MAIN CONTROL BOX
T10	TIME DELAY, OIL VALVE	FURNACE SECTION
T12,13,14	TIME DELAY, WATER CONDENSER	CONDENSER CONTROLBOX
T1	MAIN CONTROL TRANSFORMER	MAIN CONTROL BOX
T2	24V CONTROL TRANSFORMER	MAIN CONTROL BOX
T3	ECONOMIZER TRANSFORMER	MAIN CONTROL BOX
T4,5	ELECTRIC HEAT CONTROL TRANSFORMER	ELECTRIC HEAT SECTION
T6	TRANSFORMER, VANE OR DAMPER CONTROL	MAIN CONTROL BOX
U1,2	UNLOADERS	COMPRESSOR
VM1	VALVE MOTOR, HEATING	HEAT SECTION
VM2	VALVE MOTOR, COOLING	COOLING SECTION

Control Box Component Location Diagram

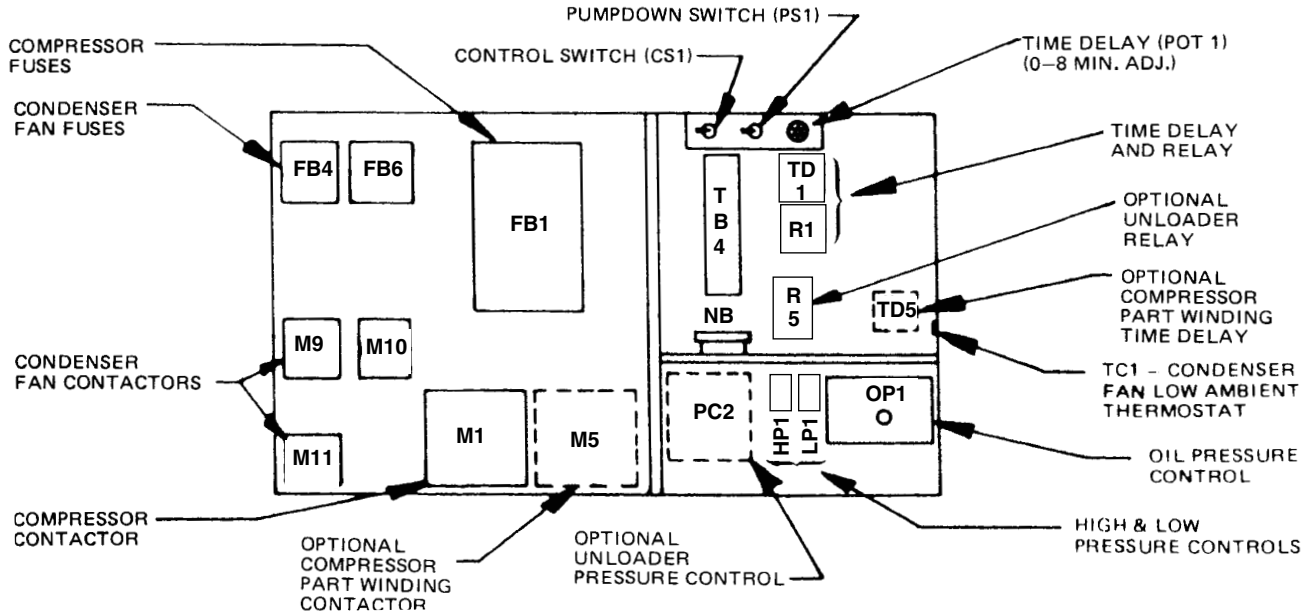


Condenser Section

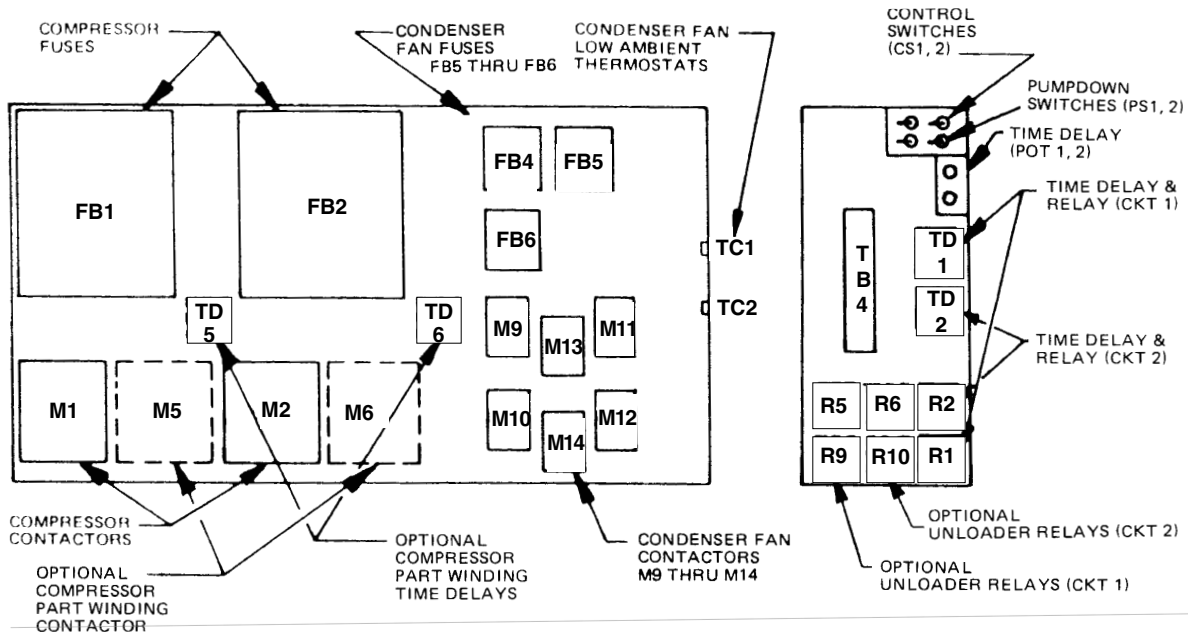
Condenser Control Box Diagrams

NOTE: See Control Box Component Location diagram for reference

Condenser Control Box - Sizes 018B, 020B, 025B, 030B



Condenser Control Box - Sizes 036B, 040B, 041B, 051B, 060B, 070B

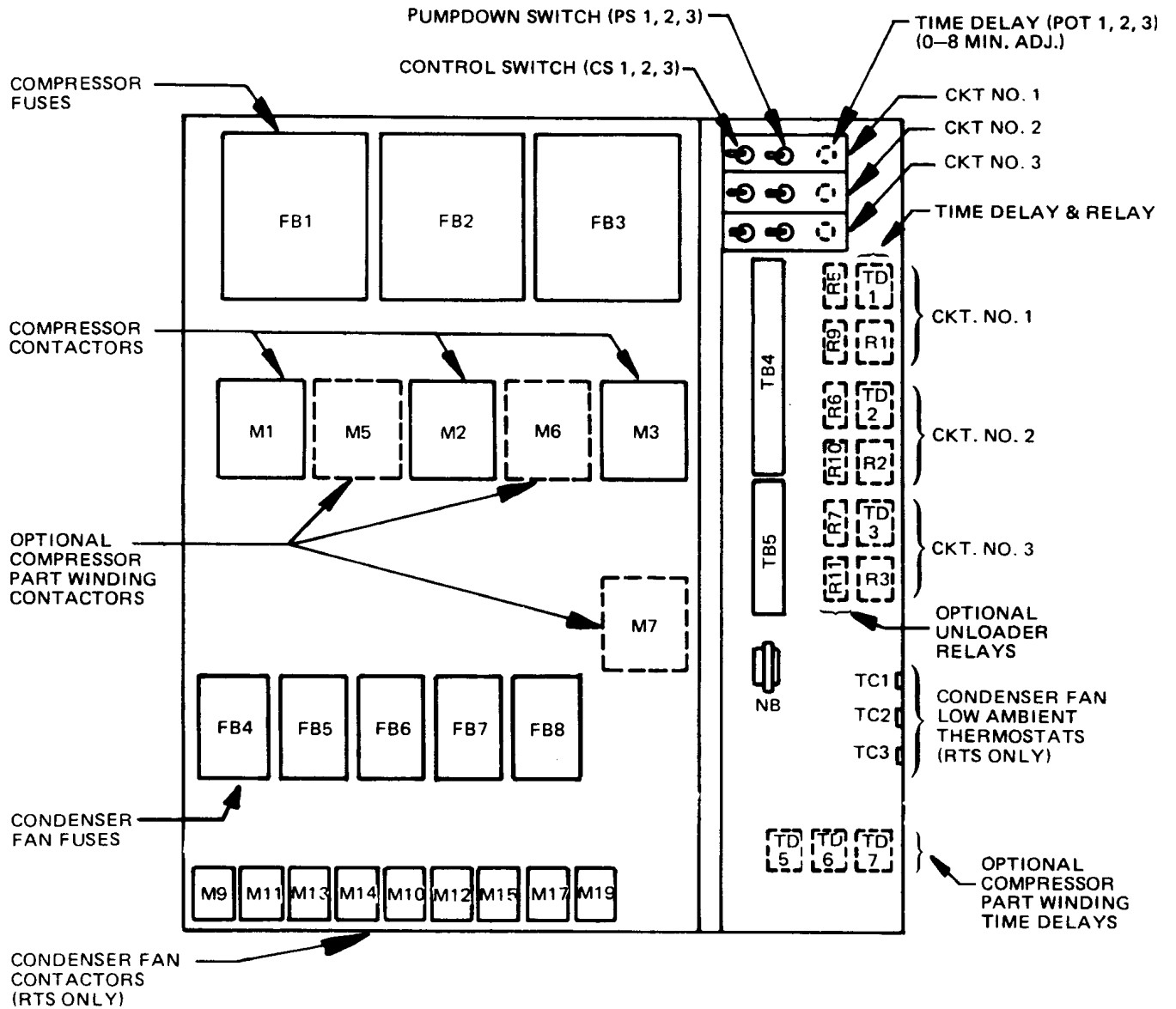


Condenser Section

Condenser Control Box Diagram

NOTE: See Control Box Component Location diagram for reference

Condenser Control Box - 061B, 071B, 080B, 081B, 090B, 100B



Condenser Section

Compressor Contactor Components

Schematic Symbol *	Part Description		Part Number	Model Number - Pieces Per Unit															
				018B	020B	025B	030B	036B	040B	041B	051B	060B	070B	061B	071B	080B	081B	090B	100B
	Contactor Rating	Compressor Voltage																	
Contactor, Compressor																			
M1	40 Amp w/ Aux. Contact	208V	027514403	1															
	60 Amp w/ Aux. Contact		027514405		1				1	1									
	75 Amp w/ Aux. Contact		027514406			1	1				1	1		1		1	1	1	
	90 Amp w/ Aux. Contact		027514407					1					1		1				1
	40 Amp w/ Aux. Contact	230V	027514403	1															
	60 Amp w/ Aux. Contact		027514405		1				1	1									
	75 Amp w/ Aux. Contact		027514406			1	1	1			1	1	1	1	1	1	1	1	1
	25 Amp w/ Aux. Contact	460V	027514401	1	1														
	30 Amp w/ Aux. Contact		027514402			1													
	40 Amp w/ Aux. Contact		027514403	1															
	60 Amp w/ Aux. Contact		027514405		1	1				1	1								
	75 Amp w/ Aux. Contact	027514406				1	1			1	1	1	1	1	1	1	1	1	1
M2	60 Amp w/ Aux. Contact	208V	027514405						1	1	1								
	75 Amp w/ Aux. Contact		027514406								1				1	1	1		
	90 Amp w/ Aux. Contact		027514407									1	1	1				1	
	60 Amp w/ Aux. Contact	230/460V	027514405						1	1	1								
	75 Amp w/ Aux. Contact		027514406									1	1	1	1	1	1	1	
M3	60 Amp w/ Aux. Contact	208/230/460V	027514405												1	1			
	75 Amp w/ Aux. Contact		027514406															1	1
M5	40 Amp w/o Aux.Contact	208V	027514103	1															
	60 Amp w/o Aux.Contact		027514105		1					1	1								
	75 Amp w/o Aux.Contact		027514106			1	1				1	1		1		1	1	1	
	90 Amp w/o Aux.Contact	027514107					1					1		1				1	
	40 Amp w/o Aux.Contact	230V	027514103	1															
	60 Amp w/o Aux.Contact		027514105		1					1	1								
75 Amp w/o Aux.Contact	027514106				1	1	1			1	1	1	1	1	1	1	1	1	
M6	60 Amp w/o Aux.Contact	208V	027514105						1	1	1								
	75 Amp w/o Aux.Contact		027514106								1		1		1	1	1		
	90 Amp w/o Aux.Contact		027514107									1		1				1	
	60 Amp w/o Aux.Contact	230V	027514105						1	1	1								
	75 Amp w/o Aux.Contact		027514106									1	1	1	1	1	1	1	
M7	60 Amp w/o Aux.Contact	208/230V	027514105												1	1			
	75 Amp w/o Aux.Contact		027514106															1	1

*NOTE: Schematic symbols appear on wiring diagram and components have been marked with schematic symbol during unit manufacture.

Condenser Section

Condenser Fan Motor Contactor Components

Schematic Symbol *	Part Description	Part Number	Model Number - Pieces Per Unit															
			018B	020B	025B	030B	036B	040B	041B	051B	060B	070B	061B	071B	080B	081B	090B	100B
Contactor, Condenser Fan Motor																		
M9	3 Amp with Adapter Plate	041769601	1	1	1	1	1	1	1	1	1	1	1	1	1	1	1	
M10					1	1	1	1	1	1	1	1	1	1	1	1	1	
M11			1	1	1	1	1	1	1	1	1	1	1	1	1	1	1	1
M12							1	1	1	1	1	1	1	1	1	1	1	1
M13										1	1	1	1	1	1	1	1	1
M14											1	1	1	1	1	1	1	1
M15															1	1	1	1
M17															1	1	1	1
M19																	1	1

***NOTE:** Schematic symbols appear on wiring diagram and components have been marked with schematic symbol during unit manufacture.

Condenser Section

Miscellaneous Components

Schematic Symbol *	Description		Part Number	Model Number - Pieces Per Unit															
				018B	020B	025B	030B	036B	040B	041B	051B	060B	070B	061B	071B	080B	081B	090B	100B
Fuseblock, Compressor <i>Note: All fuseblocks hold 3 fuses</i>																			
FB1	100A @ 250V	208/230V	023780213	1	1				1	1									
	200A @ 250V	208/230V	023780218			1	1	1			1	1	1	1	1	1	1	1	
	60A @ 600V	380/460V	023780210	1	1				1	1									
	100A @ 600V	380/460V	023780212			1	1	1			1	1	1	1	1	1	1	1	
FB2	100A @ 250V	208/230V	023780213						1	1	1								
	200A @ 250V	208/230V	023780218								1	1	1	1	1	1	1	1	
	60A @ 600V	380/460V	023780210						1	1	1								
FB3	100A @ 600A	380/460V	023780212								1	1	1	1	1	1	1	1	
	100A @ 250V	208/230V	023780213												1	1			
	200A @ 250A	208/230V	023780218													1	1		
	60A @ 600V	380/460V	023780210												1	1			
FB3	100A @ 600A	380/460V	023780212													1	1		
	100A @ 250V	208/230V	023780213														1	1	
	200A @ 250A	208/230V	023780218														1	1	
	60A @ 600V	380/460V	023780210														1	1	
Fuseblock, Condenser Fan Motor <i>Note: All fuseblocks hold 3 fuses</i>																			
FB4	30A @ 250V	208/230V	023780204	1	1	1	1	1	1	1	1	1	1	1	1	1	1	1	
FB4	30A @ 600V	380/460V	023780205	1	1	1	1	1	1	1	1	1	1	1	1	1	1	1	
FB5	30A @ 250V	208/230V	023780204					1	1	1	1	1	1	1	1	1	1	1	
FB5	30A @ 600V	380/460V	023780205					1	1	1	1	1	1	1	1	1	1	1	
FB6	30A @ 250V	208/230V	023780204			1	1				1	1	1	1	1	1	1	1	
FB6	30A @ 600V	380/460V	023780205			1	1									1	1	1	
FB7	30A @ 250V	208/230V	023780204													1	1	1	
FB8	30A @ 250V	208/230V	023780204														1	1	
Terminal Block																			
TB4	14 Pole		015998114	1	1	1	1	1											
TB4	24 Pole		015998124						1	1	1	1	1	1	1	1	1	1	
TB5	14 Pole		015998114												1	1	1	1	
NB	Neutral Bar		037530800	1	1	1	1	1	1	1	1	1	1	1	1	1	1	1	
Potentiometer																			
POT1	3 meg ohm, 0-8 min.		066401601	1	1	1	1	1	1	1	1	1	1	1	1	1	1	1	
POT2	3 meg ohm, 0-8 min.		066401601						1	1	1	1	1	1	1	1	1	1	
POT3	3 meg ohm, 0-8 min.		066401601													1	1	1	
Pumpdown Switch																			
PS1	Toggle, SPST, 6 Amp		001355000	1	1	1	1	1	1	1	1	1	1	1	1	1	1	1	
PS2	Toggle, SPST, 6 Amp		001355000						1	1	1	1	1	1	1	1	1	1	
PS3	Toggle, SPST, 6 Amp		001355000													1	1	1	

Condenser Section

Miscellaneous Components

Schematic Symbol *	Part Description	Part Number	Model Number - Pieces Per Unit															
			018B	020B	025B	030B	036B	040B	041B	051B	060B	070B	061B	071B	080B	081B	090B	100B
Relay, Unloader																		
R1	DPDT, 120V AC Coil	019643000	1	1	1	1	1	1	1	1	1	1	1	1	1	1	1	1
R2,R5,R6	DPDT, 120V AC Coil	019643000							1	1	1	1	1	1	1	1	1	1
R9	DPDT, 120V AC Coil	019643000								1	1	1	1	1	1	1	1	1
R10	DPDT, 120V AC Coil	019643000									1	1	1	1	1	1	1	1
R3,R7,R11	DPDT, 120V AC Coil	019643000														1	1	1
Terminal Block																		
TB4	14 Pole	015998114	1	1	1	1	1	1	1	1	1	1	1	1	1	1	1	1
TB5	14 Pole	015998114														1	1	1
Fantrol Thermostat																		
TC1	65-80°F, 120 VAC	027679700	1	1	1	1	1	1	1	1	1	1	1	1	1	1	1	1
TC2	65-80°F, 120 VAC	027679700							1	1	1	1	1	1	1	1	1	1
TC3	65-80°F, 120 VAC	027679700														1	1	1
Time Delay Relay																		
TD1	0-8 Min	028210102	1	1	1	1	1	1	1	1	1	1	1	1	1	1	1	1
TD2	0-8 Min	028210102							1	1	1	1	1	1	1	1	1	1
TD3	0-8 Min	028210102														1	1	1
TD5	Compressor, Part Winding Start	028210101	1	1	1	1	1	1	1	1	1	1	1	1	1	1	1	1
TD6	Compressor, Part Winding Start	028210101							1	1	1	1	1	1	1	1	1	1
TD7	Compressor, Part Winding Start	028210101														1	1	1
Control Switch																		
CS1	Toggle, SPST, 6 Amp	001355000	1	1	1	1	1	1	1	1	1	1	1	1	1	1	1	1
CS2	Toggle, SPST, 6 Amp	001355000							1	1	1	1	1	1	1	1	1	1
CS3	Toggle, SPST, 6 Amp	001355000														1	1	1

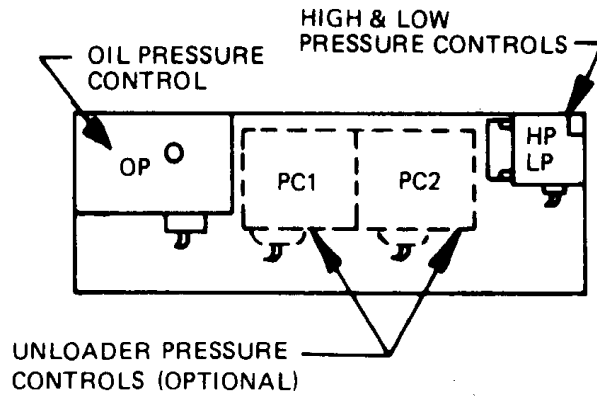
* **NOTE:** Schematic symbols appear on unit wiring diagrams and components have been marked with schematic symbol during unit manufacture.

Condenser Section

Compressor Pressure Controls

Compressor Control Box - Pressure Controls

NOTE: This diagram shows sizes 036B - 100B. Refer to Condenser Control Box Diagram for sizes 018B-030B.

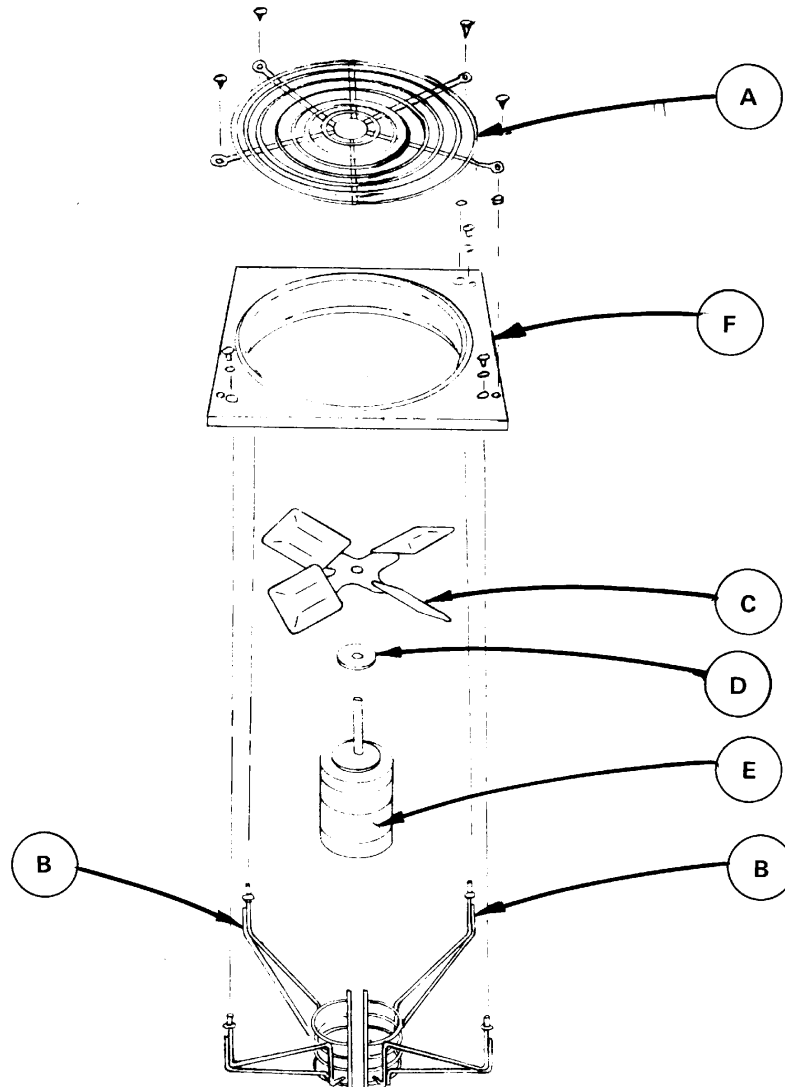


Schematic Symbol *	Part Description	Part Number	Model Number - Pieces Per Unit															
			018B	020B	025B	030B	036B	040B	041B	051B	060B	070B	061B	071B	080B	081B	090B	100B
HP	Pressure Control, High	047932301	1	1	1	1	1	2	2	2	2	2	2	2	3	3	3	3
LP	Pressure Control, Low	047932302	1	1	1	1	1	2	2	2	2	2	2	2	3	3	3	3
OP	Pressure Control, Oil	001354900	1	1	1	1	1	2	2	2	2	2	2	2	3	3	3	3
PC1, PC2	Unloader (Option)	020321700	Quantities may vary															
-	Push to Reset Grommet	029956300	Quantities may vary															

***NOTE:**

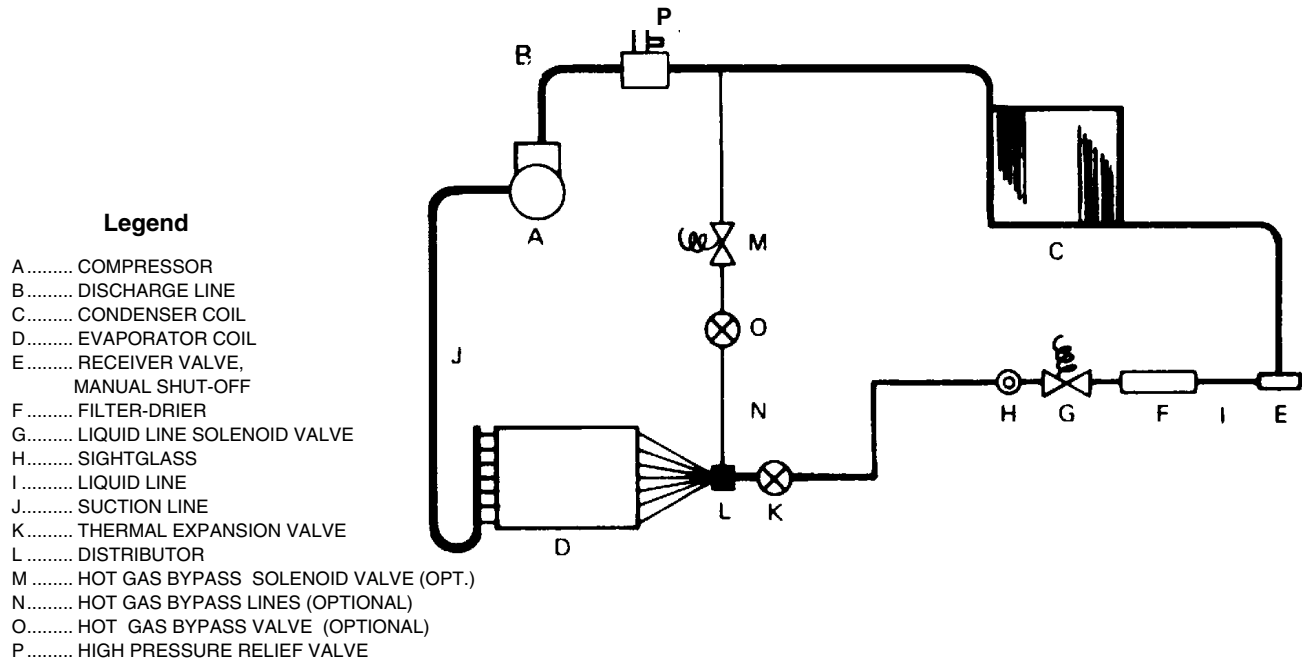
Schematic symbols appear on wiring diagram and components have been marked with schematic symbol during unit manufacture.

Condenser Section Fan Assembly



Ref. Bubble	Description	Part Number	Model Number - Pieces Per Unit															
			018B	020B	025B	030B	036B	040B	041B	051B	060B	070B	061B	071B	080B	081B	090B	100B
A	Fan Guard	047359201	2	2	3	3	4	4	4	5	6	6	6	6	8	8	9	9
B	Motor Mount (2 pieces req'd each mount)	037867400	4	4	6	6	8	8	8	10	12	12	12	12	16	16	18	18
C	Fan Blade	033259000	2	2	3	3	4	4	4	5	6	6	6	6	8	8	9	9
D	Rain Slinger	027471200	2	2	3	3	4	4	4	5	6	6	6	6	8	8	9	9
E	Motor, 1.5 hp, 3 ph, 200/230V	029225200	2	2	3	3	4	4	4	5	6	6	6	6	8	8	9	9
E	Motor, 1.5 hp, 3 ph, 460/60/3V	029225100	2	2	3	3	4	4	4	5	6	6	6	6	8	8	9	9
E	Motor, 1.5 hp, 3 ph, 575/60/3V	046744200	2	2	3	3	4	4	4	5	6	6	6	6	8	8	9	9
F	Top Panel Painted Assembly	038163301	2	2	3	3	4	4	4	5	6	6	6	6	8	8	9	9

Refrigerant Piping



Ref. Letter	Description	Part Number	Model Number - Pieces Per Unit																
			018B	020B	025B	030B	036B	040B	041B	051B	060B	070B	061B	071B	080B	081B	090B	100B	
EXPANSION VALVES, SPORLAN																			
K	40 Ton	024029501					1				2	2					2		
	30 Ton	024029605			1	1			1	2		2		2	2	2			
	20 Ton	024029601	1	1				2	2	1				1	1	1	1		
	8 Ton	030389000													1	1	1		
SOLENOID VALVES, LIQUID LINE																			
G	Sporlan - 39 Ton	031007404			1	1	1			1	2	2	2	2	2	2	3	3	
G	Sporlan - 25 Ton	025327500	1	1				2	2	1				1	1				
SOLENOID VALVE, HOT GAS BYPASS																			
M	Sporlan - 25 Ton (Max. Qty/Unit)	025327500	1	1	1	1	1	1	2	2	2	2	2	2	2	3	3	3	3
PRESSURE VALVE, HOT GAS BYPASS																			
O	Valve with Remote Bulb (Max. Qty/Unit)	027010700	1	1	1	1	1	1	2	2	2	2	2	2	2	3	3	3	3
RECEIVER VALVE																			
E	Shutoff, King Valve	001360000	1	1	1	1	1	1	2	2	2	2	2	2	2	3	3	3	3
FILTER DRIER, SEALED CORE																			
F	Sporlan	030193300			1	1	1			1	2	2	2	2	2	2	3	3	
F	Sporlan	025938900	1	1				2	2	1				1	1				
P	Relief Valve, High Pressure	022545100	1	1	1	1	1	1	2	2	2	2	2	2	2	3	3	3	3
SIGHTGLASS																			
H	Body	025329600	1	1	1	1	1	1	2	2	2	2	2	2	2	3	3	3	3
H	Cap	022427700	1	1	1	1	1	1	2	2	2	2	2	2	2	3	3	3	3

Compressor Model Information

Compressor	018B	020B	025B	030B	036B	040B	041B	051B	060B	061B	070B	071B	080B	081B	090B	100B
WITHOUT UNLOADERS																
Circuit 1	Not Applicable					IV	IV	VIII	VIII	VIII	XI or XIII	XI or XIII	VIII	VIII	VIII	XI or XIII
Circuit 2						IV	IV	IV	VIII	VIII	XI or XIII	XI or XIII	VIII	VIII	VIII	XI or XIII
Circuit 3						IV	IV	VIII	VIII							
WITH SINGLE UNLOADER Additional bank of unloading available with kits on next page.																
Circuit 1	I or II	III or V	VI or VII	IX or X	XII or XIV	III	III	IX	IX	IX	XII, XIV, XV	XII, XIV, XV	IX	IX	IX	XII, XIV, XV
Circuit 2	Not Applicable					III	III	III	IX	IX	XII, XIV, XV	XII, XIV, XV	IX	IX	IX	XII, XIV, XV
Circuit 3						III	III	IX	IX							

Refer to Chart Above	HP	Voltage	Amps	McQuay Part Number
I	20	208-230/460V**	64/32	027398400
II	20	460V	32	031784900
III	25	208-230/460V**	76/38	023576700
IV	25	208-230/460V**	76/38	023576600
V	25	460V	38	031785100
VI***	30	208-230/460V**	98/49	027398600
VII***	30	460V	49	031785200
VIII	35	208-230/460V**	116/58	023576900
IX***	35	208-230/460V**	116/58	023577000
X***	35	460V	58	031309900
XI	40	208V	147	031776900
XIII***	40	208V	147	031777000
XIII	40	230/460V**	138/69	030178200
XIV***	40	230/460V**	138/69	030178300
XV***	40	460V	69	032923500

**PW start available on 208 or 230V only.

***Additional bank of unloading available with kits on next page.

Miscellaneous Compressor Components

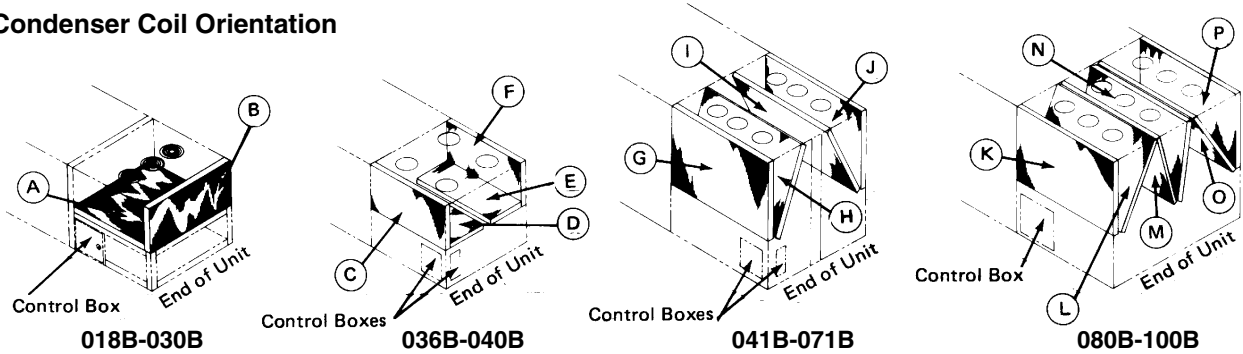
Description	Compressor Horsepower	Part Number	Qty. Per Compr.
UNLOADER KIT , Includes 115V Coil	25, 30, 35	025633500	1
	40	030178500	1
MOTOR PROTECTOR (See note below) Post-1981 Units: Copeland 071-0424-01 <i>or</i> Texas Instruments 15AA1600B	All	044691500	1
Pre-1980 Units: Copeland 071-0398-0 <i>-or-</i> Robertshaw MP23-1023	25, 35, 40 hp / all voltages <i>-or-</i> 10, 20, 30 hp, 460V, PW	030734400	1
Pre-1980 Units: Copeland 071-0376-02	10, 20, 30 hp <i>except</i> 460V, PW	027398700	1
CRANKCASE HEATER, 120 volt	20, 25, 30, 35	020568100	1
	40	030178400	1
VIBRATION MOUNTING PAD WITH STEEL PLATE	All	023204900	4
VIBRATION MOUNTING SPRING KIT (4 SPRINGS)	20	001402900	1
	25,30	001403600	1
	35	019439200	1
	40	034895100	1
VIBRATION ELIMINATOR, DISCHARGE LINE	20, 25	020001710	1
	30, 35, 40	020001711	1
VIBRATION ELIMINATOR, SUCTION LINE	20, 25	020001712	1
	30, 35, 40	020001713	1

NOTE: When ordering motor protectors for compressors in units built between January 1980 and December 1981 or if you are unsure of unit manufacture date, please refer to vendor and model number of motor protector taken from nameplate on protector device.

Coils

Condensing Coils

Condenser Coil Orientation



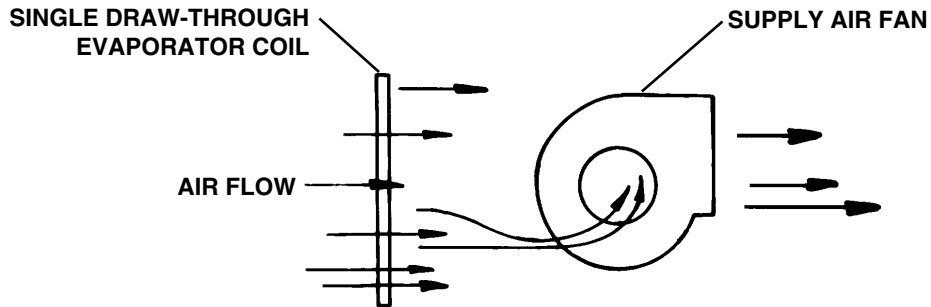
Ref. Letter	Part Description	Part Number	RPS/RFS Model Number - Pieces Per Unit														
			018B	020B	025B	030B	036B	040B	041B	051B	060B	070B	061B	071B	080B	081B	090B
A	3 CZ 1602 - 42.50 x 90.00	033498600	1	1													
A	3 CZ 1203 - 42.50 x 90.00	033499200			1	1											
B	3 CZ 1602 - 25.00 x 90.00	033498500	1	1													
B	3 CZ 1203 - 25.00 x 90.00	033499100			1	1											
C	3 CZ 1602 - 25.00 x 90.00	032007300					1	1									
D	3 CZ 1602 - 25.00 x 90.00	032008200					1										
D	3 CZ 1602 - 42.50 x 90.00	032007200						1									
E	3 CZ 1602 - 25.00 x 90.00	032008300					1										
E	3 CZ 1602 - 42.50 x 90.00	032007100						1									
F	3 CZ 1602 - 25.00 x 90.00	032007400					1	1									
G	3 CZ 1602 - 42.50 x 90.00	030158300							1								
G	3 CZ 1602 - 42.50 x 90.00	030158200								1	1		1				
G	3 CZ 1203 - 42.50 x 90.00	030156800										1	1				
H	3 CZ 1602 - 25.00 x 90.00	030158000							1								
H	3 CZ 1602 - 42.50 x 90.00	030158100								1	1		1				
H	3 CZ 1203 - 42.50 x 90.00	030156700										1	1				
I	3 CZ 1602 - 25.00 x 90.00	030157900							1	1							
I	3 CZ 1602 - 42.50 x 90.00	030158600									1		1				
I	3 CZ 1203 - 42.50 x 90.00	030156900										1		1			
J	3 CZ 1602 - 42.50 x 90.00	030158400									1	1					
J	3 CZ 1602 - 42.50 x 90.00	030158500											1		1		
J	3 CZ 1203 - 42.50 x 90.00	030157000												1		1	
K	3 CZ 1602 - 42.50 x 90.00	030158200													1	1	1
K	3 CZ 1203 - 42.50 x 90.00	030156800															1
L	3 CZ 1602 - 42.50 x 90.00	030158100													1	1	1
L	3 CZ 1203 - 42.50 x 90.00	030156700															1
M	3 CZ 1602 - 42.50 x 90.00	030158600													1	1	1
N	3 CZ 1602 - 42.50 x 90.00	030158500													1	1	1
O	3 CZ 1602 - 42.50 x 90.00	030158600													1	1	1
O	3 CZ 1203 - 42.50 x 90.00	030156900															1
P	3 CZ 1602 - 42.50 x 90.00	030158500													1	1	1
P	3 CZ 1203 - 42.50 x 90.00	030157000															1

Coils

Direct Expansion Evaporator Coils

Single Draw-through Evaporator Coil / Unit Sizes 018B-030B, 82.00”

Single Draw-through Evaporator Coil



Part Description	Part Number	Model Number - Pieces Per Unit															
		018B	020B	025B	030B	036B	040B	041B	051B	060B	070B	061B	071B	080B	081B	090B	100B
5 EZ 1202 - 33.00 x 82.00 2 Row (Before 11/92)	033228600	1	1														
5 EZ 0803 - 33.00 x 82.00 3 Row (Before 11/92)	033228500	1	1														
5 EZ 0804 - 33.00 x 82.00 4 Row (Before 11/92)	033228400	1	1														
5 EZ 0805 - 33.00 x 82.00 5 Row (Before 11/92)	033228300	1	1														
5 EZ 0803 - 33.00 x 82.00 3 Row*	058394301	1	1														
5 EZ 1003 - 33.00 x 82.00 3 Row*	058394302	1	1														
5 EZ 1203 - 33.00 x 82.00 3 Row*	058394303	1	1														
5 EZ 0804 - 33.00 x 82.00 4 Row*	058394304	1	1														
5 EZ 1004 - 33.00 x 82.00 4 Row*	058394305	1	1														
5 EZ 1204 - 33.00 x 82.00 4 Row*	058394306	1	1														
5 EZ 0805 - 33.00 x 82.00 5 Row*	058394307	1	1														
5 EZ 1005 - 33.00 x 82.00 5 Row*	058394308	1	1														
5 EZ 1205 - 33.00 x 82.00 5 Row*	058394309	1	1														
5 EZ 1202 - 48.00 x 82.00 2 Row (Before 11/92)	033454700			1	1												
5 EZ 0803 - 48.00 x 82.00 3 Row (Before 11/92)	033454800			1	1												
5 EZ 0804 - 48.00 x 82.00 4 Row (Before 11/92)	033454900			1	1												
5 EZ 0805 - 48.00 x 82.00 5 Row (Before 11/92)	033455000			1	1												
5 EZ 0803 - 48.00 x 82.00 3 Row*	058394311			1	1												
5 EZ 1003 - 48.00 x 82.00 3 Row*	058394312			1	1												
5 EZ 1203 - 48.00 x 82.00 3 Row*	058394313			1	1												
5 EZ 0804 - 48.00 x 82.00 4 Row*	058394314			1	1												
5 EZ 1004 - 48.00 x 82.00 4 Row*	058394315			1	1												
5 EZ 1204 - 48.00 x 82.00 4 Row*	058394316			1	1												
5 EZ 0805 - 48.00 x 82.00 5 Row*	058394317			1	1												
5 EZ 1005 - 48.00 x 82.00 5 Row*	058394318			1	1												
5 EZ 1205 - 48.00 x 82.00 5 Row*	058394319			1	1												

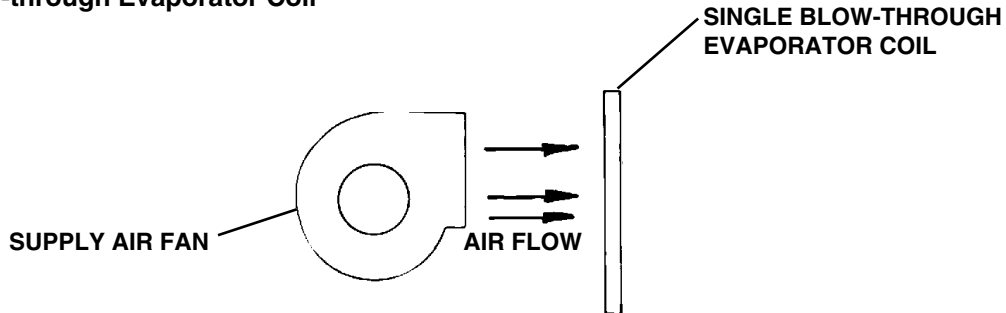
* Used with sloped drain pan, beginning approx. 11/92.

Coils

Direct Expansion Evaporator Coils

Single Blow-through Evaporator Coil / Unit Sizes 036B-040B / 82.00”

Single Blow-through Evaporator Coil



Part Description	Part Number	Model Number - Pieces Per Unit															
		018B	020B	025B	030B	036B	040B	041B	051B	060B	070B	061B	071B	080B	081B	090B	100B
Single Blow-through Evaporator Coil (Fig. 8B)																	
5 EZ 0803 - 48.00 x 82.00 3 Row (Before 11/92)	037268200					1											
5 EZ 0804 - 48.00 x 82.00 4 Row (Before 11/92)	037268300					1											
5 EZ 0805 - 48.00 x 82.00 5 Row (Before 11/92)	037268400					1											
5 EZ 0803 - 48.00 x 82.00 3 Row*	058394321					1											
5 EZ 1003 - 48.00 x 82.00 3 Row*	058394322					1											
5 EZ 1203 - 48.00 x 82.00 3 Row*	058394323					1											
5 EZ 0804 - 48.00 x 82.00 4 Row*	058394324					1											
5 EZ 1004 - 48.00 x 82.00 4 Row*	058394325					1											
5 EZ 1204 - 48.00 x 82.00 4 Row*	058394326					1											
5 EZ 0805 - 48.00 x 82.00 5 Row*	058394327					1											
5 EZ 1005 - 48.00 x 82.00 5 Row*	058394328					1											
5 EZ 1205 - 48.00 x 82.00 5 Row*	058394329					1											
5 EZ 0803 - 48.00 x 82.00 3 Row (Before 11/92)	031561200						1										
5 EZ 0804 - 48.00 x 82.00 4 Row (Before 11/92)	031561400						1										
5 EZ 0805 - 48.00 x 82.00 5 Row (Before 11/92)	031561600						1										
5 EZ 0803 - 48.00 x 82.00 3 Row*	058394331						1										
5 EZ 1003 - 48.00 x 82.00 3 Row*	058394332						1										
5 EZ 1203 - 48.00 x 82.00 3 Row*	058394333						1										
5 EZ 0804 - 48.00 x 82.00 4 Row*	058394334						1										
5 EZ 1004 - 48.00 x 82.00 4 Row*	058394335						1										
5 EZ 1204 - 48.00 x 82.00 4 Row*	058394336						1										
5 EZ 0805 - 48.00 x 82.00 5 Row*	058394337						1										
5 EZ 1005 - 48.00 x 82.00 5 Row*	058394338						1										
5 EZ 1205 - 48.00 x 82.00 5 Row*	058394339						1										

* Used with sloped drain pans, beginning approx. 11/92.

Coils

Direct Expansion Evaporator Coils

Single Blow-through Evaporator Coil / Unit Sizes 041B-100B / 82.00''

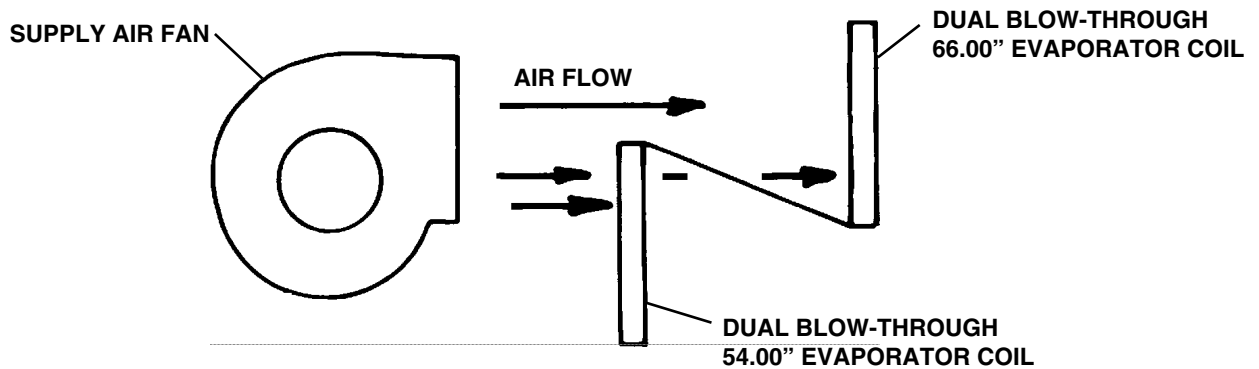
Part Description	Part Number	Model Number - Pieces Per Unit															
		018B	020B	025B	030B	036B	040B	041B	051B	060B	070B	061B	071B	080B	081B	090B	100B
Single Blow-through Evap. Coil, (Fig. 8B), Cont'd.																	
5 EZ 0803 - 54.00 x 82.00 3 Row	031484200							1									
5 EZ 0804 - 54.00 x 82.00 4 Row	031484400							1									
5 EZ 0805 - 54.00 x 82.00 5 Row	031484700							1									
5 EZ 0803 - 66.00 x 82.00 3 Row	031484100							1									
5 EZ 0804 - 66.00 x 82.00 4 Row	031484500							1									
5 EZ 0805 - 66.00 x 82.00 5 Row	031484600							1									
5 EZ 0803 - 66.00 x 82.00 3 Row	031290100								1	1							
5 EZ 0804 - 66.00 x 82.00 4 Row	031484300								1	1							
5 EZ 0805 - 66.00 x 82.00 5 Row	047110500								1	1							
5 EZ 0803 - 90.00 x 82.00 3 Row	031655600										1	1					
5 EZ 0804 - 90.00 x 82.00 4 Row	031655800										1	1					
5 EZ 0805 - 90.00 x 82.00 5 Row	031655700										1	1					
5 EZ 0803 - 90.00 x 82.00 3 Row	031657300													1			
5 EZ 0804 - 90.00 x 82.00 4 Row	031657400													1			
5 EZ 0805 - 90.00 x 82.00 5 Row	031657500													1			

Coils

Direct Expansion Evaporator Coils

Dual Blow-through Evaporator Coil / Unit Sizes 081B-100B / 82.00''

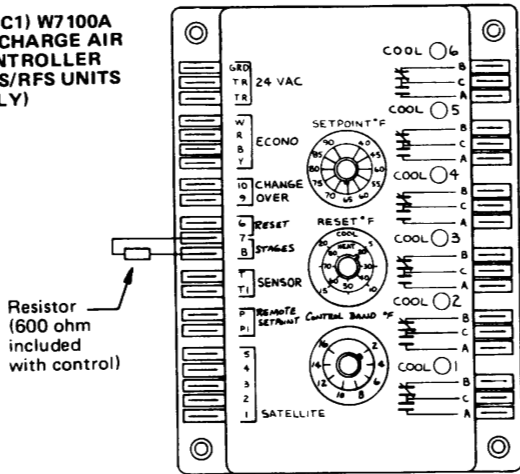
Dual Blow-through Evaporator Coil



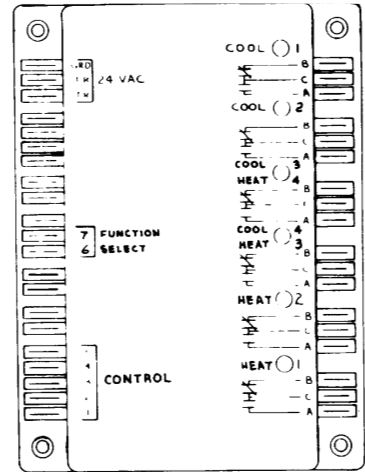
Part Description	Part Number	Model Number - Pieces Per Unit																
		018B	020B	025B	030B	036B	040B	041B	051B	060B	070B	061B	071B	080B	081B	090B	100B	
Dual Blow-through Evaporator Coil (Fig. 8C)																		
5 EZ 0803 - 54.00 x 82.00	3 Row	031267800														1	1	1
5 EZ 0804 - 54.00 x 82.00	4 Row	031267900														1	1	1
5 EZ 0805 - 54.00 x 82.00	5 Row	031268000														1	1	1
5 EZ 0803 - 66.00 x 82.00	3 Row	031268100														1	1	1
5 EZ 0804 - 66.00 x 82.00	4 Row	031268200														1	1	1
5 EZ 0805 - 66.00 x 82.00	5 Row	031268300														1	1	1

Upper Main Control Panel Unit Controller Diagrams - All sizes

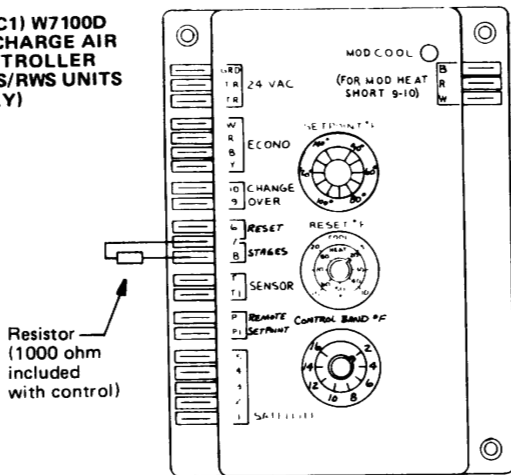
**(DAC1) W7100A
DISCHARGE AIR
CONTROLLER
(RPS/RFS UNITS
ONLY)**



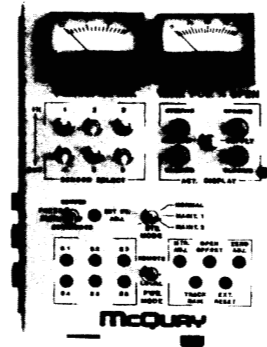
**(DAS1) W7101A
SATELLITE
SEQUENCER
(RPS/RFS UNITS
WITH MORE THAN
SIX STAGES)**



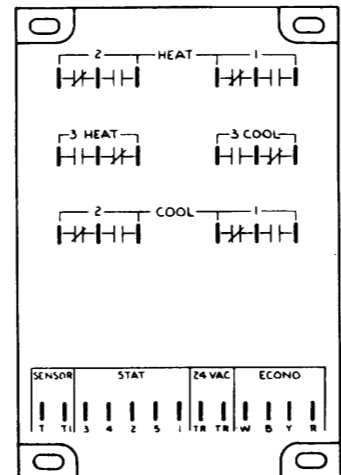
**(DAC1) W7100D
DISCHARGE AIR
CONTROLLER
(RHS/RWS UNITS
ONLY)**



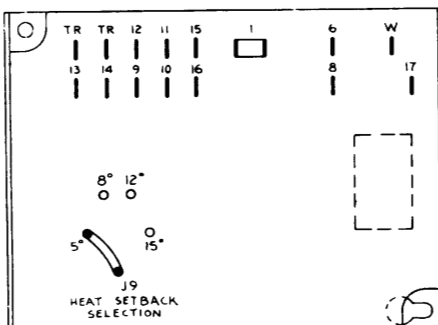
**(EPC) VANETROL
PRESSURE
CONTROLLER**



**(CP1) SOLID-
STATE
CENTRAL
PROCESSOR**



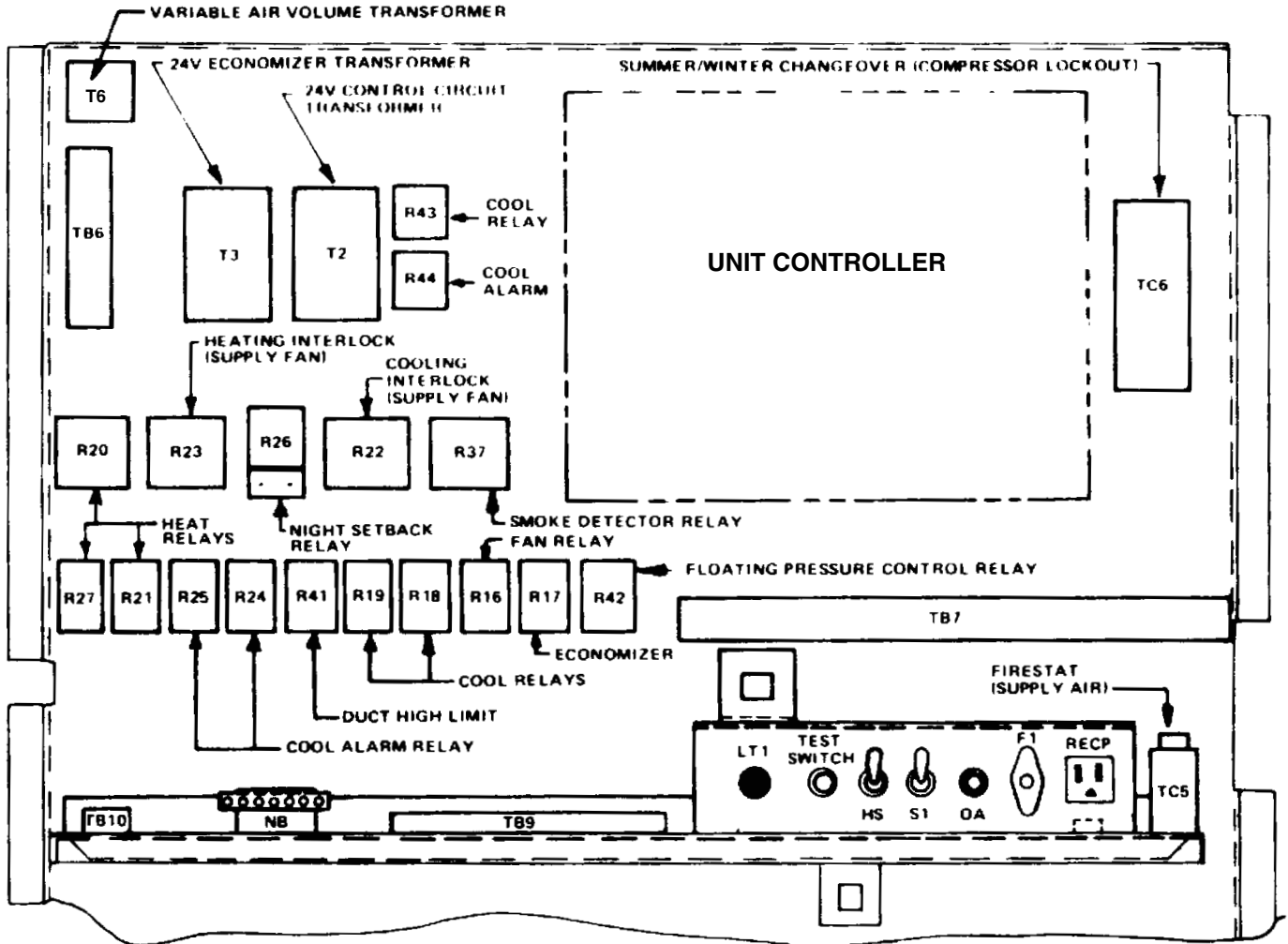
**(NSB) W974A
NIGHT
SETBACK
MODULE**



Upper Main Control Panel Diagram and Components - All sizes

Upper Main Control Panel

NOTE: Most common locations of controls are shown. Actual location of controls may vary with unit size & unit options.



Schematic* Symbol	Part Description			Part Number	Quantity Per Unit (When Option Exists)
	General Function	Coil Volt.	No. of Poles		
R16	Fan Relay	24V	SPDT	061019403	1
R17	Economizer Relay	24V	SPDT	061019403	1
R18	Cool Relay No. 1	24V	SPDT	061019403	1
R19	Cool Relay No. 2	24V	3PDT	030811400	1
R20	Gas & Oil Heat Relay	24V	DPDT	029858800	1
R20	Electric Heat Relay	120V	DPDT	019643000	1
R20	Electric Heat Relay	24V	DPDT	016508002	1
R20	Steam & Hot Water	24V	DPDT	016508002	1
R21	Electric Heat Relay	24V	SPDT	061019403	1
R22	Cooling Fan Interlock	120V	3PDT	073340001	1
R23	Heat Fan Interlock	120V	DPDT	044465500	1

*NOTE: Schematic symbols appear on unit wiring diagrams and components are marked with them at time of manufacture.

Upper Main Control Panel

All Sizes, Continued

Schematic* Symbol	Part Description			Part Number	Quantity Per Unit (When Option Exists)
	General Function		No. of Poles		
R24	Cool Alarm	Coil Voltage; 120V	SPDT	032508101	1
R25	Cool Alarm	Coil Voltage, 120V	SPDT	032508101	1
R26	Night Setback	Coil Voltage, 24V	3PDT	030811400	1
R27	Electric Heat Relay	Coil Voltage, 24V	SPDT	061019403	1
R37	Smoke Trip	Coil Voltage, 120V	3PDT	073340001	1
R41	Duct High Limit	Coil Voltage, 120V	SPDT	032508101	1
R42	Floating Pressure Control	Coil Voltage, 120V	SPDT	032508101	1
R43	Cool Relay	Coil Voltage, 24V	SPDT	061019403	1
R44	Cool Alarm	Coil Voltage, 120V	SPDT	032508101	1
TERMINAL BLOCKS					
TB6	Heating Circuits		7 Pole	015998107	1
TB7	Main Control, 120V		8 Pole	015998108	1
TB7	Main Control, 120V		14 Pole	015998114	1
TB7	Main Control, 120V		28 Pole	015998128	1
TB7	Main Control, 120V		30 Pole	015998130	1
TB9	24V Factory Connection		14 Pole	015998114	1
TB10	VAV Float Controls		7 Pole	015998107	1
NB	Neutral Bar		7 Pole	037530800	1
NB	Neutral Bar		16 Pole	037530700	1
THERMOSTATS					
TC5	125° Firestat, Units with Cooling Only			027672500	1
TC5	225° Firestat, Units with Heating			028395300	1
TC6	Summer-Winter Changeover (Compr. Lockout)			023796401	1
TRANSFORMERS					
T2	24 Volt Control Circuit, 120-27V, .045 KVA			029948300	1
T3	Economizer, 120-27V, .045 KVA			029948300	1
T6	Variable Air Volume Control, 120-25V, .020 KVA			030886400	1
SWITCHES					
S1	System Switch SPST-Use on all units <i>except</i> with gas or oil heat			001355000	1
S1	System Switch DPST-Use on all units with oil or gas heat			018446400	1
HS	Heat Switch SPST			001355000	1
None	Test Switch with Leads, Units with W7100 (DAC1)			042236200	1
POTENTIOMETER, UNIT MOUNTED					
OA	Outside Air Potentiometer (Units with Electric Heat)			026116600	1
OA	Outside Air Potentiometer (Units without Electric Heat)			043212800	1
None	Knob for Potentiometer			029024400	1
FUSE					
F1	Fuse Holder			029552200	1
F1	Fuse, 15 Amp			029552300	1
F1	Fuse, 6 Amp			036559100	1

*NOTE: Schematic symbols appear on unit wiring diagrams and components are marked with them at time of manufacture.

Upper Main Control Panel Components - All Sizes, Continued

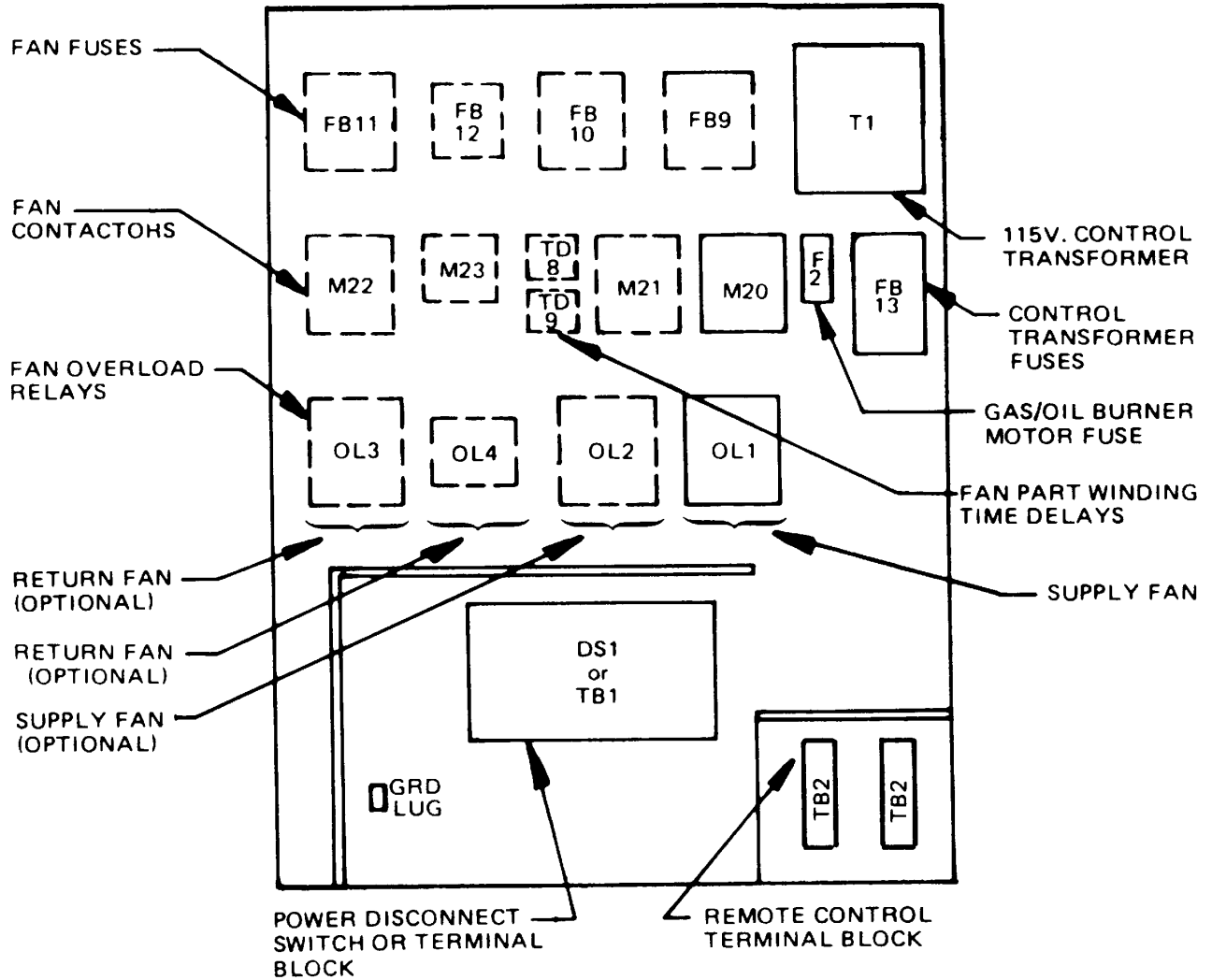
Schematic* Symbol	Part Description	Part Number	Quantity Per Unit (When Option Exists)
INDICATOR LIGHT			
LT1	Duct High Limit Neon Light, Red	016508303	1
RECEPTACLE			
RECP	120V Service Receptacle	025283700	1
CONTROLLERS			
CP1	W973B Solid-State Central Processor	041760200 ¹	1
NSB	W974A Night Setback Module	037529600	1
DAC1	W7100A Discharge Air Controller, RPS/RFS units only (includes 600 ohm resistor)	041772500	1
	W7100D Discharge Air Controller, RHS/RWS units only (includes 1000 ohm resistor)	042643600	1
	DAC1 Resistor, 200 ohm, 2 stage control	044690102	1
	DAC1 Resistor, 301 ohm, 3 stage control	044690103	1
	DAC1 Resistor, 402 ohm, 4 stage control	044690104	1
	DAC1 Resistor, 499 ohm, 5 stage control	044690105	1
	DAC1 Resistor, 600 ohm, 6 stage control	044690106	1
	DAC1 Resistor, 806 ohm, 8 stage control	044690108	1
	DAC1 Resistor, 909 ohm, 9 stage control	044690109	1
	Resistor (W7100D Only) 1000 ohm	044690110	1
	Resistor Kit (includes all of above resistors)	044691300	1
DAS1	W7101A Satellite Sequencer, RPS/RFS Units w/more than 6 stages	042226900	1
EPC	Vanetrol, Electronic Pressure Controller	037524300	1
OBSOLETE CONTROLLERS (Not Shown)-No longer used in current unit production (Consult McQuay Parts for availability.)			
SC	Step Controller, 6 stage, Honeywell S984-P-1004	031855700	1
SC	Step Controller, 10 stage, Honeywell S984-J-1034	033838200	1
PTC2	Proportional Temp. Control, Solid-state, Pressure-Johnson PC-4000-2	031775202	1

*NOTE: Schematic symbols appear on unit wiring diagrams and components are marked with them at time of manufacture.

¹ When a unit has hydronic heat (C03= W or S) and a modulating valve (C16=****M) the CP1 part number is: 037529500.

Lower Main Control Panel

Component Location Diagram - All Sizes



Lower Main Control Panel

Components - All Sizes

Schematic* Symbol	Part Description				Part Number	Quantity	
FUSE, GAS/OIL BURNER MOTOR							
F2	Fuseblock; Gas/Oil Burner Motor				023780201	1	
	Fuse - 20 Amp; Gas/Oil Burner Motor				025860507	1	
	Fan HP	Fan Voltage	Fan Starting	Fuseblock Rating			
FUSEBLOCK, SUPPLY AIR FAN							
FB9	1 - 7.5	208	Across the Line	30A @ 250V	023780204	1	
	10 & 15	208	Across the Line	60A @ 250V	023780209	1	
	20 & 25	208	Across the Line	100A @ 250V	023780213	1	
	30	208	Across the Line	60A @ 250V	023780209	1	
	40 - 60	208	Across the Line	100A @ 250V	023780213	1	
	75 & 100	208	Across the Line	200A @ 250V	023780218	1	
	1 - 7.5	230	Across the Line	30A @ 250V	023780204	1	
	10 & 15	230	Across the Line	60A @ 250V	023780209	1	
	20 - 30	230	Across the Line	100A @ 250V	023780213	1	
	40	230	Across the Line	60A @ 250V	023780209	1	
	50 & 60	230	Across the Line	100A @ 250V	023780213	1	
	75 & 100	230	Across the Line	200A @ 250V	023780218	1	
	1 - 15	380 or 460	Across the Line	30A @ 600V	023780205	1	
	20 - 40	380 or 460	Across the Line	60A @ 600V	023780210	1	
	50 & 60	380 or 460	Across the Line	100A @ 600V	023780212	1	
	75 & 100	380 or 460	Across the Line	200A @ 600V	023780215	1	
	15	208	Part Winding	30A @ 250V	023780204	1	
	20 - 30	208	Part Winding	60A @ 250V	023780209	1	
	40 - 60	208	Part Winding	100A @ 250V	023780213	1	
	75 & 100	208	Part Winding	200A @ 250V	023780218	1	
	15	230	Part Winding	30A @ 250V	023780204	1	
	20 - 40	230	Part Winding	60A @ 250V	023780209	1	
	50 & 60	230	Part Winding	100A @ 250V	023780213	1	
	75 & 100	230	Part Winding	200A @ 250V	023780218	1	
	FB10	30	208	Across the Line	60A @ 250V	023780209	1
		40 - 60	208	Across the Line	100A @ 250V	023780213	1
		75 & 100	208	Across the Line	200A @ 250V	023780218	1
		40	230	Across the Line	60A @ 250V	023780209	1
		50 & 60	230	Across the Line	100A @ 250V	023780213	1
		75 & 100	230	Across the Line	200A @ 250V	023780218	1
		15	208	Part Winding	30A @ 250V	023780204	1
		20 - 30	208	Part Winding	60A @ 250V	023780209	1
40 - 60		208	Part Winding	100A @ 250V	023780213	1	
75 & 100		208	Part Winding	200A @ 250V	023780218	1	
15		230	Part Winding	30A @ 250V	023780204	1	
20 - 40		230	Part Winding	60A @ 250V	023780209	1	
50 & 60		230	Part Winding	100A @ 250V	023780213	1	
75 & 100		230	Part Winding	200A @ 250V	023780218	1	

* NOTE: Schematic symbols appear on unit wiring diagrams and components are marked with them at time of manufacture.

Lower Main Control Panel Components - Continued

Schematic* Symbol	Part Description				Part Number	Quantity
	Fan Horsepower	Fan Voltage	Fan Starting	Fuseblock Rating		
FUSEBLOCK, RETURN AIR FAN						
FB11	1 - 7.5	208	Across the Line	30A @ 250V	023780204	1
	10 & 15	208	Across the Line	60A @ 250V	023780209	1
	20 & 25	208	Across the Line	100A @ 250V	023780213	1
	30	208	Across the Line	60A @ 250V	023780209	1
	40 - 60	208	Across the Line	100A @ 250V	023780213	1
	1 - 7.5	230	Across the Line	30A @ 250V	023780204	1
	10 & 15	230	Across the Line	60A @ 250V	023780209	1
	20 - 30	230	Across the Line	100A @ 250V	023780213	1
	40	230	Across the Line	60A @ 250V	023780209	1
	50 & 60	230	Across the Line	100A @ 250V	023780213	1
	1 - 15	380 or 460	Across the Line	30A @ 600V	023780205	1
	20 - 30	380 or 460	Across the Line	60A @ 600V	023780210	1
	40 - 60	380 or 460	Across the Line	100A @ 600V	023780212	1
	15	208	Part Winding	30A @ 250V	023780204	1
	20 - 30	208	Part Winding	60A @ 250V	023780209	1
	40 - 60	208	Part Winding	100A @ 250V	023780213	1
	15	230	Part Winding	30A @ 250V	023780204	1
	20 - 40	230	Part Winding	60A @ 250V	023780209	1
	50 & 60	230	Part Winding	100A @ 250V	023780213	1
	FB12	30	208	Across the Line	60A @ 250V	023780209
40 - 60		208	Across the Line	100A @ 250V	023780213	1
40		230	Across the Line	60A @ 250V	023780209	1
50 & 60		230	Across the Line	100A @ 250V	023780213	1
15		208	Part Winding	30A @ 250V	023780204	1
20 - 30		208	Part Winding	60A @ 250V	023780209	1
40 - 60		208	Part Winding	100A @ 250V	023780213	1
15		230	Part Winding	30A @ 250V	023780204	1
30 - 40		230	Part Winding	60A @ 250V	023780209	1
50 & 60		230	Part Winding	100A @ 250V	023780213	1
FUSEBLOCK, MAIN CONTROL TRANSFORMER						
FB13	Unit Voltage		Fuseblock Rating		Part Number	Quantity
	208 or 230		30A @ 250V		023780202	1
	380 or 460		30A @ 600V		023780203	1

* NOTE: Schematic symbols appear on unit wiring diagrams and components are marked with them at time of manufacture.

Lower Main Control Panel Components - Continued

Schematic* Symbol	Part Description				Part Number	Quantity
	Fan Horsepower	Fan Voltage	Fan Starting	Contactor Rating (FLA)		
CONTACTOR, SUPPLY AIR FAN						
M20	1 - 5	208	Across the Line	25 AMP	027514401	1
	7.5	208	Across the Line	30 AMP	027514402	1
	10	208	Across the Line	40 AMP	027514403	1
	15	208	Across the Line	50 AMP	027514404	1
	20	208	Across the Line	75 AMP	027514406	1
	25	208	Across the Line	90 AMP	027514407	1
	30	208	Across the Line	50 AMP	027514404	1
	40	208	Across the Line/Part Winding	75 AMP	027514406	1
	50, 60	208	Across the Line/Part Winding	90 AMP	027514407	1
	75	208	Across the Line/Part Winding	120 AMP	072288701	1
	100	208	Across the Line/Part Winding	200 AMP	027514409	1
	15	208	Part Winding	25 AMP	027514401	1
	20, 25	208	Part Winding	40 AMP	027514403	1
	30	208	Part Winding	50 AMP	027514404	1
	1 - 7.5	230	Across the Line	25 AMP	027514401	1
	10	230	Across the Line	30 AMP	027514402	1
	15	230	Across the Line	50 AMP	027514404	1
	20	230	Across the Line	60 AMP	027514405	1
	25	230	Across the Line	75 AMP	027514406	1
	30	230	Across the Line	90 AMP	027514407	1
	40	230	Across the Line	60 AMP	027514405	1
	50	230	Across the Line	75 AMP	027514406	1
	60	230	Across the Line	90 AMP	027514407	1
	75	230	Across the Line/Part Winding	120 AMP	072288701	1
	100	230	Across the Line/Part Winding	200 AMP	027514409	1
	15	230	Part Winding	25 AMP	027514401	1
	20	230	Part Winding	30 AMP	027514402	1
	25	230	Part Winding	40 AMP	027514403	1
	30, 40	230	Part Winding	50 AMP	027514404	1
	50, 60	230	Part Winding	75 AMP	027514406	1
	1-15	380,460	Across the Line	25 AMP	027514401	1
	20	380,460	Across the Line	30 AMP	027514402	1
	25	380,460	Across the Line	40 AMP	027514403	1
	30	380,460	Across the Line	50 AMP	027514404	1
	40	380,460	Across the Line	60 AMP	027514405	1
	50	380,460	Across the Line	75 AMP	027514406	1
	60	380,460	Across the Line	90 AMP	027514407	1
	75	380,460	Across the Line	100 AMP	072288701	1
	100	380,460	Across the Line	200 AMP	027514409	1

* NOTE: Schematic symbols appear on unit wiring diagrams and components are marked with them at time of manufacture.

Lower Main Control Panel Components - Continued

Schematic* Symbol	Part Description				Part Number	Quantity
	Fan Horsepower	Fan Voltage	Fan Starting	Contactor Rating (FLA)		
CONTACTOR, SUPPLY AIR FAN						
M21	30	208	Across the Line	50 AMP	027514104	1
	40	208	Across the Line	75 AMP	027514106	1
	50, 60	208	Across the Line	90 AMP	027514107	1
	75	208	Across the Line	120 AMP	027514108	1
	100	208	Across the Line	200 AMP	027514109	1
	15	208	Part Winding	25 AMP	027514101	1
	20, 25	208	Part Winding	40 AMP	027514103	1
	30	208	Part Winding	50 AMP	027514104	1
	40	208	Part Winding	75 AMP	027514106	1
	50, 60	208	Part Winding	90 AMP	027514107	1
	75	208	Part Winding	120 AMP	027514108	1
	100	208	Part Winding	200 AMP	027514109	1
	40	230	Across the Line	60 AMP	027514105	1
	50	230	Across the Line	75 AMP	027514106	1
	60	230	Across the Line	90 AMP	027514107	1
	75	230	Across the Line	120 AMP	027514108	1
	100	230	Across the Line	200 AMP	027514109	1
	15	230	Part Winding	25 AMP	027514101	1
	20	230	Part Winding	30 AMP	027514102	1
	25	230	Part Winding	40 AMP	027514103	1
	30, 40	230	Part Winding	50 AMP	027514104	1
	50, 60	230	Part Winding	75 AMP	027514106	1
	75	230	Part Winding	120 AMP	027514108	1
	100	230	Part Winding	200 AMP	027514109	1

* NOTE: Schematic symbols appear on unit wiring diagrams and components are marked with them at time of manufacture.

Lower Main Control Panel Components - Continued

Schematic* Symbol	Part Description				Part Number	Quantity
	Fan Horsepower	Fan Voltage	Fan Starting	Contactors Rating (FLA)		
CONTACTOR, RETURN AIR FAN						
M22	1-5	208	Across the Line	25 AMP	027514101	1
	7.5	208	Across the Line	30 AMP	027514102	1
	10	208	Across the Line	40 AMP	027514103	1
	15	208	Across the Line	50 AMP	027514104	1
	20	208	Across the Line	75 AMP	027514106	1
	25	208	Across the Line	90 AMP	027514107	1
	30	208	Across the Line	50 AMP	027514104	1
	40	208	Across the Line	75 AMP	027514106	1
	50, 60	208	Across the Line	90 AMP	027514107	1
	15	208	Part Winding	25 AMP	027514101	1
	20, 25	208	Part Winding	40 AMP	027514103	1
	30	208	Part Winding	50 AMP	027514104	1
	40	208	Part Winding	75 AMP	027514106	1
	50, 60	208	Part Winding	90 AMP	027514107	1
	1-7.5	230	Across the Line	25 AMP	027514101	1
	10	230	Across the Line	30 AMP	027514102	1
	15	230	Across the Line	50 AMP	027514104	1
	20	230	Across the Line	60 AMP	027514105	1
	25	230	Across the Line	75 AMP	027514106	1
	30	230	Across the Line	90 AMP	027514107	1
	40	230	Across the Line	60 AMP	027514105	1
	50	230	Across the Line	75 AMP	027514106	1
	60	230	Across the Line	90 AMP	027514107	1
	15	230	Part Winding	25 AMP	027514101	1
	20	230	Part Winding	30 AMP	027514102	1
	25	230	Part Winding	40 AMP	027514103	1
	30, 40	230	Part Winding	50 AMP	027514104	1
	50, 60	230	Part Winding	75 AMP	027514106	1
	1-15	380,460	Across the Line	25 AMP	027514101	1
	20	380,460	Across the Line	30 AMP	027514102	1
	25	380,460	Across the Line	40 AMP	027514103	1
	30	380,460	Across the Line	50 AMP	027514104	1
40	380,460	Across the Line	60 AMP	027514105	1	
50	380,460	Across the Line	75 AMP	027514106	1	
60	380,460	Across the Line	90 AMP	027514107	1	

* NOTE: Schematic symbols appear on unit wiring diagrams and components are marked with them at time of manufacture.

Lower Main Control Panel Components - Continued

Schematic* Symbol	Part Description				Part Number	Quantity
	Fan Horsepower	Fan Voltage	Fan Starting	Contactor Rating (FLA)		
CONTACTOR, RETURN AIR FAN - PART OR DUAL WINDING						
M23	30	208	Across the Line	50 AMP	027514104	1
	40	208	Across the Line	75 AMP	027514106	1
	50, 60	208	Across the Line	90 AMP	027514107	1
	75	208	Across the Line	120 AMP	027514108	1
	100	208	Across the Line	200 AMP	027514109	1
	15	208	Part Winding	25 AMP	027514101	1
	20, 25	208	Part Winding	30 AMP	027514103	1
	30	208	Part Winding	50 AMP	027514104	1
	40	208	Part Winding	75 AMP	027514106	1
	50, 60	208	Part Winding	90 AMP	027514107	1
	75	208	Part Winding	120 AMP	027514108	1
	100	208	Part Winding	200 AMP	027514109	1
	40	230	Across the Line	60 AMP	027514105	1
	50	230	Across the Line	75 AMP	027514106	1
	60	230	Across the Line	90 AMP	027514107	1
	15	230	Part Winding	25 AMP	027514101	1
	20	230	Part Winding	30 AMP	027514102	1
	25	230	Part Winding	40 AMP	027514103	1
	30, 40	230	Part Winding	50 AMP	027514104	1
	40, 60	230	Part Winding	75 AMP	027514106	1

* NOTE: Schematic symbols appear on unit wiring diagrams and components are marked with them at time of manufacture.

Lower Main Control Panel Components - Continued

Schematic* Symbol	Part Description			Part Numbers	
	Horsepower	Voltage	Fan Starting	Overload Relay	Heater
OVERLOAD RELAY & HEATER, SUPPLY & RETURN FAN					
OL1 & OL3	1	208	Across the Line	030189200	022977400
	1	230	Across the Line	030189200	031450066
	1	380, 460	Across the Line	030189200	031450020
	1.5	208	Across the Line	030189200	026114400
	1.5	230	Across the Line	030189200	031010100
	1.5	380, 460	Across the Line	030189200	031450024
	2	208	Across the Line	030189200	030192400
	2	230	Across the Line	030189200	026114600
	2	380, 460	Across the Line	030189200	026216000
	3	208	Across the Line	030189200	023466900
	3	230	Across the Line	030189200	023074700
	3	380, 460	Across the Line	030189200	030733600
	5	208	Across the Line	030189200	027401100
	5	230	Across the Line	030189200	024688500
	5	380, 460	Across the Line	030189200	030192400
	7.5	208	Across the Line	030189300	023689100
	7.5	230	Across the Line	030189200	026111700
	7.5	380, 460	Across the Line	030189200	027401000
	10	208	Across the Line	030189300	022773400
	10	230	Across the Line	030189300	023252800
	10	380, 460	Across the Line	030189200	024688500
	15	208	Across the Line	030189400	025861600
	15	208	Part Winding	030189200	023689100
	15	230	Across the Line	030189400	022613000
	15	230	Part Winding	030189200	026111700
	15	380, 460	Across the Line	030189200	026111700
	20	208	Across the Line	030189400	022613100
	20	208	Part Winding	030189300	022773400
	20	230	Across the Line	030189400	023074800
	20	230	Part Winding	030189300	022773400
	20	380, 460	Across the Line	030189300	023252800
	25	208	Across the Line	030189400	023467200
	25	208	Part Winding	030189300	023076000
25	230	Across the Line	030189400	022613100	
25	230	Part Winding	030189300	023252800	
25	380, 460	Across the Line	030189300	022773400	
30	208	Across the Line, Part Winding	030189400	022613000	
30	230	Part Winding	030189400	023467200	
30	230	Across the Line	030189400	023076000	
30	380, 460	Part Winding	030189204	023076000	

Note: 3 heaters per overload relay. 1, 2 or 4 overload relays per unit. OL1 & OL2=Supply fan overloads. OL3 & OL4=Return fan overloads.

* NOTE: Schematic symbols appear on unit wiring diagrams and components are marked with them at time of manufacture.

Lower Main Control Panel Components - Continued

Schematic* Symbol	Part Description			Part Numbers	
	Horsepower	Voltage	Fan Starting	Overload Relay	Heater
OVERLOAD RELAY & HEATER, SUPPLY & RETURN FAN					
OL1 & OL3	40	208	Across the Line/Part Winding	030189400	023074800
	40	230	Across the Line/Part Winding	030189400	025861600
	40	380,460	Across the Line	030189400	025861600
	50	208	Across the Line/Part Winding	030189400	021858500
	50	230	Across the Line/Part Winding	030189400	022613100
	50	380,460	Across the Line	030189400	022613100
	60	208	Across the Line/Part Winding	030189400	030192500
	60	230	Across the Line/Part Winding	030189400	023467200
	60	380,460	Across the Line	030189400	023467200
	75	208	Across the Line/Part Winding	030189500	030192600
	75	230	Across the Line/Part Winding	030189500	030192600
	75	380,460	Across the Line	030189500	030192600
	100	208	Across the Line/Part Winding	030189500	031450057
	100	230	Across the Line/Part Winding	030189500	031450057
	100	380,460	Across the Line	030189500	031450057
OL2 & OL4					
	15	208	Part Winding	030189200	023689100
	15	230	Part Winding	030189200	026111700
	20	208	Part Winding	030189300	022773400
	20	230	Part Winding	030189300	023252800
	25	208	Part Winding	030189300	023076000
	25	230	Part Winding	030189300	022773400
	30	208	Across the Line/Part Winding	030189400	022613000
	30	230	Part Winding	030189400	023076000
	40	208	Across the Line/Part Winding	030189400	023074800
	40	230	Across the Line/Part Winding	030189400	025861600
	50	208	Across the Line/Part Winding	030189400	021858500
	50	230	Across the Line/Part Winding	030189400	022613100
	60	208	Across the Line/Part Winding	030189400	030192500
	60	230	Across the Line/Part Winding	030189400	023467200
	75	208	Across the Line/Part Winding	030189500	030192600
	75	230	Across the Line/Part Winding	030189500	030192600
100	208	Across the Line/Part Winding	030189500	031450057	
100	230	Across the Line/Part Winding	030189500	031450057	

Note: 3 heaters per overload relay. 1, 2 or 4 overload relays per unit. OL1 & OL2=Supply fan overloads. OL3 & OL4=Return fan overloads.

* NOTE: Schematic symbols appear on unit wiring diagrams and components are marked with them at time of manufacture.

Lower Main Control Panel Components - Continued

Schematic* Symbol	Unit Voltage	Type of Heat (If Any)	Part Description	Part Number	
TRANSFORMERS					
T1	RPS/RFS-018B, 020B, 025B, 030B; RHS/RWS/RBS/RDS-800B				
	208	Electric or None	Step-Down, 208-115V, 0.500KVA	038253913	
	208	Gas	Step-Down, 208-115V, 1.000KVA	038253915	
	208	Fuel Oil	Consult McQuay Parts		
	230	Electric or None	Step-Down, 230-115V, 0.500KVA	038253904	
	230	Gas	Step-Down, 230-115V, 1.000KVA	038253906	
	230	Fuel Oil	Consult McQuay Parts		
	380	Electric or None	Step-Down, 380-115V, 0.500KVA	038253913	
	380	Gas	Step-Down, 380-115V, 1.000KVA	038253915	
	380	Fuel Oil	Consult McQuay Parts		
	460	Electric or None	Step-Down, 460-115V, 0.500KVA	038253904	
	460	Gas	Step-Down, 460-115V, 1.000KVA	038253906	
	460	Fuel Oil	Consult McQuay Parts		
	RPS/RFS-036B, 040B, 041B, 051B, 060B, 070B; RHS/RWS/RBS/RDS-802B, 804B				
	208	Electric, Gas, None	Step-Down, 208-115V, 1.000KVA	038253915	
	208	Fuel Oil	Consult McQuay Parts		
	230	Electric, Gas, None	Step-Down, 230-115V, 1.000KVA	038253906	
	230	Fuel Oil	Consult McQuay Parts		
	380	Electric, Gas, None	Step-Down, 380-115V, 1.000KVA	038253915	
	380	Fuel Oil	Consult McQuay Parts		
	460	Electric, Gas, None	Step-Down, 460-115V, 1.000KVA	038253906	
	460	Fuel Oil	Consult McQuay Parts		
	RPS/RFS-061B, 071B, 080B, 081B, 090B, 100B; RHS/RWS/RBS/RDS-806B, 808B				
	208	Electric or None	Step-Down, 208-115V,1.000 KVA	038253915	
	208	Gas	Step-Down, 208-115V,1.000 KVA-Htr.Model #020-100	038253915	
	208	Gas	Step-Down, 208-115V,2.000 KVA-Htr.Model #110-200	038253917	
	208	Fuel Oil	Consult McQuay Parts		
	230	Electric or None	Step-Down, 230-115V,1.000 KVA	038253906	
	230	Gas	Step-Down, 230-115V,1.000 KVA-Htr.Model #020-100	038253906	
	230	Gas	Step-Down, 230-115V,2.000 KVA-Htr.Model #110-200	038253908	
	230	Fuel Oil	Consult McQuay Parts		
	380	Electric or None	Step-Down, 380-115V,1.000 KVA	038253915	
	380	Gas	Step-Down, 380-115V,1.000 KVA-Htr.Model #020-100	038253915	
	380	Gas	Step-Down, 380-115V,2.000 KVA-Htr.Model #110-200	038253917	
	380	Fuel Oil	Consult McQuay Parts		
	460	Electric or None	Step-Down, 460-115V,1.000 KVA	038253906	
	460	Gas	Step-Down, 460-115V,1.000 KVA-Htr.Model #020-100	038253906	
	460	Gas	Step-Down, 460-115V,2.000 KVA-Htr.Model #110-200	038253908	
	460	Fuel Oil	Consult McQuay Parts		

* NOTE: Schematic symbols appear on unit wiring diagrams and components are marked with them at time of manufacture.

Lower Main Control Panel Components - Continued

Note: If the unit has electric heat, the DS1 is located in the electric heat section.

Schematic* Symbol	Unit Voltage	Supply Air Fan HP	Return Air Fan HP	Part Description	Part Number
CIRCUIT BREAKERS					
DS1	RPS/RFS - 018B				
	208/230	1.0 - 2.0	None, 1.0	100 Amp, 600 Volt, 3 Pole	025860602
	208/230	1.5	1.5	100 Amp, 600 Volt, 3 Pole	025860602
	208/230	2.0	1.5 - 2.0	250 Amp, 600 Volt, 3 Pole	047442104
	208/230	3.0	None	100 Amp, 600 Volt, 3 Pole	025860602
	208/230	3.0	All	250 Amp, 600 Volt, 3 Pole	047442104
	208/230	5.0 - 25.0	None, All	250 Amp, 600 Volt, 3 Pole	047442104
	380/460	1.0 - 5.0	None, All	60 Amp, 600 Volt, 3 Pole	031446200
	380/460	7.5	None, 1.0 - 2.0	60 Amp, 600 Volt, 3 Pole	031446200
	380/460	7.5	3.0 - 7.5	100 Amp, 600 Volt, 3 Pole	025860602
	380/460	10.0 - 25.0	None, All	100 Amp, 600 Volt, 3 Pole	025860602
	RPS/RFS-020B				
	208/230	All	All	250 Amp, 600 Volt, 3 Pole	047442104
	380/460	1.0 - 1.5	None, All	60 Amp, 600 Volt, 3 Pole	031446200
	380/460	2.0	None, 1.0 - 1.5	100 Amp, 600 Volt, 3 Pole	025860602
	380/460	2.0	2.0	100 Amp, 600 Volt, 3 Pole	025860602
	380/460	3.0	None	60 Amp, 600 Volt, 3 Pole	031446200
	380/460	3.0	All	100 Amp, 600 Volt, 3 Pole	025860602
	380/460	5.0 - 15.0	None, All	100 Amp, 600 Volt, 3 Pole	025860602
	380/460	20.0	None, 1.0 - 7.5	100 Amp, 600 Volt, 3 Pole	025860602
	380/460	20.0	10.0	250 Amp, 600 Volt, 3 Pole	047442104
	380/460	25.0	None, 1.0 - 3.0	100 Amp, 600 Volt, 3 Pole	025860602
	380/460	25.0	5.0 - 10.0	250 Amp, 600 Volt, 3 Pole	047442104
	RPS/RFS-025B				
	208/230	1.0 - 15.0	None, All	250 Amp, 600 Volt, 3 Pole	047442104
	208/230	20.0 - 25.0	7.5 - 10.00	400 Amp, 600 Volt, 3 Pole	047442109
	208/230	20.0 - 25.0	None, 1.0 - 5.0	250 Amp, 600 Volt, 3 Pole	047442104
	380/460	1.0 - 7.5	None, All	100 Amp, 600 Volt, 3 Pole	025860602
	380/460	10.0 - 15.0	None, 1.0 - 3.0	100 Amp, 600 Volt, 3 Pole	025860602
	380/460	10.0	5.0 - 7.5	100 Amp, 600 Volt, 3 Pole	025860602
380/460	15.0	5.0 - 10.0	250 Amp, 600 Volt, 3 Pole	047442104	
380/460	20.0 - 25.0	None, All	250 Amp, 600 Volt, 3 Pole	047442104	

* Schematic symbols appear on unit wiring diagrams and components are marked with them at time of manufacture.

DUE TO UNIT SPECIALS - Request vendor information and contact McQuay Parts.

Lower Main Control Panel Components - Continued

Note: If the unit has electric heat, the DS1 is located in the electric heat section.

Schematic* Symbol	Unit Voltage	Supply Air Fan HP	Return Air Fan HP	Part Description	Part Number
CIRCUIT BREAKERS					
DS1 (Continued from previous page)	RPS/RFS-030B				
	208/230	1.0 - 10.0	None, All	250 Amp, 600 Volt, 3 Pole	047442104
	208/230	15.0	None, 1.0 - 5.0	250 Amp, 600 Volt, 3 Pole	047442104
	208/230	15.0	7.5 - 10.0	400 Amp, 600 Volt, 3 Pole	047442109
	208/230	20.0	None, 1.0	250 Amp, 600 Volt, 3 Pole	047442104
	208/230	20.0	1.5 - 10.0	400 Amp, 600 Volt, 3 Pole	047442109
	208/230	25.0	None, All	400 Amp, 600 Volt, 3 Pole	047442109
	380/460	1.0 - 5.0	None, All	100 Amp, 600 Volt, 3 Pole	025860602
	380/460	7.5	1.0 - 2.0, 10.0	100 Amp, 600 Volt, 3 Pole	025860602
	380/460	7.5	3.0 - 7.5	250 Amp, 600 Volt, 3 Pole	047442104
	380/460	10.0	None	100 Amp, 600 Volt, 3 Pole	025860602
	380/460	10.0	All	250 Amp, 600 Volt, 3 Pole	047442104
	380/460	15.0 - 25.0	None, All	250 Amp, 600 Volt, 3 Pole	047442104
	RPS/RFS-036B, 040B, 041B				
	208/230	All	All	400 Amp, 600 Volt, 3 Pole	027070602
	380/460	All	All	250 Amp, 600 Volt, 3 Pole	047442104
	RPS/RFS-051B				
	208/230	All	None	400 Amp, 600 Volt, 3 Pole	027070602
	208	5.0 - 20.0	All	400 Amp, 600 Volt, 3 Pole	027070602
	208	25.0	2.0 - 15.0	400 Amp, 600 Volt, 3 Pole	027070602
	208	25.0	20.0	600 Amp, 600 Volt, 3 Pole	027070601
	208	30.0	2.0 - 10.0	400 Amp, 600 Volt, 3 Pole	027070602
	208	30.0	15.0 - 20.0	600 Amp, 600 Volt, 3 Pole	027070601
	230	40.0	All	600 Amp, 600 Volt, 3 Pole	027070601
	230	5.0 - 25.0	All	400 Amp, 600 Volt, 3 Pole	027070602
	230	30.0	2.0 - 10.0	400 Amp, 600 Volt, 3 Pole	027070602
	230	30.0	20.0	600 Amp, 600 Volt, 3 Pole	027070601
	230	40.0	2.0 - 7.5	400 Amp, 600 Volt, 3 Pole	027070602
	230	40.0	10.0 - 20.0	600 Amp, 600 Volt, 3 Pole	027070601
380/460	All	All	250 Amp, 600 Volt, 3 Pole	047442104	

* NOTE: Schematic symbols appear on unit wiring diagrams and components are marked with them at time of manufacture.

DUE TO UNIT SPECIALS - Request vendor information and contact McQuay Parts.

Lower Main Control Panel Components - Continued

Note: If the unit has electric heat, the DS1 is located in the electric heat section.

Schematic* Symbol	Unit Voltage	Supply Air Fan HP	Return Air Fan HP	Part Description	Part Number	
CIRCUIT BREAKERS						
DS1 (Continued from previous page)	RPS/RFS-060B					
	208/230	2.0 - 15.0	2.0 - 10.0, 20.0	400 Amp, 600 Volt, 3 Pole	027070602	
	208/230	2.0 - 25.0	None	400 Amp, 600 Volt, 3 Pole	027070602	
	208/230	20.0	2.0 - 7.5	400 Amp, 600 Volt, 3 Pole	027070602	
	208/230	25.0	2.0	400 Amp, 600 Volt, 3 Pole	027070602	
	208/230	25.0	7.5 - 20.0	600 Amp, 600 Volt, 3 Pole	027070601	
	208	30.0 - 40.0	All	600 Amp, 600 Volt, 3 Pole	027070601	
	208	15.0	15.0	600 Amp, 600 Volt, 3 Pole	027070601	
	208	20.0	10.0 - 20.0	600 Amp, 600 Volt, 3 Pole	027070601	
	208	25.0	3.0 - 20.0	600 Amp, 600 Volt, 3 Pole	027070601	
	208	30.0 - 40.0	None	600 Amp, 600 Volt, 3 Pole	027070601	
	208	15.0	15.0	400 Amp, 600 Volt, 3 Pole	027070602	
	230	20.0	15.0, 20.0	600 Amp, 600 Volt, 3 Pole	027070601	
	230	25.0	3.0 - 5.0	400 Amp, 600 Volt, 3 Pole	027070602	
	230	30.0	None	400 Amp, 600 Volt, 3 Pole	027070602	
	380/460	40.0	None	600 Amp, 600 Volt, 3 Pole	027070601	
	380/460	2.0 - 25.0	None, All	250 Amp, 600 Volt, 3 Pole	047442104	
	380/460	30.0	2.0 - 15.0	250 Amp, 600 Volt, 3 Pole	047442104	
	380/460	30.0	20.0	400 Amp, 600 Volt, 3 Pole	027070602	
	380/460	40.0	2.0 - 7.5	250 Amp, 600 Volt, 3 Pole	047442104	
	380/460	40.0	10.0 - 20.0	400 Amp, 600 Volt, 3 Pole	027070602	
	RPS/RFS-070B					
	208/230	15.0 - 40.0	None, All	600 Amp, 600 Volt, 3 Pole	027070601	
	208	2.0 - 3.0	None, All	400 Amp, 600 Volt, 3 Pole	027070602	
	208	5.0 - 10.0	None, All	600 Amp, 600 Volt, 3 Pole	027070601	
	230	2.0 - 5.0	None, All	400 Amp, 600 Volt, 3 Pole	027070602	
	230	7.5	2.0-5.0	400 Amp, 600 Volt, 3 Pole	027070602	
	230	7.5	10.00 - 20.00	400 Amp, 600 Volt, 3 Pole	027070602	
	230	7.5	7.5	600 Amp, 600 Volt, 3 Pole	027070601	
	230	10.0	None, 2.0,3.0	400 Amp, 600 Volt, 3 Pole	027070602	
	230	10.0	5.0 - 10.0	600 Amp, 600 Volt, 3 Pole	027070601	
230	2.0 - 15.0	None, All	250 Amp, 600 Volt, 3 Pole	047442104		
380/460	20.0	2.0 - 10.0	250 Amp, 600 Volt, 3 Pole	047442104		
380/460	20.0	15.0 - 20.0	400 Amp, 600 Volt, 3 Pole	027070602		
380/460	25.0	None, 2.0 - 5.0	250 Amp, 600 Volt, 3 Pole	047442104		
380/460	25.0	7.5 - 20.0	400 Amp, 600 Volt, 3 Pole	027070602		
380/460	30.0	None	250 Amp, 600 Volt, 3 Pole	047442104		
380/460	30.0	All	400 Amp, 600 Volt, 3 Pole	027070602		
380/460	40.0	None, All	400 Amp, 600 Volt, 3 Pole	027070602		

* NOTE: Schematic symbols appear on unit wiring diagrams and components are marked with them at time of manufacture.

DUE TO UNIT SPECIALS - Request vendor information and contact McQuay Parts.

Lower Main Control Panel Components - Continued

Note: If the unit has electric heat, the DS1 is located in the electric heat section.

Schematic* Symbol	Unit Voltage	Supply Air Fan HP	Return Air Fan HP	Part Description	Part Number
CIRCUIT BREAKERS					
DS1 (Continued from previous page)	RPS/RFS-061B, 071B				
	208	5.0 - 10.0	None	600 Amp, 600 Volt, 3 Pole	027070601
	208	5.0, 7.5	5.0	600 Amp, 600 Volt, 3 Pole	027070601
	208	40.0	30.0	800 Amp, 600 Volt, 3 Pole	031019401
	208	50.0	25.0, 30.0	800 Amp, 600 Volt, 3 Pole	031019401
	208	50.0 - 60.0	20.0	800 Amp, 600 Volt, 3 Pole	031019401
	208	60.0	10.0, 15.0	800 Amp, 600 Volt, 3 Pole	031019401
	230	5.0 - 10.0	None	400 Amp, 600 Volt, 3 Pole	027070602
	230	5.0, 7.5	5.0	400 Amp, 600 Volt, 3 Pole	027070602
	230	40.0	30.0	600 Amp, 600 Volt, 3 Pole	027070601
	230	50.0	25.0, 30.0	600 Amp, 600 Volt, 3 Pole	027070601
	230	50.0, 60.0	20.0	600 Amp, 600 Volt, 3 Pole	027070601
	230	60.0	10.0, 15.0	600 Amp, 600 Volt, 3 Pole	027070601
	208/230	7.5	7.5	600 Amp, 600 Volt, 3 Pole	027070601
	208/230	10.0	5.0, 10.0	600 Amp, 600 Volt, 3 Pole	027070601
	208/230	15.0 - 30.0	10.0 - 30.0	600 Amp, 600 Volt, 3 Pole	027070601
	208/230	15.0 - 60.0	None, 5.0, 7.5	600 Amp, 600 Volt, 3 Pole	027070601
	208/230	40.0	20.0, 25.0	600 Amp, 600 Volt, 3 Pole	027070601
	208/230	40.0, 50.0	10.0, 15.0	600 Amp, 600 Volt, 3 Pole	027070601
	208/230	60.0	25.0 - 30.0	800 Amp, 600 Volt, 3 Pole	031019401
	380/460	5.0 - 20.0	None, 5.0 - 15.0	250 Amp, 600 Volt, 3 Pole	047442104
	380/460	20.0	20.0	400 Amp, 600 Volt, 3 Pole	027070602
	380/460	25.0	None, 5.0	250 Amp, 600 Volt, 3 Pole	047442104
	380/460	30.0	None	250 Amp, 600 Volt, 3 Pole	047442104
	380/460	30.0	5.0	400 Amp, 600 Volt, 3 Pole	027070602
	380/460	40.0 - 60.0	None, 5.0	400 Amp, 600 Volt, 3 Pole	027070602
	380/460	25.0 - 60.0	7.5 - 30.0	400 Amp, 600 Volt, 3 Pole	027070602

* NOTE: Schematic symbols appear on unit wiring diagrams and components are marked with them at time of manufacture.

DUE TO UNIT SPECIALS - Request vendor information and contact McQuay Parts.

Lower Main Control Panel Components - Continued

Note: If the unit has electric heat, the DS1 is located in the electric heat section.

Schematic* Symbol	Unit Voltage	Supply Air Fan HP	Return Air Fan HP	Part Description	Part Number	
CIRCUIT BREAKERS						
DS1 (Continued from previous page)	RPS/RFS-080B, 081B					
	208/230	5.0 - 30.0	5.0 - 25.0	600 Amp, 600 Volt, 3 Pole	027070601	
	208/230	40.0	10.0, 15.0	600 Amp, 600 Volt, 3 Pole	027070601	
	208/230	40.0	30.0	800 Amp, 600 Volt, 3 Pole	031019401	
	208/230	40.0, 50.0	None, 5.0, 7.5	600 Amp, 600 Volt, 3 Pole	027070601	
	208/230	50.0, 60.0	20.0 - 30.0	800 Amp, 600 Volt, 3 Pole	031019401	
	208/230	60.0	None	600 Amp, 600 Volt, 3 Pole	027070601	
	208/230	60.0	7.5 - 15.0	800 Amp, 600 Volt, 3 Pole	031019401	
	208	30.0	30.0	800 Amp, 600 Volt, 3 Pole	031019401	
	208	40.0	20.0, 25.0	800 Amp, 600 Volt, 3 Pole	031019401	
	208	50.0	7.5 - 15.0	800 Amp, 600 Volt, 3 Pole	031019401	
	208	60.0	5.0	800 Amp, 600 Volt, 3 Pole	031019401	
	230	30.0	30.0	600 Amp, 600 Volt, 3 Pole	027070601	
	230	40.0	20.0, 25.0	600 Amp, 600 Volt, 3 Pole	027070601	
	230	50.0	10.0 - 15.0	600 Amp, 600 Volt, 3 Pole	027070601	
	230	60.0	5.0	600 Amp, 600 Volt, 3 Pole	027070601	
	380/460	5.0, 7.5	None, 5.0	250 Amp, 600 Volt, 3 Pole	047442104	
	380/460	7.5	None	250 Amp, 600 Volt, 3 Pole	047442104	
	380/460	7.5, 10.0	7.5, 10.0	400 Amp, 600 Volt, 3 Pole	020707602	
	380/460	10.0	5.0	400 Amp, 600 Volt, 3 Pole	027070602	
	380/460	15.0 - 60.0	None, All	400 Amp, 600 Volt, 3 Pole	027070602	
	RPS/RFS-090B					
	208/230	5.0-20.0	None, 5.0-20.0	600 Amp, 600 Volt, 3 Pole	027070601	
	208/230	25.0	15.0	600 Amp, 600 Volt, 3 Pole	027070601	
	208/230	25.0,30.0	None, 5.0-10.0	600 Amp, 600 Volt, 3 Pole	027070601	
	208/230	25.0 - 40.0	25.0, 30.0	800 Amp, 600 Volt, 3 Pole	031019401	
	208/230	30.0	20.0	800 Amp, 600 Volt, 3 Pole	031019401	
	208/230	40.0	None	600 Amp, 600 Volt, 3 Pole	031019401	
	208/230	40.0	10.0	800 Amp, 600 Volt, 3 Pole	031019401	
	208/230	40.0	15.0, 20.0	800 Amp, 600 Volt, 3 Pole	031019401	
	208/230	50.0, 60.0	None, All	800 Amp, 600 Volt, 3 Pole	031019401	
	208	25.0	20.0	800 Amp, 600 Volt, 3 Pole	031019401	
	208	30.0	15.0	800 Amp, 600 Volt, 3 Pole	031019401	
	208	40.0	5.0, 7.5	800 Amp, 600 Volt, 3 Pole	031019401	
	230	25.0	20.0	600 Amp, 600 Volt, 3 Pole	027070601	
	230	30.0	15.0	600 Amp, 600 Volt, 3 Pole	027070601	
	230	40.0	5.0 - 7.5	600 Amp, 600 Volt, 3 Pole	027070601	
	380/460	All	All	400 Amp, 600 Volt, 3 Pole	027070602	

* NOTE: Schematic symbols appear on unit wiring diagrams and components are marked with them at time of manufacture.

DUE TO UNIT SPECIALS - Request vendor information and contact McQuay Parts.

Lower Main Control Panel Components - Continued

Note: If the unit has electric heat, the DS1 is located in the electric heat section.

Schematic* Symbol	Unit Voltage	Supply Air Fan HP	Return Air Fan HP	Part Description	Part Number	
CIRCUIT BREAKERS						
DS1 (Continued from previous page)	RPS/RFS-100B					
	208/230	5.0 - 10.0	None, 5.0 - 10.0	600 Amp, 600 Volt, 3 Pole	027070601	
	208/230	15.0	5.0	600 Amp, 600 Volt, 3 Pole	027070601	
	208/230	15.0, 20.0	None	600 Amp, 600 Volt, 3 Pole	027070601	
	208/230	15.0, 20.0	15.0 - 20.0	800 Amp, 600 Volt, 3 Pole	031019401	
	208/230	25.0 - 50.0	5.0 - 30.0	800 Amp, 600 Volt, 3 Pole	031019401	
	208/230	40.0 - 60.0	None	800 Amp, 600 Volt, 3 Pole	031019401	
	208/230	60.0	5.0 - 20.0	800 Amp, 600 Volt, 3 Pole	031019401	
	208	15.0, 20.0	7.5, 10.0	800 Amp, 600 Volt, 3 Pole	031019401	
	208	20.0	5.0	800 Amp, 600 Volt, 3 Pole	031019401	
	208	25.0, 30.0	None	800 Amp, 600 Volt, 3 Pole	031019401	
	208	60.0	25.0, 30.0	1200 Amp, 600 Volt, 3 Pole	031019501	
	230	15.0, 20.0	7.5, 10.0	600 Amp, 600 Volt, 3 Pole	027070601	
	230	20.0	5.0	600 Amp, 600 Volt, 3 Pole	027070601	
	230	25.0, 30.0	None	600 Amp, 600 Volt, 3 Pole	027070601	
	230	60.0	25.0, 30.0	600 Amp, 600 Volt, 3 Pole	031019401	
	380/460	All	All	400 Amp, 600 Volt, 3 Pole	027070602	
	RHS/RWS/RBS/RDS-800B					
	208/230	1.0 - 7.5	None, All	60 Amp, 600 Volt, 3 Pole	031446200	
	208/230	10.0, 15.0	None, 1.0	60 Amp, 600 Volt, 3 Pole	031446200	
	208/230	10.0	1.5 - 5.0	60 Amp, 600 Volt, 3 Pole	031446200	
	208/230	10.0	7.5, 10.0	100 Amp, 600 Volt, 3 Pole	025860602	
	208/230	15.0, 20.0	1.5 - 7.5	100 Amp, 600 Volt, 3 Pole	025860602	
	208/230	15.0, 20.0	10.0	250 Amp, 600 Volt, 3 Pole	039903202	
	208/230	20.0	None, 1.0	100 Amp, 600 Volt, 3 Pole	025860602	
	380/460	All	All	60 Amp, 600 Volt, 3 Pole	031446200	
	RHS/RWS/RBS/RDS-802B					
	208/230	2.0 - 10.0	None, 2.0 - 5.0	60 Amp, 600 Volt, 3 Pole	031446200	
	208/230	7.5	7.5	60 Amp, 600 Volt, 3 Pole	031446200	
	208/230	10.0	7.5 - 10.0	100 Amp, 600 Volt, 3 Pole	025860602	
208/230	15.0	None	60 Amp, 600 Volt, 3 Pole	031446200		
208/230	15.0 - 30.0	2.5, 3.0	100 Amp, 600 Volt, 3 Pole	025860602		
208/230	15.0 - 20.0	5.0, 7.5	100 Amp, 600 Volt, 3 Pole	025860602		
208/230	20.0 - 30.0	None	100 Amp, 600 Volt, 3 Pole	025860602		
208/230	25.0 - 30.0	5.0 - 10.0	250 Amp, 600 Volt, 3 Pole	047442104		
380/460	All	2.0 - 7.5	60 Amp, 600 Volt, 3 Pole	031446200		
380/460	All	10.0 - 15.0	100 Amp, 600 Volt, 3 Pole	025860602		

* NOTE: Schematic symbols appear on unit wiring diagrams and components are marked with them at time of manufacture.

DUE TO UNIT SPECIALS - Request vendor information and contact McQuay Parts.

Lower Main Control Panel Components - Continued

Note: If the unit has electric heat, the DS1 is located in the electric heat section.

Schematic* Symbol	Unit Voltage	Supply Air Fan HP	Return Air Fan HP	Part Description	Part Number
CIRCUIT BREAKERS					
DS1 (Continued from previous page)	RHS/RWS/RBS/RDS-804B				
	208/230	2.0 - 7.5	None, 2.0 - 7.5	60 Amp, 600 Volt, 3 Pole	031446200
	208/230	10.0	None, 2.0 - 5.0	60 Amp, 600 Volt, 3 Pole	031446200
	208/230	10.0	7.5, 10.0	100 Amp, 600 Volt, 3 Pole	025860602
	208/230	15.0	None	60 Amp, 600 Volt, 3 Pole	031446200
	208/230	15.0, 20.0	2.0 - 7.5	100 Amp, 600 Volt, 3 Pole	025860602
	208/230	20.0, 25.0	None	100 Amp, 600 Volt, 3 Pole	025860602
	208/230	30.0 - 40.0	None	250 Amp, 600 Volt, 3 Pole	047442104
	208	15.0	10.0	100 Amp, 600 Volt, 3 Pole	025860602
	208	15.0	15.0	250 Amp, 600 Volt, 3 Pole	047442104
	208	20.0	10.0 - 20.0	250 Amp, 600 Volt, 3 Pole	047442104
	208	25.0	All	250 Amp, 600 Volt, 3 Pole	047442104
	208	30.0 - 40.0	None	250 Amp, 600 Volt, 3 Pole	047442104
	230	10.0	7.5	60 Amp, 600 Volt, 3 Pole	031446200
	230	10.0	10.0	100 Amp, 600 Volt, 3 Pole	025860602
	230	15.0	10.0 - 15.0	100 Amp, 600 Volt, 3 Pole	025860602
	230	20.0	10.0	100 Amp, 600 Volt, 3 Pole	025860602
	230	20.0	15.0, 20.0	250 Amp, 600 Volt, 3 Pole	047442104
	230	25.0	2.0 - 5.0	100 Amp, 600 Volt, 3 Pole	025860602
	230	25.0	7.5 - 20.0	250 Amp, 600 Volt, 3 Pole	047442104
	230	30.0	None	100 Amp, 600 Volt, 3 Pole	025860002
	230	40.0	None	250 Amp, 600 Volt, 3 Pole	047442104
	380/460	2.0 - 20.0	None, All	60 Amp, 600 Volt, 3 Pole	031446200
	380/460	25.0 - 30.0	None, 2.0 - 7.5	60 Amp, 600 Volt, 3 Pole	031446200
	380/460	25.0	10.0	60 Amp, 600 Volt, 3 Pole	031446200
	380/460	25.0 - 40.0	15.0, 20.0	100 Amp, 600 Volt, 3 Pole	025860602
	380/460	30.0, 40.0	10.0	100 Amp, 600 Volt, 3 Pole	025860602
	380/460	40.0	None	60 Amp, 600 Volt, 3 Pole	031446200
	380/460	40.0	2.0 - 7.5	100 Amp, 600 Volt, 3 Pole	025860602

* NOTE: Schematic symbols appear on unit wiring diagrams and components are marked with them at time of manufacture.

DUE TO UNIT SPECIALS - Request vendor information and contact McQuay Parts.

Lower Main Control Panel Components - Continued

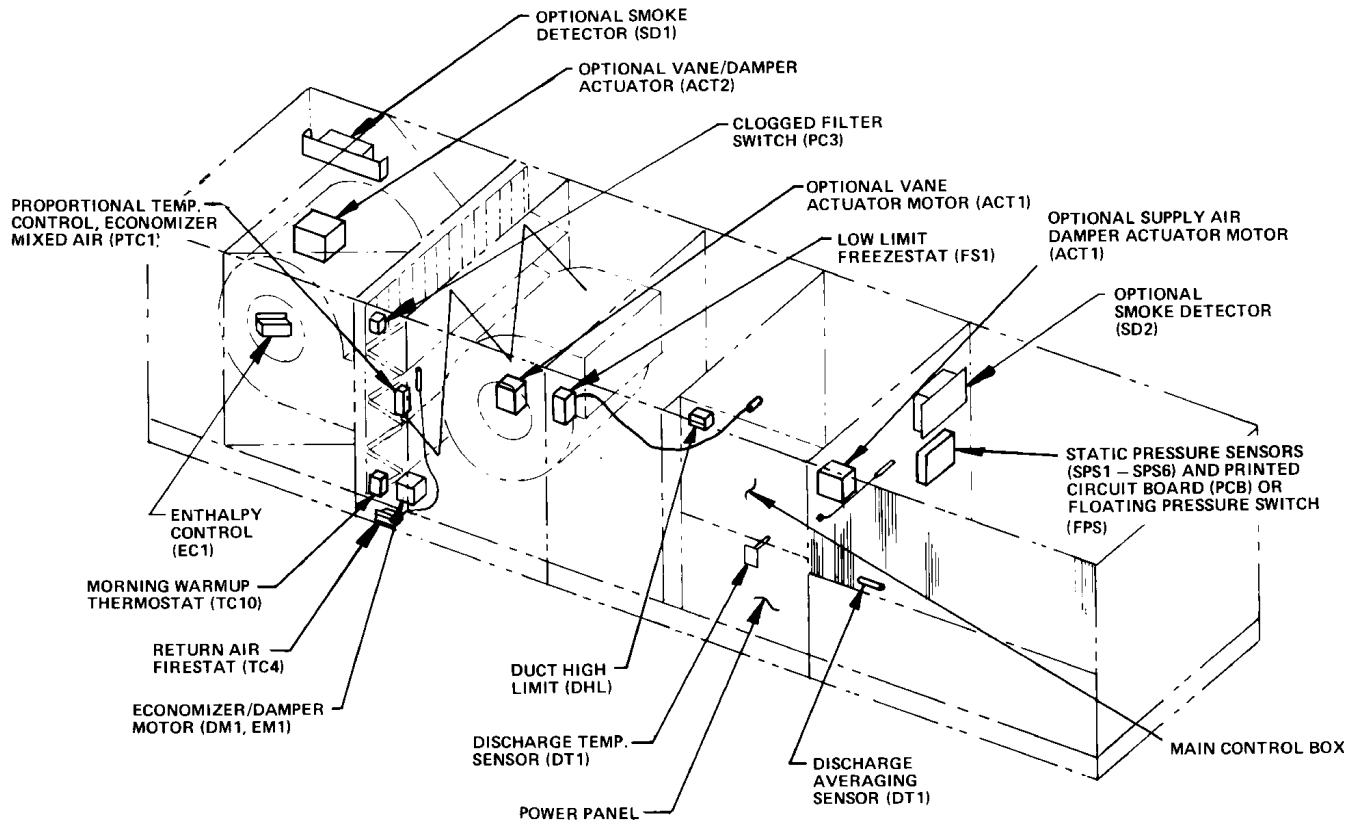
Note: If the unit has electric heat, the DS1 is located in the electric heat section.

Schematic* Symbol	Unit Voltage	Supply Air Fan HP	Return Air Fan HP	Part Description	Part Number
CIRCUIT BREAKERS					
DS1 (Continued from previous page)	RHS/RWS/RBS/RDS-806B, 808B				
	208/230	5.0 - 10.0	None	60 Amp, 600 Volt, 3 Pole	031446200
	208/230	5.0 - 10.0	All	100 Amp, 600 Volt, 3 Pole	025860602
	208/230	15.0 - 20.0	All	250 Amp, 600 Volt, 3 Pole	047442104
	208/230	20.0 - 25.0	None	100 Amp, 600 Volt, 3 Pole	025860602
	208/230	30.0 - 60.0	None, 5.0, 7.5	250 Amp, 600 Volt, 3 Pole	047442104
	208/230	20.0 - 50.0	10.0, 15.0	250 Amp, 600 Volt, 3 Pole	047442104
	208/230	30.0 - 40.0	20.0 - 25.0	250 Amp, 600 Volt, 3 Pole	047442104
	208/230	30.0	30.0	250 Amp, 600 Volt, 3 Pole	047442104
	208/230	40.0 - 60.0	30.0	400 Amp, 600 Volt, 3 Pole	027070602
	208/230	50.0, 60.0	20.0, 25.0	400 Amp, 600 Volt, 3 Pole	027070602
	208/230	60.0	10.0, 15.0	400 Amp, 600 Volt, 3 Pole	027070602
	380/460	5.0 - 15.0	None, All	60 Amp, 600 Volt, 3 Pole	031446200
	380/460	20.0 - 40.0	None	60 Amp, 600 Volt, 3 Pole	031446200
	380/460	20.0 - 30.0	All	100 Amp, 600 Volt, 3 Pole	025860602
	380/460	40.0, 50.0	5.0 - 15.0	100 Amp, 600 Volt, 3 Pole	025860602
	380/460	40.0	20.0, 25.0	100 Amp, 600 Volt, 3 Pole	025860602
	380/460	40.0 - 60.0	30.0	250 Amp, 600 Volt, 3 Pole	047442104
	380/460	50.0 - 60.0	None	100 Amp, 600 Volt, 3 Pole	025860602
	380/460	50.0 - 60.0	20.0, 25.0	250 Amp, 600 Volt, 3 Pole	047442104
380/460	60.0	5.0, 10.0	250 Amp, 600 Volt, 3 Pole	047442104	

* NOTE: Schematic symbols appear on unit wiring diagrams and components are marked with them at time of manufacture.

DUE TO UNIT SPECIALS - Request vendor information and contact McQuay Parts.

Miscellaneous Controls Control Locations



Miscellaneous Controls Components

Schematic* Symbol	Part Description	Type of Unit Control System	Part Number	Qty/ Unit
ACT1	Actuator, Damper Control, Supply Air (Discharge)	All Types	031771701	1
ACT1	Actuator, Inlet Vanes, Supply Air Motor, 5-10 Hp	All Types	031771701	1
ACT1	Actuator, Inlet Control, Supply Air Motor, 15-30 Hp	All Types	031771702	1
ACT1	Actuator, Inlet Vanes, Supply Air Motor, 40-60 Hp	All Types	031771600	1
ACT2	Actuator, Damper Control, Return Air	All Types	031771701	1
ACT2	Actuator, Inlet Vanes, Return Air Motor, 5-10 Hp	All Types	031771701	1
ACT2	Actuator, Inlet Control, Return Air Motor, 15-30 Hp	All Types	031771702	1
ACT2	Relay for ACT-2, Unit w/Floating Pressure Switch	All Types	031789400	1
ACT2	Resistor for ACT-2, 5 ohms 50W Units with Floating Pressure Switch	All Types	033381401	1
DHL	Duct High Limit, Pressure Switch. Units with Variable Inlet Vanes.	All Types	028750203	1
		MicroTech Controls	066534807	1
DM1/EM1	Economizer/Damper Motor	Honeywell/Conventional	066534801	1
DT1	Discharge Temp. Sensor, Units with CP1 (W973B)	Solid-state	030708401	1
DT1	Discharge Averaging Sensor Units w/DAC1 (W7100)	Discharge Air	041772400	1
EC1	Enthalpy Control (Electronic)	All Types	049262201	1
EC1	Enthalpy Control (Electromechanical)	All Types	030706702	1
EC1	Knob for Enthalpy Control	All Types	026215500	1
FPS	Floating Pressure Switch	All Types	049757801	1
FS1	Low Limit Freezestat, Thermostat	All Types	023796401	1
PC3	Pressure Control, Clogged Filter Switch	All Types	025866600	1
PCB	Printed Circuit Board. Units w/Electronic Pressure Control (EPC)	All Types	038686300	1
PTC1	Proportional Temp. Control, Economizer Mixed Air	Conventional	024214500	1
SD1	Smoke Detector Control, Return Air	All Types prior to 9/87	039899000	1
SD2	Smoke Detector Control, Supply Air	All Types prior to 9/87	039899000	1
SD1	Smoke Detector Control, Return Air	All Types after 9/87	049025001	1
SD2	Smoke Detector Control, Supply Air	All Types after 9/87	049025001	1
SPS1- SPS6	Static Pressure Sensor Units with Electronic Pressure Control (EPC)	All Types	038684500	1
TC4	Thermostat Control, Firestat 125°	All Types	027672500	1
TC10	Thermostat Control, Morning Warm-up	All Types	023796406	1
VM1, VM2 (Not Shown)	Valve Motor, Modulating with Spring Return. Units with Steam Heat	Solid-state	066534801	1
	Valve Motor, Modulating with Spring Return. Units with Cooling or Hot Water Heating Coil.	Solid-state	066534801	1
	Transformer for VM1, VM2	Solid-state	067112601	1
	Valve Motor, Modulating with Spring Return. RWS Units with W7100D Control Only.	Discharge Air	066534801	1

* Schematic symbols appear on unit wiring diagrams and components are marked with them at time of manufacture.

NOTES: There are three types of optional control systems;

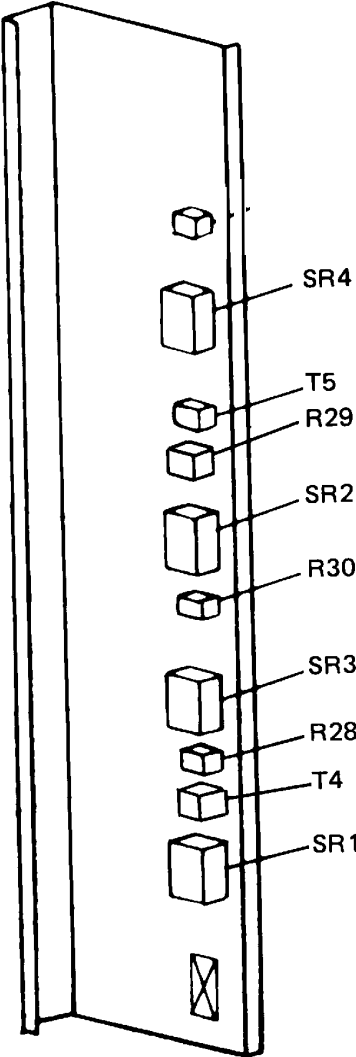
A) *Discharge Air Control* - Units with Honeywell W7100 (DAC 10).

B) *Solid-state Control* - Units with Honeywell W973B (CP1).

C) *Conventional Control* - Units less W7100 (DAC1) and W973B (CP1).

Electric Heat Control Panel

Note: Figure depicts all optional components. Various combinations of parts shown occur according to heater voltage, total heater wattage, and unit size.

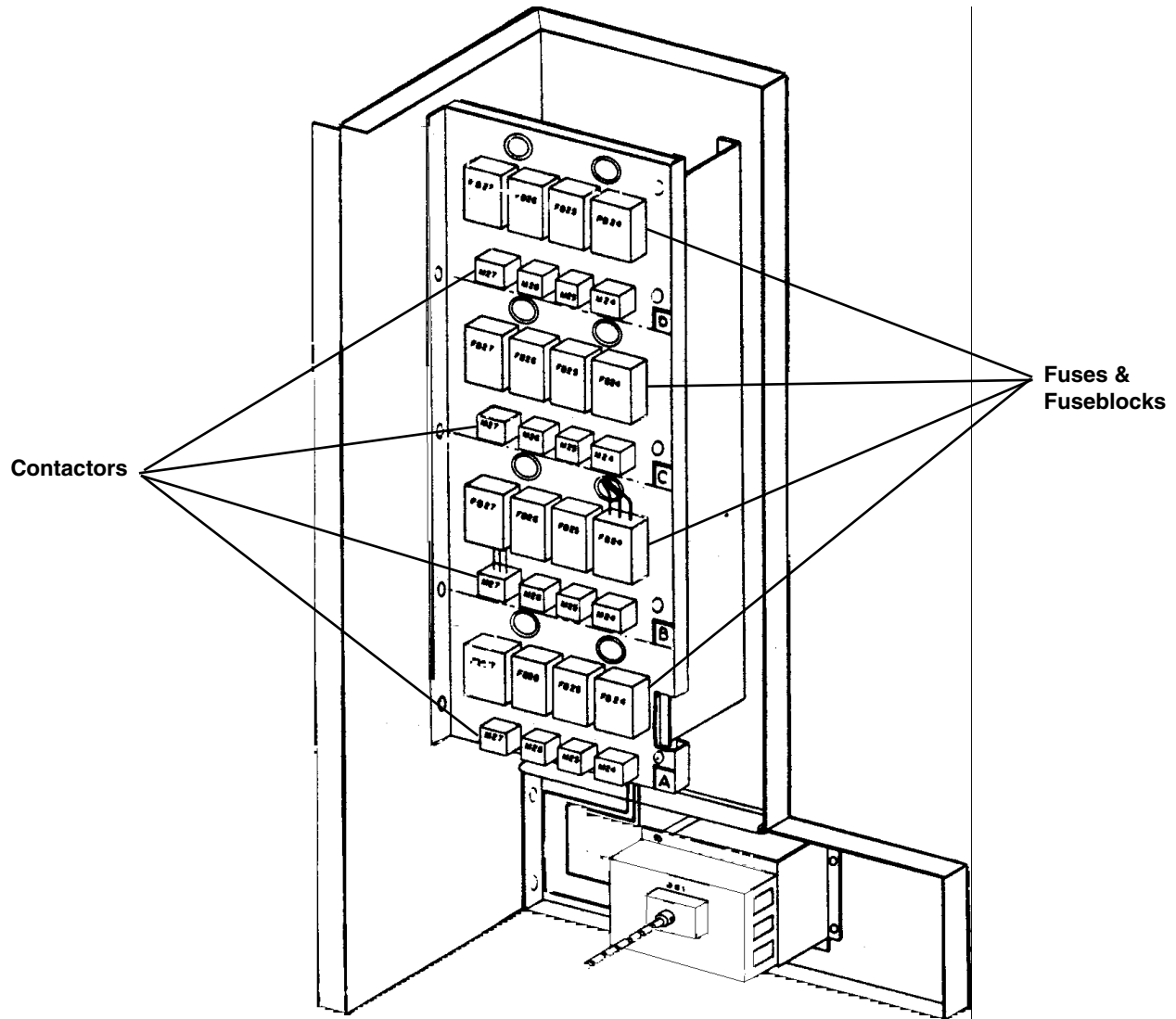


Schematic* Symbol	Part Description	Part Number
SR1, 2, 3, 4	Electric Sequencer, Time Delay, 24VAC Coil	031002304
R28, 29, 30	Relay, Control, SPDT, 120 VAC Coil	028036200
T4, 5	Transformer, Control, 120 V/60 Hz, Primary, 25 V Secondary	030886400

* NOTE: Schematic symbols appear on unit wiring diagrams and components are marked with them at time of manufacture.

Electric Heat Power Panel Diagram & Components

Note: Figure depicts highest heater wattage application, various combinations of parts shown occur according to total heater wattage and unit size.



Schematic* Symbol	Heater Voltage	Part Description	Rating	Part Number
CONTACTORS				
M24, 25, 26, 27	All	3 Pole, 104 -120 VAC Coil	600 Volts	027514103
FUSE BLOCKS				
FB24, 25, 26, 27	208-230	3 Fuse, 3 Pole	60 Amp @ 250 Volt	023780209
	380-460	3 Fuse, 3 Pole	60 Amp @ 600 Volt	023780210
FUSES				
FB24, 25, 26, 27	208-230	Cartridge Dual Element	60 Amp @ 250 Volt	025860514
	380-460	Cartridge Dual Element	60 Amp @ 600 Volt	025860414
HEATER LIMIT, LINEAR (NOT SHOWN)				
HL13, 14, 15, 16	All	High Limit, Thermostat, Opens at 180° F, 66" Long Capillary		028398200

*Schematic symbols appear on unit wiring diagrams.

Electric Heat Power Panel Components - All Sizes

Schematic* Symbol	Total Heater Kilowatts	Heater Voltage	Part Description	Part Number
CIRCUIT BREAKER				
DS1	RPS/RFS- 018B, 020B, 025B, 030B, 036B, 040B			
	20, 40, 60, 80	208/230	400 Amp, 600 Volt, 3 Pole	027070602
	20, 40, 60, 80	380/460	250 Amp, 600 Volt, 3 Pole	047442104
	100	208/230	600 Amp, 600 Volt, 3 Pole	027070601
	100	380/460	250 Amp, 600 Volt, 3 Pole	047442104
	120, 140, 160	208/230	600 Amp, 600 Volt, 3 Pole	027070601
	120, 140, 160	380/460	400 Amp, 600 Volt, 3 Pole	027070602
	180, 200	380/460	400 Amp, 600 Volt, 3 Pole	027070602
	220, 240	380/460	400 Amp, 600 Volt, 3 Pole	027070602
	ALL	ALL	Handle, for all circuit breakers	025862300
	RPS/RFS- 041B, 051B, 060B, 070B			
	30, 60, 90, 120	208/230	600 Amp, 600 Volt, 3 Pole	027070601
	30, 60, 90, 120	380/460	400 Amp, 600 Volt, 3 Pole	027070602
	150, 180	208/230	800 Amp, 600 Volt, 3 Pole	031019401
	150, 180	380/460	400 Amp, 600 Volt, 3 Pole	027070602
	210	208/230	1200 Amp, 600 Volt, 3 Pole	031019501
	210	380/460	400 Amp, 600 Volt, 3 Pole	027070602
	240	208/230	1200 Amp, 600 Volt, 3 Pole	031019501
	240	380/460	600 Amp, 600 Volt, 3 Pole	027070601
	270, 300, 330	380/460	600 Amp, 600 Volt, 3 Pole	027070601
	360	380/460	800 Amp, 600 Volt, 3 Pole	031019401
	ALL	ALL	Handle, for all circuit breakers	025872300
	RPS/RFS- 061B, 071B, 080B, 081B			
	40, 80, 120, 160	208/230	800 Amp, 600 Volt, 3 Pole	031019401
	40, 80, 120, 160	380/460	400 Amp, 600 Volt, 3 Pole	027070602
	200, 240, 280, 320	208/230	1200 Amp, 600 Volt, 3 Pole	031019501
	200, 240, 280, 320	380/460	600 Amp, 600 Volt, 3 Pole	027070601
	360, 400, 440, 480	380/460	800 Amp, 600 Volt, 3 Pole	031019401
	ALL	ALL	Handle, for all circuit breakers	025862300

* NOTE: Schematic symbols appear on unit wiring diagrams and components are marked with them at time of manufacture.

Electric Heat Power Panel Components - All Sizes, Continued

Schematic* Symbol	Total Heater Kilowatts	Heater Voltage	Part Description	Part Number
CIRCUIT BREAKER				
DS1	RPS/RFS-090B			
	40	208	1200 Amp, 600 Volt, 3 Pole	031019501
	40	230	800 Amp, 600 Volt, 3 Pole	031019401
	40	380/460	400 Amp, 600 Volt, 3 Pole	027070602
	80	208	1200 Amp, 600 Volt, 3 Pole	031019501
	80	230	800 Amp, 600 Volt, 3 Pole	031019401
	80	380/460	400 Amp, 600 Volt, 3 Pole	027070602
	120	208	1200 Amp, 600 Volt, 3 Pole	031019501
	120	230	800 Amp, 600 Volt, 3 Pole	031019401
	120	380/460	400 Amp, 600 Volt, 3 Pole	027070602
	160	208	1200 Amp, 600 Volt, 3 Pole	031019501
	160	230	800 Amp, 600 Volt, 3 Pole	031019401
	160	380/460	400 Amp, 600 Volt, 3 Pole	027070602
	200	208	1200 Amp, 600 Volt, 3 Pole	031019501
	200	230	1200 Amp, 600 Volt, 3 Pole	031019501
	200	380/460	600 Amp, 600 Volt, 3 Pole	027070601
	240	208	1200 Amp, 600 Volt, 3 Pole	031019501
	240	230	1200 Amp, 600 Volt, 3 Pole	031019501
	240	380/460	600 Amp, 600 Volt, 3 Pole	027070601
	280	208	1200 Amp, 600 Volt, 3 Pole	031019501
	280	230	1200 Amp, 600 Volt, 3 Pole	031019501
	280	380/460	600 Amp, 600 Volt, 3 Pole	027070601
	320	208	1200 Amp, 600 Volt, 3 Pole	031019501
	320	230	1200 Amp, 600 Volt, 3 Pole	031019501
	320	380/460	600 Amp, 600 Volt, 3 Pole	027070601
	360	380/460	800 Amp, 600 Volt, 3 Pole	031019401
	400	380/460	800 Amp, 600 Volt, 3 Pole	031019401
440	380/460	800 Amp, 600 Volt, 3 Pole	031019401	
480	380/460	800 Amp, 600 Volt, 3 Pole	031019401	
ALL	ALL	Handle, for all circuit breakers	025862300	

* NOTE: Schematic symbols appear on unit wiring diagrams and components are marked with them at time of manufacture.

Electric Heat Power Panel Components - All Sizes, Continued

Schematic* Symbol	Total Heater Kilowatts	Heater Voltage	Part Description	Part Number
CIRCUIT BREAKER				
DS1	RPS/RFS-100B			
	40, 80	208/230	1200 Amp, 600 Volt, 3 Pole	031019501
	40, 80	380/460	400 Amp, 600 Volt, 3 Pole	027070602
	120	208/230	1200 Amp, 600 Volt, 3 Pole	031019501
	120	380/460	400 Amp, 600 Volt, 3 Pole	027070602
	160	208/230	1200 Amp, 600 Volt, 3 Pole	031019501
	160	380/460	400 Amp, 600 Volt, 3 Pole	027070602
	200	208/230	1200 Amp, 600 Volt, 3 Pole	031019501
	200	380/460	600 Amp, 600 Volt, 3 Pole	027070601
	240	208/230	1200 Amp, 600 Volt, 3 Pole	031019501
	240	380/460	600 Amp, 600 Volt, 3 Pole	027070601
	280	208/230	1200 Amp, 600 Volt, 3 Pole	031019501
	280	380/460	600 Amp, 600 Volt, 3 Pole	027070601
	320	208/230	1200 Amp, 600 Volt, 3 Pole	031019501
	320	380/460	600 Amp, 600 Volt, 3 Pole	027070601
	360	380/460	800 Amp, 600 Volt, 3 Pole	031019401
	400	380/460	800 Amp, 600 Volt, 3 Pole	031019401
	440, 480	380/460	800 Amp, 600 Volt, 3 Pole	031019401
	ALL	ALL	Handle, for all circuit breakers	025862300
	RHS/RWS-800B, 802B			
	20, 40	208/230	400 Amp, 600 Volt, 3 Pole	027070602
	20, 40	380/460	250 Amp, 600 Volt, 3 Pole	047442104
	60	208/230	400 Amp, 600 Volt, 3 Pole	027070602
	60	380/460	250 Amp, 600 Volt, 3 Pole	047442104
	80	208/230	400 Amp, 600 Volt, 3 Pole	027070602
	80	380/460	250 Amp, 600 Volt, 3 Pole	047442104
	100	208/230	600 Amp, 600 Volt, 3 Pole	027070601
	100	380/460	250 Amp, 600 Volt, 3 Pole	047442104
	120	208/230	600 Amp, 600 Volt, 3 Pole	027070601
	120	380/460	400 Amp, 600 Volt, 3 Pole	027070602
	140	208/230	600 Amp, 600 Volt, 3 Pole	027070601
	140	380/460	400 Amp, 600 Volt, 3 Pole	027070602
	160	208/230	600 Amp, 600 Volt, 3 Pole	027070601
	160	380/460	400 Amp, 600 Volt, 3 Pole	027070602
	180	380/460	400 Amp, 600 Volt, 3 Pole	027070602
	200	380/460	400 Amp, 600 Volt, 3 Pole	027070602
220	380/460	400 Amp, 600 Volt, 3 Pole	027070602	
240	380/460	400 Amp, 600 Volt, 3 Pole	027070602	
ALL	ALL	Handle, for all circuit breakers	025862300	

* NOTE: Schematic symbols appear on unit wiring diagrams and components are marked with them at time of manufacture.

Electric Heat Power Panel Components - All Sizes, Continued

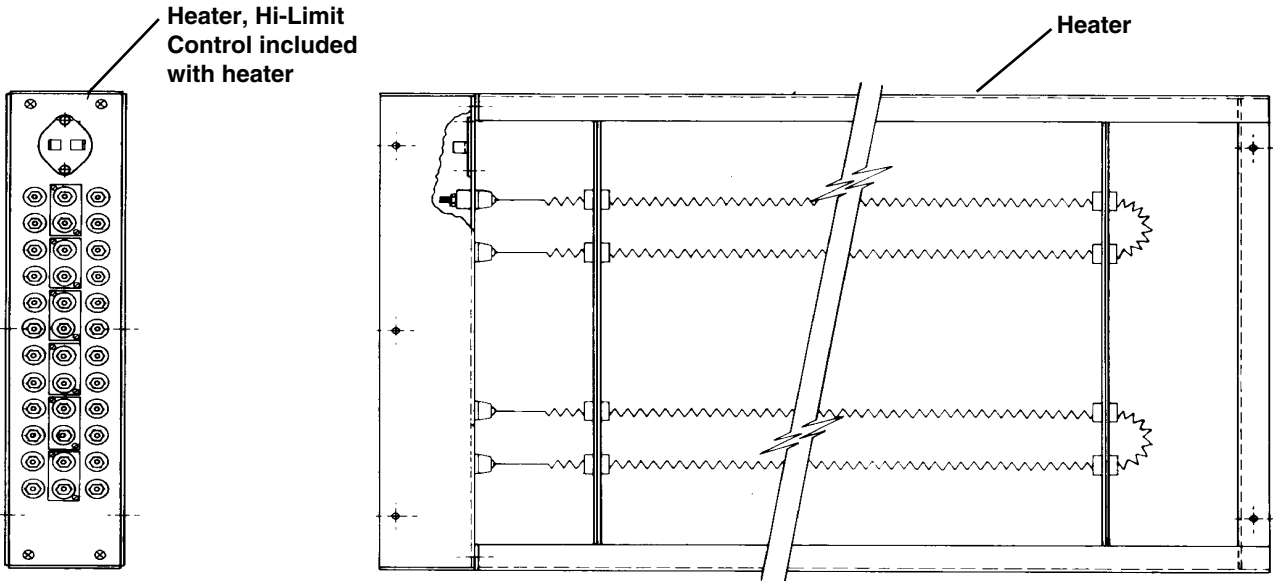
Schematic* Symbol	Total Heater Kilowatts	Heater Voltage	Part Description	Part Number
CIRCUIT BREAKERS				
DS1	RHS/RWS-804B			
	30	208/230	600 Amp, 600 Volt, 3 Pole	027070602
	30	380/460	250 Amp, 600 Volt, 3 Pole	047442104
	60	208/230	600 Amp, 600 Volt, 3 Pole	027070602
	60	380/460	250 Amp, 600 Volt, 3 Pole	047442104
	90	208/230	600 Amp, 600 Volt, 3 Pole	027270602
	90	380/460	250 Amp, 600 Volt, 3 Pole	047442104
	120	208/230	600 Amp, 600 Volt, 3 Pole	027070601
	120	380/460	400 Amp, 600 Volt, 3 Pole	027070602
	150	208/230	800 Amp, 600 Volt, 3 Pole	031019401
	150	380/460	400 Amp, 600 Volt, 3 Pole	027070602
	180	208/230	800 Amp, 600 Volt, 3 Pole	031019401
	180	380/460	400 Amp, 600 Volt, 3 Pole	027070602
	210	208/230	1200 Amp, 600 Volt, 3 Pole	031019501
	210	380/460	400 Amp, 600 Volt, 3 Pole	027070602
	240	208/230	1200 Amp, 600 Volt, 3 Pole	031019501
	240	380/460	600 Amp, 600 Volt, 3 Pole	027070601
	270	380/460	600 Amp, 600 Volt, 3 Pole	027070601
	300	380/460	600 Amp, 600 Volt, 3 Pole	027070601
	330	380/460	600 Amp, 600 Volt, 3 Pole	027070601
	360	380/460	800 Amp, 600 Volt, 3 Pole	031019401
	ALL	ALL	Handle, for all circuit breakers	025862300
	RHS/RWS-806B, 808B			
	40	208/230	400 Amp, 600 Volt, 3 Pole	027070602
	40	380/460	400 Amp, 600 Volt, 3 Pole	027070602
	80	208/230	600 Amp, 600 Volt, 3 Pole	027070601
	80	380/460	400 Amp, 600 Volt, 3 Pole	027070602
	120	208/230	600 Amp, 600 Volt, 3 Pole	027070601
	120	380/460	400 Amp, 600 Volt, 3 Pole	027070602
	160	208/230	800 Amp, 600 Volt, 3 Pole	031019401
	160	380/460	400 Amp, 600 Volt, 3 Pole	027070602
	200	208/230	1200 Amp, 600 Volt, 3 Pole	031019501
	200	380/460	600 Amp, 600 Volt, 3 Pole	027070601
	240	208/230	1200 Amp, 600 Volt, 3 Pole	031019501
	240	380/460	600 Amp, 600 Volt, 3 Pole	027070601
	280, 320	208/230	1200 Amp, 600 Volt, 3 Pole	031019501
	280, 320	380/460	600 Amp, 600 Volt, 3 Pole	027070601
	360, 400	380/460	800 Amp, 600 Volt, 3 Pole	031019401
	440, 480	380/460	800 Amp, 600 Volt, 3 Pole	031019401
	ALL	ALL	Handle, for all circuit breakers	025862300

* NOTE: Schematic symbols appear on unit wiring diagrams and components are marked with them at time of manufacture.

Electric Heater

Hi-Limit, Disc Type

All Sizes

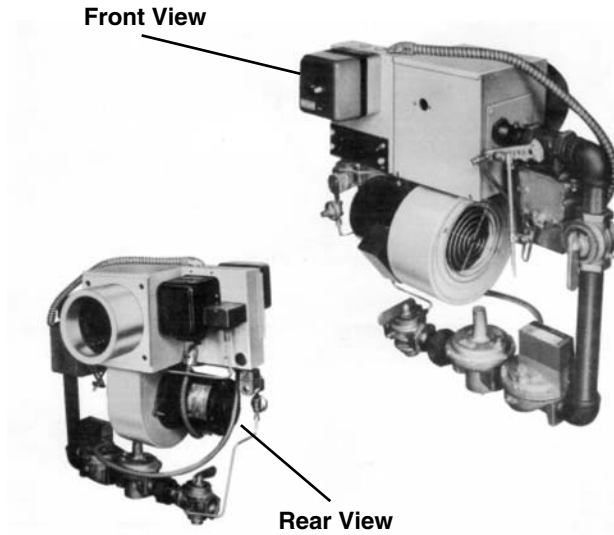


Individual Heater Modual Kilowatts	Voltage	Part Number
ELECTRIC HEATERS		
10	208/230	028513401
10	380/460	028513501
20	208/230	028513402
20	380/460	028513502
30	208/230	028513403
30	380/460	028513503
40	208/230	028513404
40	380/460	028513504
HEATER HI-LIMIT, DISC TYPE		
ALL	ALL	028396300

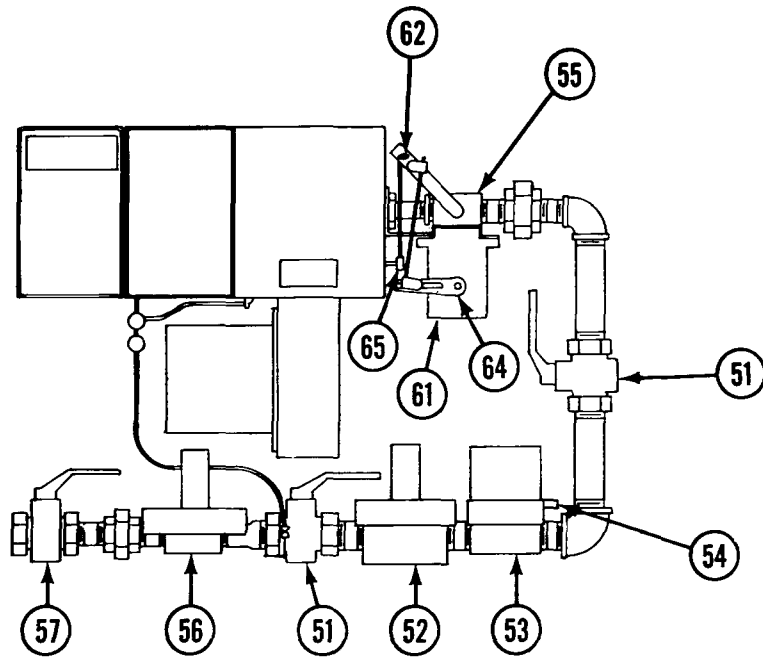
Gas Burner Section

Forced Draft Burner (FDB Vintage A)

Gas Burner Final Assembly Diagrams - All Sizes



Gas Burner Final Assembly



Gas Burner Section

Forced Draft Burner (FDB Vintage A)

Gas Burner Final Assembly Components - All Sizes

Ref No.	Part Description	Part Number	FDB Unit Size-Quantity Per Unit														
			020A	025A	032A	040A	050A	065A	080A	100A	110A	140A	150A	200A			
51	SHUT OFF COCK, MAIN																
	.75"	034077101	2	2	2												
	1.00"	034077102				2	2										
	1.25"	034077103							2	2	2						
	1.50"	034490205										2	2	2			
	2.00"	034490206															2
52	PRESSURE REGULATOR																
	.75" RV52	034078200	1	1	1												
	1.00" RV53	034078100				1	1										
	1.25" RV60	034077801							1	1	1						
	1.50" RV81	034077802										1	1	1			
	2.00" RV91	034077803															1
53	MAIN GAS VALVE, V48A																
	.75"	034271801	1	1	1												
	1.00"	034271802				1	1										
	1.25"	034271803							1	1	1						
	1.50"	034271804										1	1	1			
	2.00"	034271805															1
54	ADJ. BLEED ORIFICE	034487800	1	1	1	1	1	1	1	1	1	1	1	1	1	1	1
55	GAS VALVE, MODULATING																
	.75"	034488302	1	1	1												
	1.00"	034488303				1	1										
	1.25"	034488304							1	1	1	1	1	1			
	1.50"	034488305															1
56	HIGH PRESSURE REGULATOR MAXITROL (Optional Selection) *																
	.75", 325-5	034783802	1	1	1												
	1.00", 210D	036619800				1	1										
	1.25", 210D	034077900							1	1	1	1	1	1	1	1	1
56	HIGH PRESSURE REGULATOR ROCKWELL 143-1 (Optional Selection) *																
	.75", 5/8" Orifice	036619901			1												
	.75", 3/8" Orifice	036619903		1													
	1.00", 5/8" Orifice	036619911				1	1										
	1.00", 5/16" Orifice	036619914				1	1										
	1.00", 1/4" Orifice	036619915				1	1										
	1.00", 3/16" Orifice	036619916				1	1										
	1.25", 5/8" Orifice	036619921								1							
	1.25", 1/2" Orifice	036619922							1	1	1	1	1	1	1	1	1
	1.25", 3/8" Orifice	036619923							1	1	1	1	1	1			
	1.25", 5/16" Orifice	036619924							1	1	1	1	1	1			
	1.25", 1/4" Orifice	036619925							1	1	1	1					
	1.25", 3/16" Orifice	036619926							1								

* NOTE: Regulator selection was based on inlet pressure. Determine orifice size on the regulator being replaced.

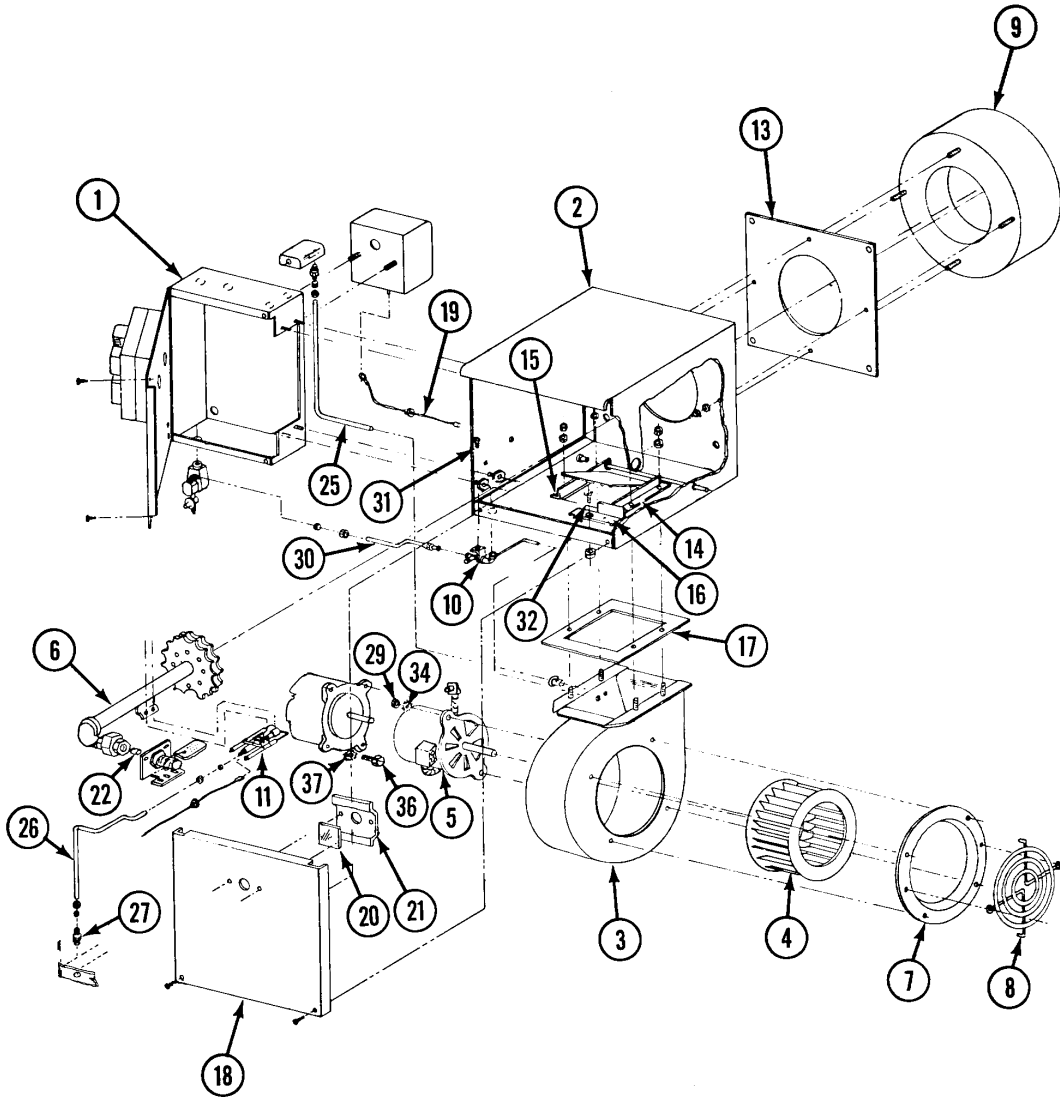
Gas Burner Section
Forced Draft Burner (FDB Vintage A)
Burner Final Assembly Components - All Sizes, Continued

Ref No.	Part Description	Part Number	FDB Unit Size-Quantity Per Unit											
			020A	025A	032A	040A	050A	065A	080A	100A	110A	140A	150A	200A
57	SHUT OFF COCK, HIGH PRESSURE													
	.75"	034490202	1	1	1									
	1.00"	034490203				1	1							
	1.25"	034490204						1	1	1	1	1	1	1
61	CONTROLS													
	Electronic Mod., M73401012	030708202	1	1	1	1	1	1	1	1	1	1	1	1
	Series 90 Mod., M934A1516	033964701	1	1	1	1	1	1	1	1	1	1	1	1
62	BALL JOINT FOR MOD. LINKAGE	034250200	2	2	2	2	2	2	2	2	2	2	2	2
64	CRANKARM FOR MOD. MOTOR	023463200	1	1	1	1	1	1	1	1	1	1	1	1
55	CRANKARM FOR AIR DAMPER	034250600	1	1	1	1	1	1	1	1	1	1	1	1

Gas Burner Section

Forced Draft Burner (FDB Vintage A)

Burner Components Diagram



Gas Burner Section

Forced Draft Burner (FDB Vintage A)

Burner Components

Ref No.	Part Description	Part Number	FDB Unit Size- Quantity Per Unit														
			020A	025A	032A	040A	050A	065A	080A	100A	110A	140A	150A	200A			
4	WHEELS																
	6.25 x 3.438"	034861102	1	1	1	1	1	1	1	1							
	7.09 x 3.16"	03424905									1	1	1	1			
5	BURNER FAN MOTOR																
	1/4HP	034249200	1	1	1	1	1	1	1	1							
	1/2HP	032248600									1	1	1				
	3/4HP	032248400															1
6	GUN ASSEMBLY, LESS PILOT																
	Gun Assembly	034879901	1														
	Gun Assembly	034879902		1													
	Gun Assembly	034879903			1												
	Gun Assembly	034879904				1											
	Gun Assembly	034880001					1										
	Gun Assembly	034880002						1									
	Gun Assembly	034880003							1								
	Gun Assembly	034880004								1							
	Gun Assembly	035721001									1						
	Gun Assembly	035721002										1					
	Gun Assembly	035721003											1				
	Gun Assembly	035721004															1
9	BLAST TUBE ASSEMBLY																
	4.00 x 20°	037378802	1	1													
	4.00 x 10°	037378801			1	1											
	5.00 x 20°	034101703					1	1									
	5.00 x 27 1/2°	034101707							1	1							
	7.00 x 27 1/2°	034101706									1	1					
	7.00 x 27 1/2°	034101701														1	1
11	PILOT BURNER ASSEMBLY	035019600	1	1	1	1	1	1	1	1	1	1	1	1	1	1	1
13	BLAST TUBE GASKET																
	4" - 5"	034102000	1	1	1	1	1	1	1	1							
	7"	034101900									1	1	1	1			
19	FLAME ROD WIRE	034743000	1	1	1	1	1	1	1	1	1	1	1	1	1	1	1
N/S	FLAME ROD	036557700	1	1	1	1	1	1	1	1	1	1	1	1	1	1	1
N/S	IGNITION ELECTRODE ASSY.	041353300	1	1	1	1	1	1	1	1	1	1	1	1	1	1	1
N/S	IGNITION CABLE																
	Ignition cable	034742900	1	1	1	1	1	1	1	1							
	Ignition Cable	036518500										1	1	1	1		

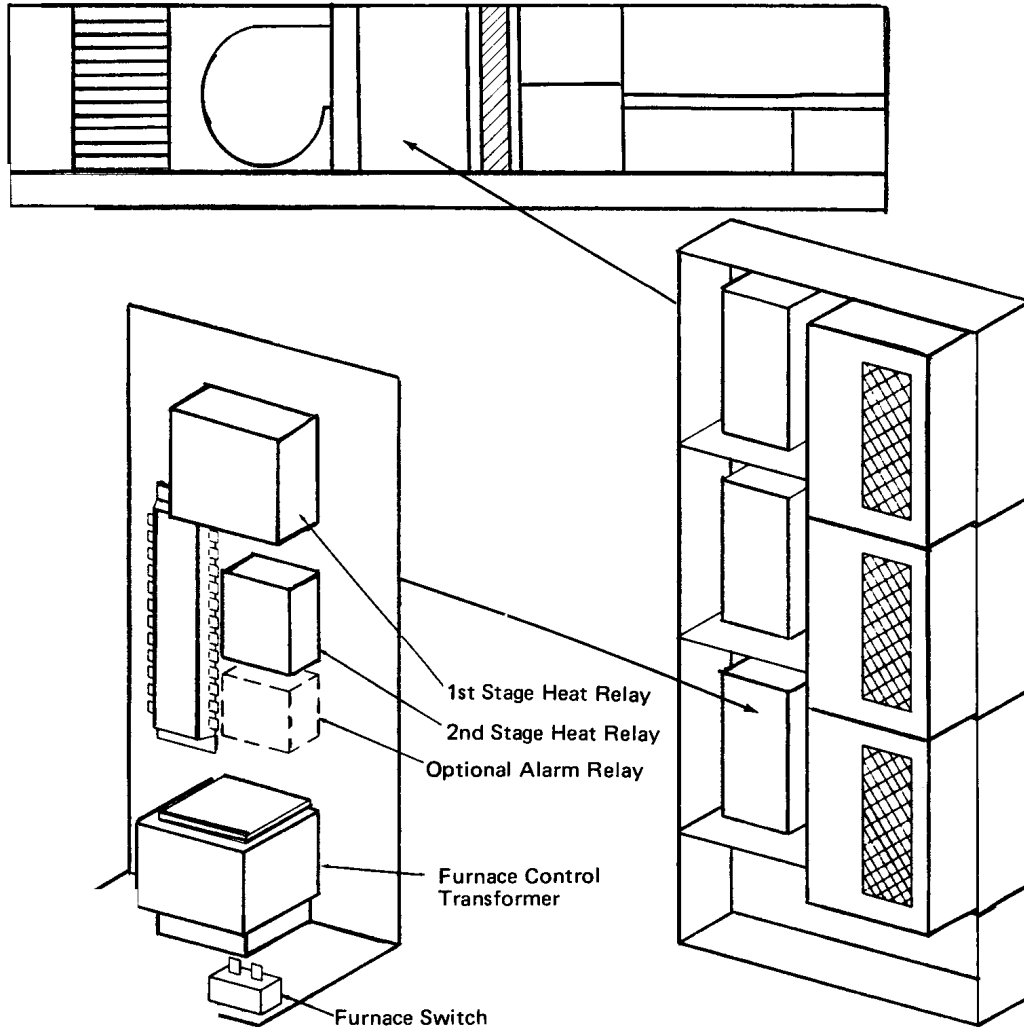
N/S= Not shown on diagram.

Gas Burner Section

Control Box Diagrams & Components

Typical Control Locations

NOTE: Gas burner serial plate model number corresponds to FDB unit size.



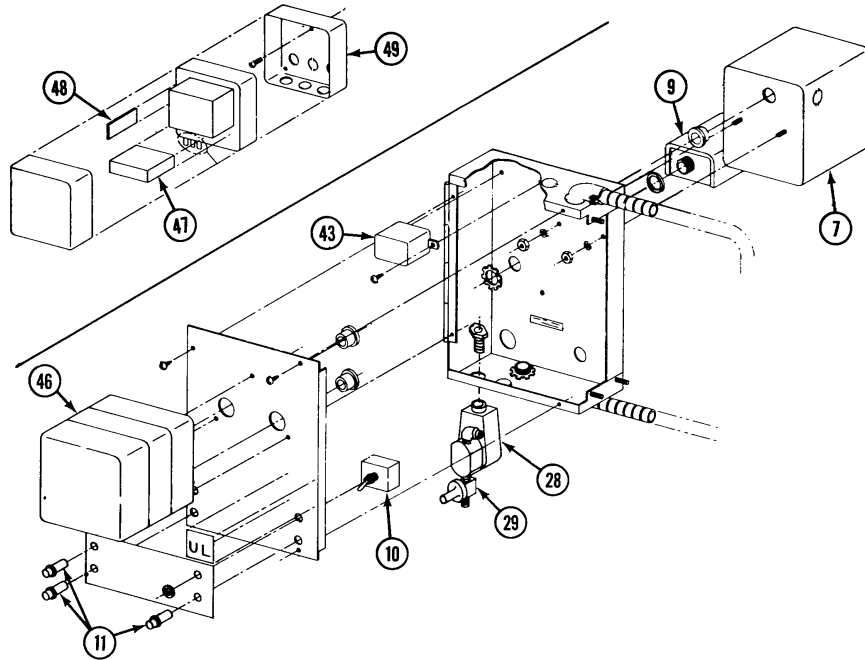
Schematic* Symbol	Part Description	Part Number	Qty.
R13	Low Stage Heat Relay, 115 V, DPTP	019643000	1
R14	High Stage Heat Relay, 115 V, DPTP	028036200	1
R15	Heat Alarm Relay	061019403	1
S2	Switch Furnace	001355000	1
TB5	Terminal Block	001354000	1
(No Symbol)	Transformer 45VA	029948300	1

* NOTE: Schematic symbols appear on unit wiring diagrams and components are marked with them at time of manufacture.

Gas Burner Section

Gas Control Box Diagrams & Components

Typical Gas Control Locations (FDB 110A thru 200A shown)



Ref No.	Part Description	Part Number	FDB Unit Size- Quantity Per Unit													
			020A	025A	032A	040A	050A	065A	080A	100A	110A	140A	150A	200A		
7	IGNITION TRANSFORMER	034482600	1	1	1	1	1	1	1	1	1	1	1	1	1	1
9	AIR SWITCH	033003800	1	1	1	1	1	1	1	1	1	1	1	1	1	1
10	SWITCH, OFF-AUTO, 4P2T	033536700	1	1	1	1	1	1	1	1	1	1	1	1	1	1
11	INDICATOR LIGHTS	034251300	3	3	3	3	3	3	3	3	3	3	3	3	3	3
28	SOLENOID VALVE	034488400	1	1	1	1	1	1	1	1	1	1	1	1	1	1
29	PRESSURE REGULATOR	034077600	1	1	1	1	1	1	1	1	1	1	1	1	1	1
46	FLAME SAFEGUARD															
	Less Amp. and Timer	034082205	1	1	1	1	1	1	1	1	1	1	1	1	1	1
	Amp. Only- 3 second	034339403	1	1	1	1	1	1	1	1	1	1	1	1	1	1
48	TIMER															
	30 Sec. - 1 Stage Burner	034339301	1	1	1	1	1	1	1	1	1	1	1	1	1	1
	90 Sec. - Mod. Burner	034339303	1	1	1	1	1	1	1	1	1	1	1	1	1	1
49	FLAME SAFEGUARD SUB-BASE	034082300	1	1	1	1	1	1	1	1	1	1	1	1	1	1

Gas Burner Section

Forced Draft Burner (FDB Vintage A)

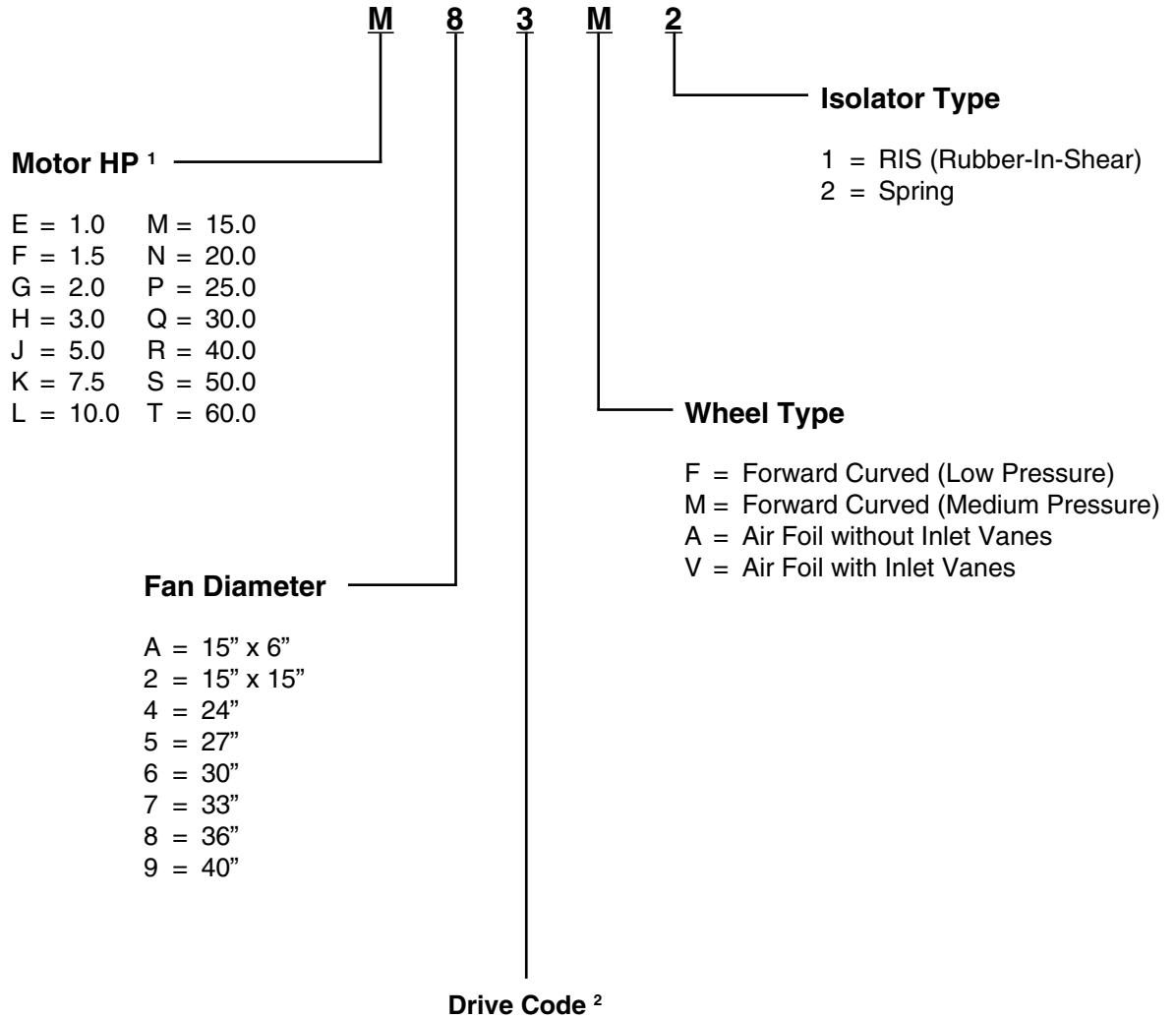
Gas Train Components

Ref No.	Part Description	Part Number	FDB Unit Size-Quantity Per Unit										
			020A	025A	032A	040A	050A	065A	080A	100A	110A	140A	150A
N/S	REGULATOR, HIGH PRESSURE												
	1HP Motors	034078302	1										
	1HP Motors	036619903		1									
	1HP Motors	036619901			1								
	1HP Motors	036619911				1							
	1HP Motor	034077900					1	1					
	1-2HP Motors	034077900							1	1			
	1- 3HP Motors	034077900									1		
	1- 4HP Motors	034077900										1	1
	1- 5HP Motors	034077900											1
	2- 7HP Motors	034078302	1	1	1								
	2HP Motors	036619914				1		1					
	3- 4HP Motors	036619915				1	1						
	5- 7HP Motors	036619916				1							
	3HP Motors	036619922							1				
	4HP Motors	036619922								1			
	5HP Motors	036619922					1					1	
	6- 7HP Motors	036619922					1						1
	3HP Motors	036619921					1						1
	3HP Motors	036619923						1					
	4HP Motors	036619923							1				
	5HP Motors	036619923								1	1		
	6HP Motors	036619923										1	
	4HP Motors	036619924						1	1				
	5- 6HP Motors	036619924							1				
	7HP Motors	036619924									1	1	
	5- 6HP Motors	036619925						1					
	5- 7HP Motors	036619925							1				
	6- 7HP Motors	036619925								1			
	7HP Motors	036619925									1		
N/S	SHUT OFF VALVES												
	Shut Off Valve	034490202	1	1	1								
	Shut Off Valve	034490203				1	1						
	Shut Off Valve	034490204						1	1	1	1	1	1

N/S= Not shown on diagram.

Supply Air Drive Nomenclature

Code 13 Nomenclature



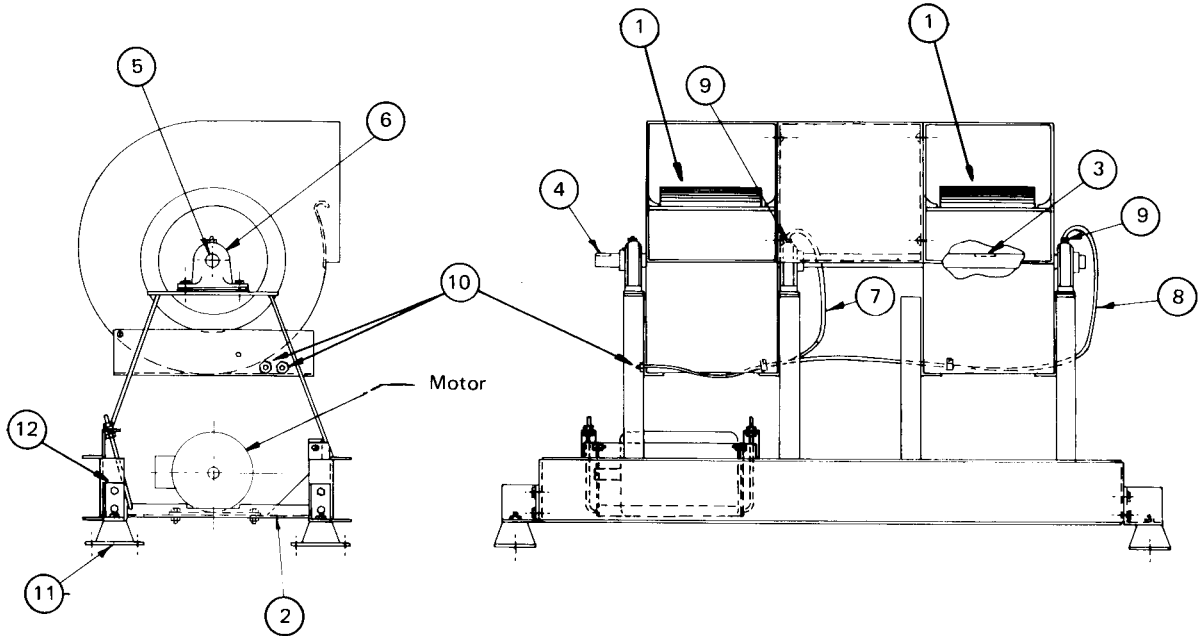
¹ Return Fan motor HP must never exceed the HP of the Supply Fan motor.

² Due to the large number of possible sheave combinations, when replacing any drive component contact McQuay Parts with model and serial number information so that the required part(s) can be identified.

Supply Air Fans

Forward Curved (FC) Fan - 15"

RPS/ RFS-018B, 020B, 025B, 030B RHS/ RWS/RBS/RDS-800B



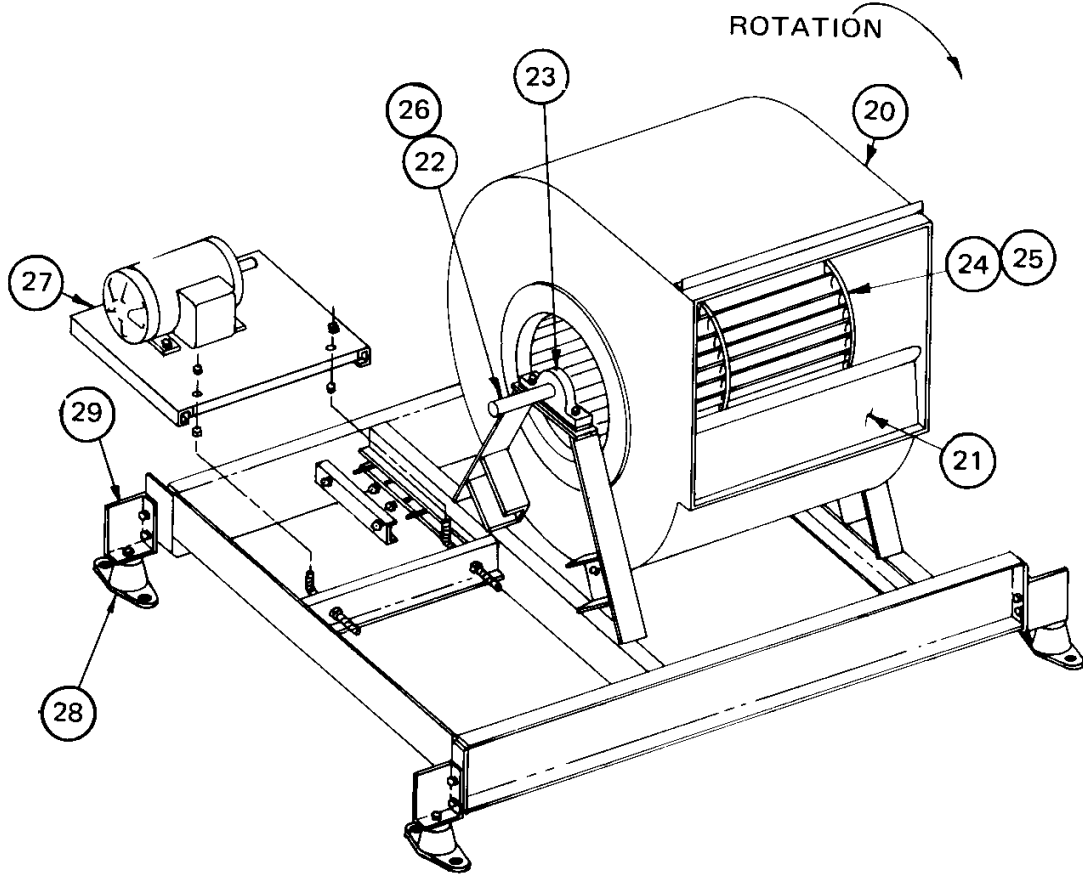
RPS/ RFS-018B, 020B, 025B, 030B & RHS/ RWS/RBS/RDS-800B

Bubble Number	Part Description	Part Number	Qty.
1	Fan Wheel Ass'y. 15.00" x 15.50" FC Fan with housing and cutoff plate	033135100	2
1	Fan Wheel Ass'y. 6.00" x 15.50" FC Fan with housing and cutoff plate	040803700	2
2	Motor Shelf	033452700	1
3	Key, 15.00" x 15.50" FC Fan	023221409	2
3	Key, 6.00" x 15.50" FC Fan	023221309	2
4	Key, 15.00" x 15.50" FC Fan	023221410	1
4	Key, 6.00" x 15.50" FC Fan	023221303	1
5	Shaft, 1.44" Diameter, 69.64" Long, 15.00" x 15.50" FC Fan	033454601	1
5	Shaft, 1.19" Diameter, 60.10" Long, 6.00" x 15.50" FC Fan	041001401	1
6	Bearing, Pillow Block, 1.43" Bore Dia., 15.00" x 15.50" FC Fan	020648601	3
6	Bearing, Pillow Block, 1.18" Bore Dia., 6.00" x 15.50" FC Fan	020648612	3
7	Fan Lubrication Tubing, 38.00" Long	021136738	1
8	Fan Lubrication Tubing, 74.00" Long	021136774	1
9	Zerk Fitting, Fan Lubrication Adapter, .125 MPT	021213700	2
10	Zerk Fitting, Fan Lubrication Adapter, .125" MPT	021213800	2
11	Vibration Mount, Rubber, RP-3 Red	021639701	4
12	Mount Support Angle, Rubber Mount	035205100	4

Supply Air Fans

Forward Curved (FC) Fan - 24"

RPS/ RFS 036B, 040B, 041B, 051B, 060B, 070B RBS/RDS/RHS/RWS 802B, 804B



RPS/ RFS 036B, 040B & RBS/RDS/RHS/RWS 802B - 24" Fan

Bubble Number	Part Description	Part Number	Qty.
20	Fan Wheel Housing, (includes Housing and Inlet Funnel)	030030201	1
21	Cut-off Plate	030030101	1
22	Shaft, 1.44" Diameter, 52" Long, Low Pressure Fan	030631201	1
22	Shaft, 1.69" Diameter, 51" Long, Medium Pressure Fan	030631301	1
23	Bearing, Pillow Block, 1.43" Bore Dia., Low Pressure Fan	020648601	2
23	Bearing, Pillow Block, 1.68" Bore Dia., Medium Pressure Fan	020648602	2
24	Fan Wheel, 24" FC Low Pressure Fan	024061015	1
24	Fan Wheel, 24" FC Medium Pressure	024061016	1
25	Fan Key, 4.75" Long	023221409	1
26	Sheave Key, 5.50" Long	023221415	1
27	Motor Shelf	029433500	1
28	Vibration Mount, Rubber, RP-3 Red	021639701	4
29	Mount Support Angle, Rubber Mount	035205100	4

Supply Air Fans

Forward Curve (FC) Fans -27" & 30"

RPS/RFS 041B, 051B, 060B, 070B RBS/RDS/RHS/RWS 804B

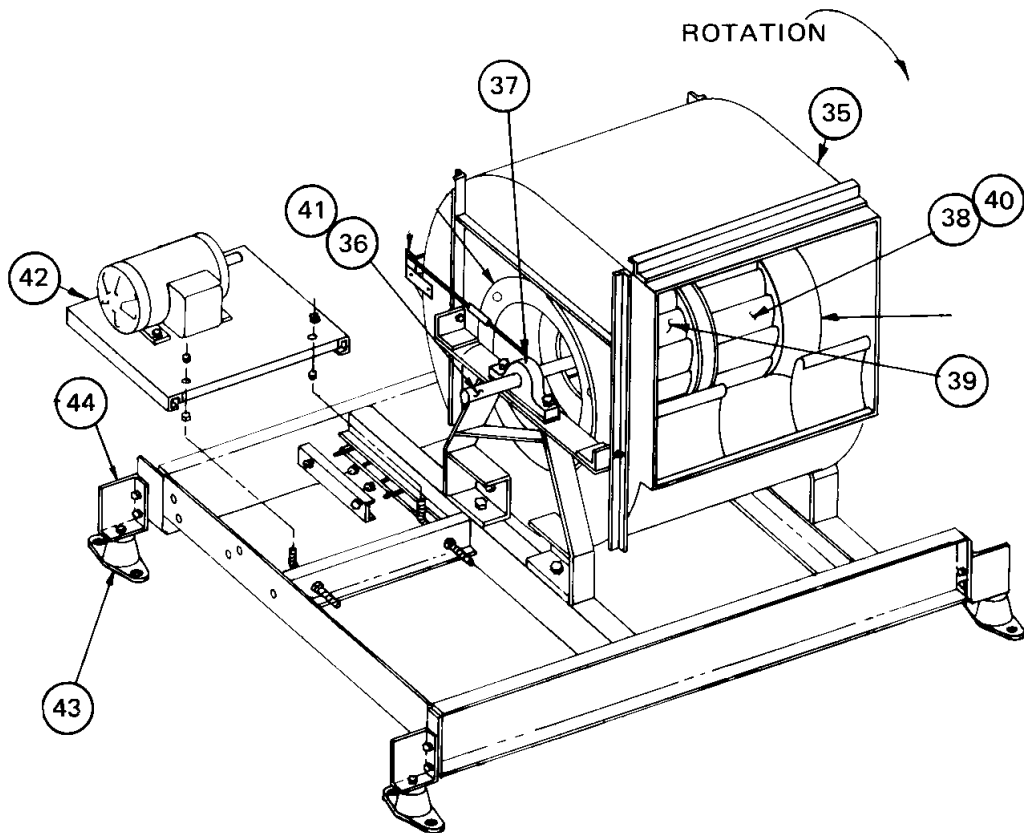
RPS/ RFS 041B, 051B, 060B, 070B & RBS/RDS/RHS/RWS 804B - 27" & 30" Fan

Bubble Number	Part Description	Part Number	Qty.
20	Fan Wheel Housing, 27" FC Fan	032325300	1
20	Fan Wheel Housing, 30" FC Fan	032325400	1
21	Cut-off Plate, 27" FC Fan	030030102	1
21	Cut-off Plate, 30" FC Fan	030030103	1
22	Shaft, 1.69" Diameter, 54.00" Long, 27" FC Fan	030570101	1
22	Shaft, 1.94" Diameter, 59.50" Long, 30" FC Low Pressure Fan	030570201	1
22	Shaft, 2.19" Diameter, 58.00" Long, 30" FC Medium Pressure Fan	030570301	1
23	Bearing, Pillow Block, 1.68" Bore Dia., 27" Low & Med. Pressure Fan	020648602	2
23	Bearing, Pillow Block, 1.93" Bore Dia., 30" Low Pressure Fan	020648603	2
23	Bearing, Pillow Block, 2.18" Bore Dia., 30" Medium Pressure Fan	020648604	2
24	Fan Wheel, 27" FC Low Pressure Fan	024061101	1
24	Fan Wheel, 27" FC Medium Pressure Fan	024061102	1
24	Fan Wheel, 30" FC Low Pressure Fan	024061103	1
24	Fan Wheel, 30" FC Medium Pressure Fan	012727435	1
25	Fan Key, 4.75" Long, 27" FC Fan	023221409	1
25	Fan Key, 4.75" Long, 30" FC Fan	023221508	1
26	Sheave Key, 5.50" Long, 27" FC Fan	023221415	1
26	Sheave Key, 5.50" Long, 30" FC Fan, Low Pressure Fan	023221513	1
26	Sheave Key, 5.50" Long, 30" FC Fan, Medium Pressure Fan	023221513	1
27	Motor Shelf	029433500	1
28	Vibration Mount, Rubber, RP-3 Red	021639701	4
29	Mount Support Angle, Rubber Mount	035205100	4

Supply Air Fans

Airfoil (AF) Fans & Variable Inlet Fans - 24"

RPS/ RFS 036B, 040B, 041B, 051B, 060B, 070B RBS/RDS/RHS/RWS 802B, 804B



RPS/RFS 036B, 040B & RBS/RDS/RHS/RWS 802B - 24" Fan

Bubble Number	Part Description	Part Number	Qty.
35	Fan Wheel Housing, AF Fan (includes Housing, Cutoff Plates & Inlet Funnels)	034276601	1
35	Fan Wheel Housing, Variable Inlet Fan(includes Housing & Cutoff Plates)	034276500	1
36	Shaft, 1.94" Diameter, 54" Long	034276201	1
37	Bearing, Pillow Block, 1.93" Bore Diameter	020648603	2
38	Fan Wheel, 24" AF Fan, Clockwise (CW)	031637711	1
39	Fan Wheel, 24" AF Fan, Counterclockwise (CCW)	031637811	1
40	Fan Key, 4.25" Long	023221519	2
41	Sheave Key, 5.50" Long	023221513	1
42	Motor Shelf	029433500	1
43	Vibration Mount, Rubber, RP-3 Red	021639701	4
44	Mount Support Angle, Rubber Mount	035205100	4

Supply Air Fans
Airfoil (AF) Fans & Variable Inlet Fans - 27" & 30"
RPS/RFS 041B, 051B, 060B, 070B
RHS/RWS/RBS/RDS 804B

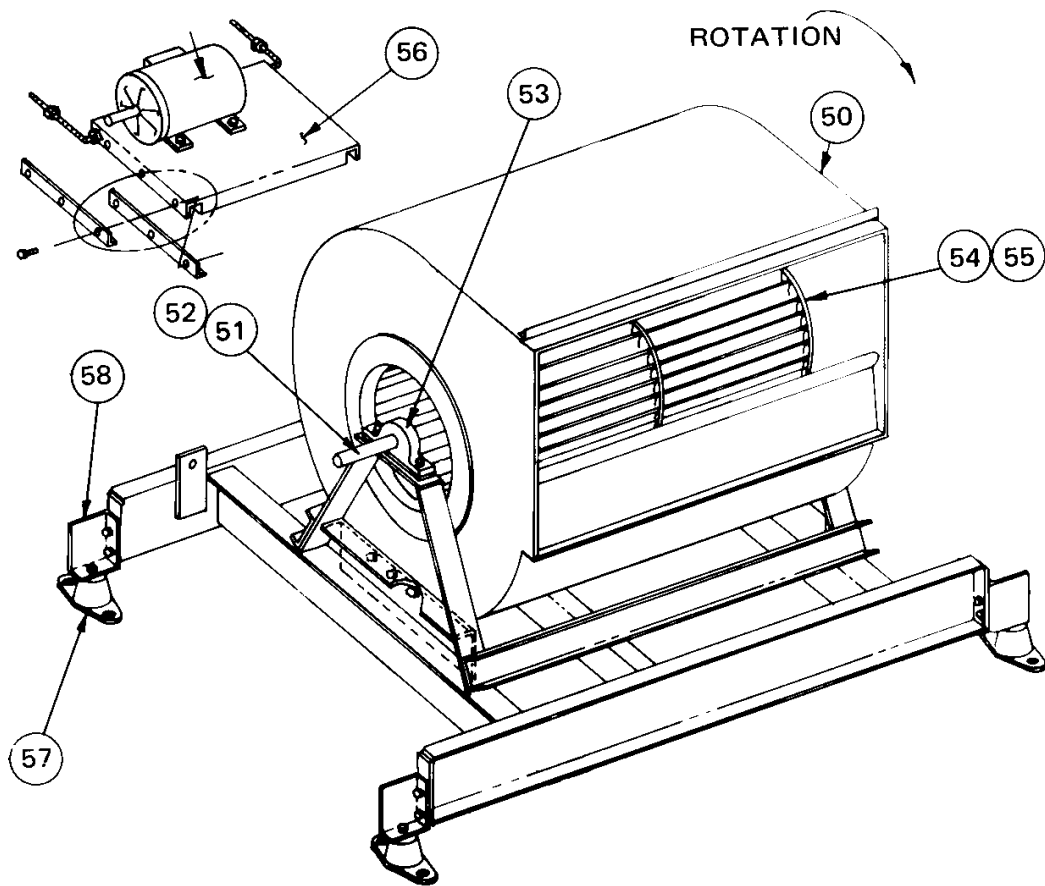
RPS/RFS 041B, 051B, 060B, 070B & RBS/RDS/RHS/RWS 804B / 27" & 30" Fans

Bubble Number	Part Description	Part Number	Qty.
35	Fan Wheel Housing, 27" AF Fan (includes Housing, Inlet Funnels and Cutoff Plates)	034445601	1
35	Fan Wheel Housing, 27" Variable Inlet Fan (includes Housing and Cutoff Plates)	034445900	1
35	Fan Wheel Housing, 30" AF Fan (includes Housing, Inlet Funnels & Cutoff Plates)	033909001	1
35	Fan Wheel Housing, 30" Variable Inlet Fan (includes Housing and Cutoff Plates)	033908900	1
36	Shaft, 2.19" Diameter, 53.81" Long, 27" Fan	055599502	1
36	Shaft, 2.44" Diameter, 57.88" Long, 30" Fan	033909201	1
37	Bearing, Pillow Block, 2.18" Bore Dia., 27" Fan	020648604	2
37	Bearing, Pillow Block, 2.44" Bore Dia., 30" Fan	020648605	2
38	Fan Wheel, 27" AF, Clockwise	066543201	1
38	Fan Wheel, 30" AF Clockwise	066543203	1
39	Fan Wheel, 27" AF Counterclockwise	066543202	1
39	Fan Wheel, 30" AF Counterclockwise	066543204	1
40	Fan Key, 4.25" Long, 27" Fan	023221519	2
40	Fan Key, 4.25" Long, 30" Fan	023221617	2
41	Sheave Key, 5.50" Long, 27" FC Fan	023221513	1
41	Sheave Key, 5.50" Long, 30" FC Fan	023221607	1
42	Motor Shelf	029433500	1
43	Vibration Mount, Rubber, RP-3 Red	021639701	4
44	Mount Support Angle, Rubber Mount	035205100	4

Supply Air Fans

Forward Curve (FC) Fans

RPS/RFS 061B, 071B, 080B, 081B, 090B, 100B
RBS/RDS/RHS/RWS 806B, 808B



Supply Air Fans

Forward Curve (FC) Fans

RPS/RFS 061B, 071B, 080B

RBS/RDS/RHS/RWS 806B

RPS/RFS 061B, 071B, 080B & RBS/RDS/RHS/RWS 806B / 33" & 36" Fans

Bubble Number	Part Description	Part Number	Qty.
50	Fan Wheel Housing, 33" FC Fan, includes Housing and Cutoff Plate	032424100	1
50	Fan Wheel Housing, 36" FC Fan, includes Housing and Cutoff Plate	032424200	1
51	Sheave Key, 5.50" Long, 33" FC Fan, Low Pressure Fan	023221513	1
51	Sheave Key, 5.50" Long, 33" FC Fan, Medium Pressure Fan	023221607	1
51	Sheave Key, 5.50" Long, 36" FC Fan, Low Pressure Fan	023221607	1
51	Sheave Key, 5.50" Long, 36" FC Fan, Medium Pressure Fan	023221607	1
52	Shaft, 2.19" Diameter, 62.00" Long, 33" FC Fan, Low Pressure Fan	032423101	1
52	Shaft, 2.44" Diameter, 62.00" Long, 33" FC Fan, Medium Pressure Fan	032586301	1
52	Shaft, 2.44" Diameter, 67.12" Long, 36" FC Fan, Low Pressure Fan	032586101	1
52	Shaft, 2.69" Diameter, 67.12" Long, 36" FC Fan, Medium Pressure Fan	032586201	1
53	Bearing, Pillow Block, 2.18" Bore Dia., 33" Low Pressure Fan	020648604	2
53	Bearing, Pillow Block, 2.43" Bore Dia., 33" Medium Pressure Fan	020648605	2
53	Bearing, Pillow Block, 2.43" Bore Dia., 36" Medium Pressure Fan	020648605	2
53	Bearing, Pillow Block, 2.68" Bore Dia., 36" Medium Pressure Fan	020648608	2
54	Fan Wheel, 33" FC Low Pressure Fan	012725735	1
54	Fan Wheel, 33" FC Medium Pressure Fan	012727939	1
54	Fan Wheel, 36" FC Low Pressure Fan	012726239	1
54	Fan Wheel, 36" FC Medium Pressure Fan	012728343	1
55	Fan Key, 4.75" Long, 33" FC Low Pressure Fan	023221508	1
55	Fan Key, 4.75" Long, 33" FC Medium Pressure Fan	023221606	1
55	Fan Key, 6.50" Long, 36" Low & Medium Pressure Fan	023221610	1
56	Motor Shelf	032423000	1
57	Vibration Mount, Rubber, RP-3 Green	021639703	4
58	Mount Support Angle, Rubber Mount	035205100	4

Supply Air Fans

Forward Curve (FC) Fans

RPS/RFS 081B, 090B, 100B

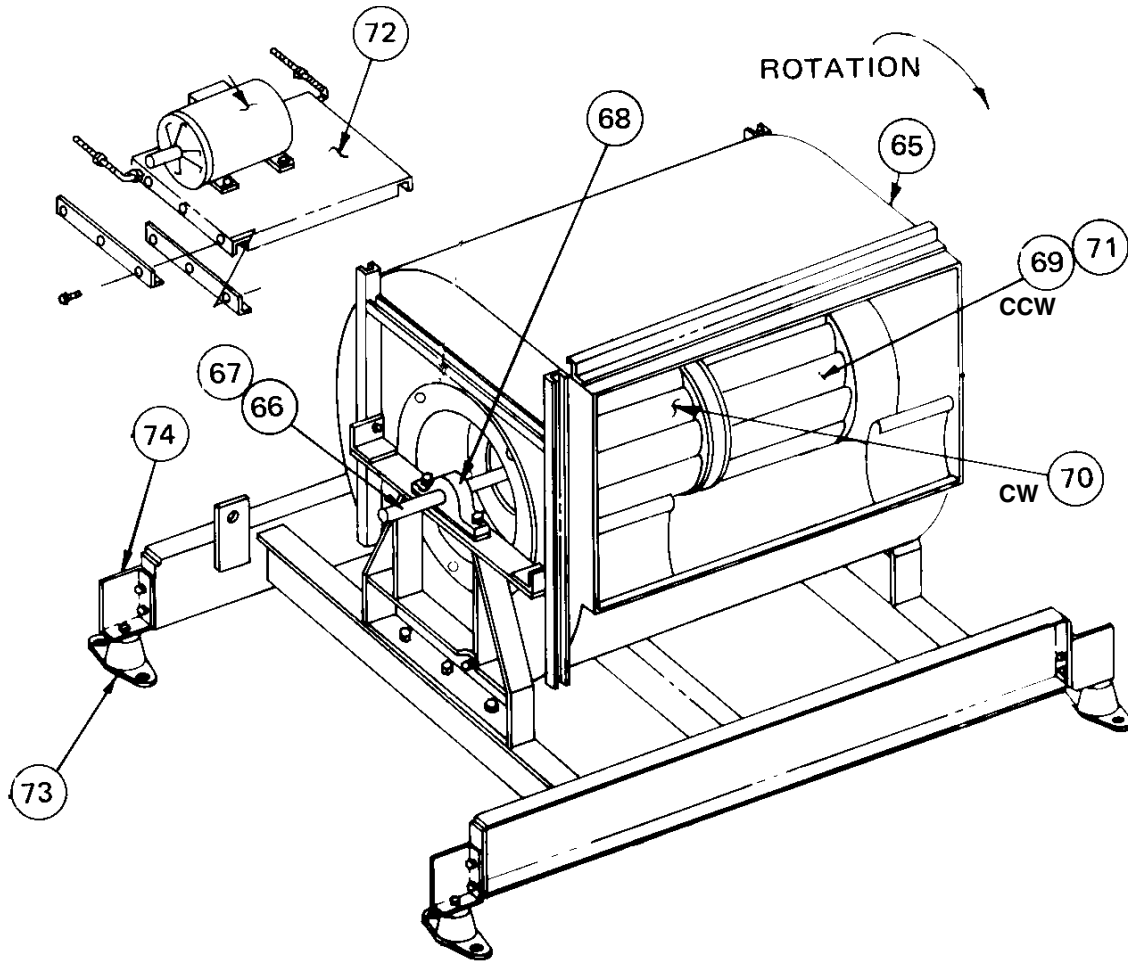
RBS/RDS/RHS/RWS 808B

RPS/RFS 081B, 090B, 100B & RBS/RDS/RHS/RWS 808B / 36" & 40" Fans

Bubble Number	Part Description	Part Number	Qty.
50	Fan Wheel Housing, 40" FC Low Pressure Fan, includes Housing & Cutoff Plate	032424300	1
50	Fan Wheel Housing, 36" FC Low & Med. Press. Fan, incl. Housing & Cutoff Plate	032424200	1
51	Sheave Key, 5.50" Long, 40" FC Fan, Low Pressure Fan	023221607	1
51	Sheave Key, 5.50" Long, 36" FC Fan, Low Pressure Fan	023221607	1
51	Sheave Key, 5.50" Long, 36" FC Fan, Medium Pressure Fan	023221607	1
52	Shaft, 2.69" Diameter, 72.36" Long, 40" FC Fan, Low Pressure Fan	032586401	1
52	Shaft, 2.44" Diameter, 67.12" Long, 36" FC Fan, Low Pressure Fan	032586101	1
52	Shaft, 2.69" Diameter, 67.12" Long, 36" FC Fan, Medium Pressure Fan	032586201	1
53	Bearing, Pillow Block, 2.68" Bore Dia., 40" Low Pressure Fan	020648608	2
53	Bearing, Pillow Block, 2.43" Bore Dia., 36" Low Pressure Fan	020648605	2
53	Bearing, Pillow Block, 2.68" Bore Dia., 36" Medium Pressure Fan	020648608	2
54	Fan Wheel, 40" FC Low Pressure Fan	012726743	1
54	Fan Wheel, 36" FC Low Pressure Fan	012726239	1
54	Fan Wheel, 36" FC Medium Pressure Fan	012728343	1
55	Fan Key, 6.50" Long, 36" FC Low Pressure Fan	023221610	1
55	Fan Key, 6.50" Long, 40" FC Medium Pressure Fan	023221610	1
55	Fan Key, 6.50" Long, 36" Low Pressure Fan	023221610	1
56	Motor Shelf	032423000	1
57	Vibration Mount, Rubber, RP-3 (Green)	021639703	4
58	Mount Support Angle, Rubber Mount	035205100	4

Supply Air Fans

Airfoil (AF) & Variable Inlet Fans
RPS/RFS 061B, 071B, 080B, 081B, 090B, 100B
RBS/RDS/RHS/RWS 806B, 808B



Supply Air Fans
Airfoil (AF) & Variable Inlet Fans
RPS/RFS 061B, 071B, 080B
RBS/RDS/RHS/RWS 806B

RPS/RFS 061B, 071B, 080B & RBS/RDS/RHS/RWS 806B / 33" & 36" Fans

Bubble Number	Part Description	Part Number	Qty.
65	Fan Wheel Housing, 33" AF Fan, incl: Housing & Cutoff Plates & Inlet Funnels	032586601	1
65	Fan Wheel Housing, 33" Variable Inlet Fan, includes Housing & Cutoff Plates	032535600	1
65	Fan Wheel Housing, 36" AF Fan, includes Housing, Cutoff Plates & Inlet Funnels	032631201	1
65	Fan Wheel Housing, 36" Variable Inlet Fan, includes Housing & Cutoff Plates	032631400	1
66	Sheave Key, 5.50" Long, 33" Fan	023221607	1
66	Sheave Key, 5.50" Long, 36" Fan	023221607	1
67	Shaft, 2.44" Diameter, 62.00" Long, 33" Fan	032586301	1
67	Shaft, 2.69" Diameter, 67.12" Long, 36" Fan	032586201	1
68	Bearing, Pillow Block, 2.43" Bore Dia., 33" Fan	020648605	2
68	Bearing, Pillow Block, 2.68" Bore Dia., 36" Fan	020648608	2
69	Fan Wheel, 33" Fan, CCW	066543206	1
69	Fan Wheel, 36" Fan, CCW	066543208	1
70	Fan Wheel, 33" Fan, CW	066543205	1
70	Fan Wheel, 36" Fan, CW	066543207	1
71	Fan Key, 4.25" Long, 33" Fan	023221617	2
71	Fan Key, 4.75" Long, 36" Fan	023221606	2
72	Motor Shelf	032423000	1
73	Vibration Mount, Rubber, RP-3 (Green)	021639703	4
74	Mount Support Angle, Rubber Mount	035205100	4

Supply Air Fans
Airfoil (AF) & Variable Inlet Fans
RPS/RFS 081B, 090B, 100B
RBS/RDS/RHS/RWS 808B

RPS/RFS 081B, 090B, 100B & RBS/RDS/RHS/RWS 808B / 36" & 40" Fans

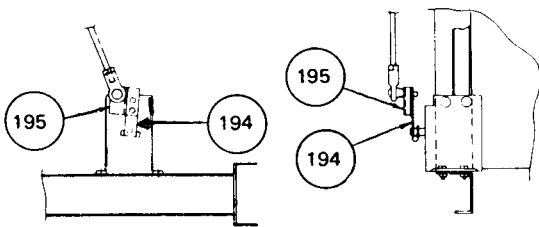
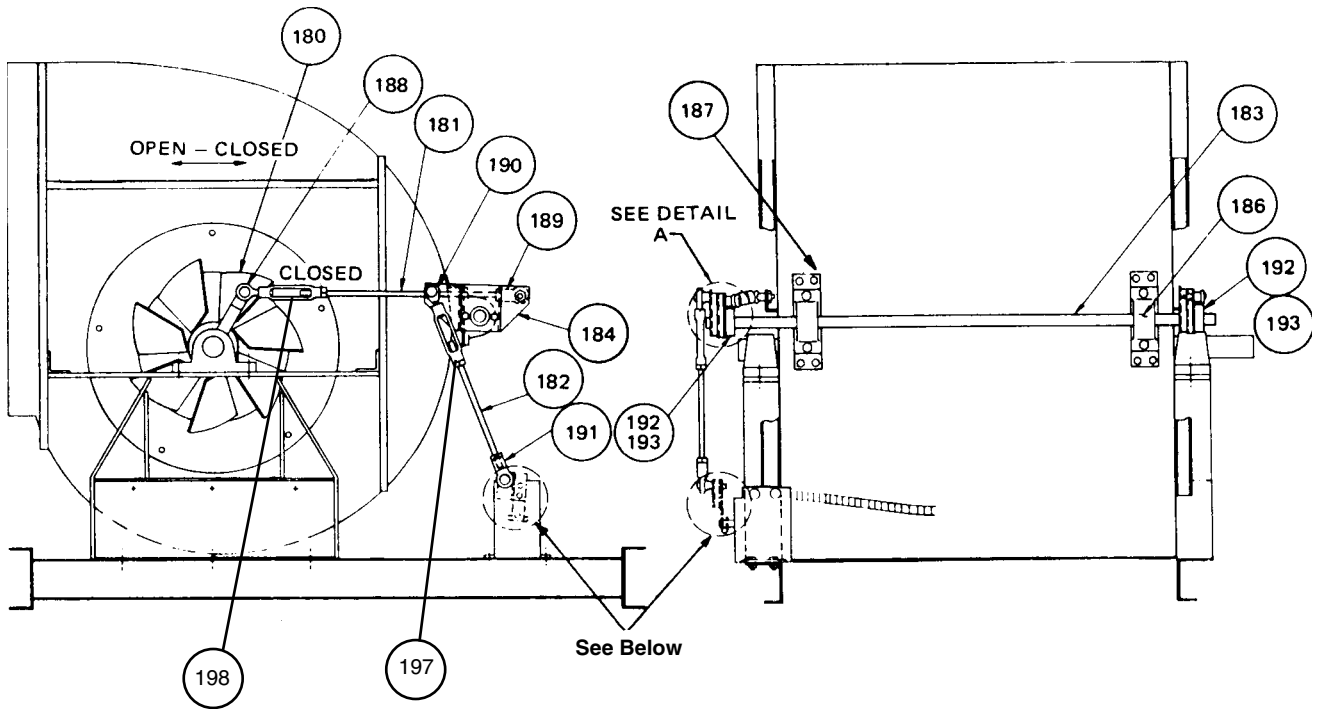
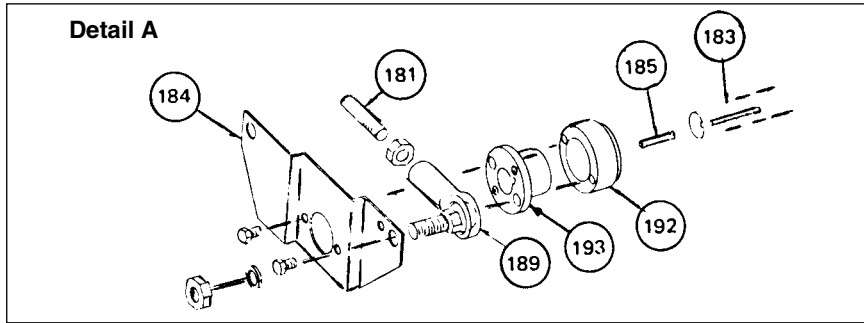
Bubble Number	Part Description	Part Number	Qty.
65	Fan Wheel Housing, 40" AF Fan, incl; Housing & Cutoff Plates & Inlet Funnels	032631301	1
65	Fan Wheel Housing, 40" Variable Inlet Fan, includes Housing & Cutoff Plates	032631500	1
65	Fan Wheel Housing, 36" AF Fan, incl; Housing, Cutoff Plates & Inlet Funnels	032631201	1
65	Fan Wheel Housing, 36" Variable Inlet Fan, includes Housing & Cutoff Plates	032631400	1
66	Sheave Key, 5.50" Long, 40" AF & Variable Inlet Fan	023221702	1
66	Sheave Key, 5.50" Long, 36" AF & Variable Inlet Fan	023221607	1
67	Shaft, 2.94" Diameter, 72.36" Long, 40" AF & Variable Inlet Fan	032586501	1
67	Shaft, 2.69" Diameter, 67.12" Long, 36" AF & Variable Inlet Fan	032586201	1
68	Bearing, Pillow Block, 2.93" Bore Dia., 40" AF & Variable Inlet Fan	020648609	2
68	Bearing, Pillow Block, 2.68" Bore Dia., 36" AF & Variable Inlet Fan	020648608	2
69	Fan Wheel, 40" AF & Variable Inlet Fan, CCW	066543210	1
69	Fan Wheel, 36" AF & Variable Inlet Fan, CCW	066543208	1
70	Fan Wheel, 40" AF & Variable Inlet Fan, CW	066543209	1
70	Fan Wheel, 36" AF & Variable Inlet Fan, CW	066543207	1
71	Fan Key, 10.00" Long, 40" AF & Variable Inlet Fan	023221705	1
71	Fan Key, 4.75" Long, 36" AF & Variable Inlet Fan	023221606	2
72	Motor Shelf	032423000	1
73	Vibration Mount, Rubber, RP-3 (Green)	021639703	4
74	Mount Support Angle, Rubber Mount	035205100	4

Supply Air Fan

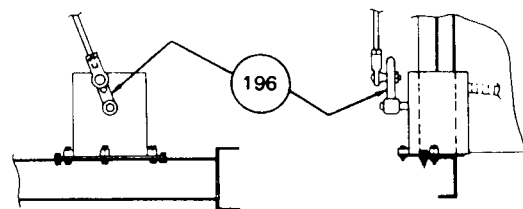
Variable Inlet Vanes

RPS/ RFS-036B thru 100B

RHS/ RWS/ RBS/ RDS-802B thru 808B



For units with 20-30 hp Supply Air Fan Motors



For units with 40-60 hp Supply Air Fan Motors

Supply Air Fan

Variable Inlet Vanes

RPS/ RFS-036B thru 100B

RHS/ RWS/ RBS/ RDS-802B thru 808B

Bubble Number	Part Description	Part Number	Model Number - Pieces Per Unit										
			802B		804B			806B			808B		
			036B	040B	041B	051B	060B	070B	061B	071B	080B	081B	090B
Variable Inlet Vanes													
180	24" Fan, CW	032739200	1	1									
180	24" Fan, CCW	032738600	1	1									
180	27" Fan, CW	032739300			1	1	1	1					
180	27" Fan, CCW	032738700			1	1	1	1					
180	30" Fan, CW	032739400			1	1	1	1					
180	30" Fan, CCW	032738800			1	1	1	1					
180	33" Fan, CW	032739500						1	1	1			
180	33" Fan, CCW	032738900						1	1	1			
180	36" Fan, CW	032739600						1	1	1	1	1	
180	36" Fan, CCW	032739000						1	1	1	1	1	
180	40" Fan, CW	032739700									1	1	1
180	40" Fan, CCW	032739100									1	1	1
Linkage Rod-Vane to Shaft Crankarm													
181	18.40" Long (24" Fan)	034831712	2	2									
181	25.14" Long (27" Fan) 2-30 hp Fan*	034831708			2	2	2	2					
181	22.69" Long (27" Fan) 40 hp Fan**	034831715			2	2	2	2					
181	27.90" Long (30" Fan) 3-30 hp Fan*	034831706			2	2	2	2					
181	26.57" Long (30" Fan) 40 hp Fan**	034831720			2	2	2	2					
181	30.29" Long (33" Fan)	034831713						2	2	2			
181	33.78" Long (36" Fan)	034831716						2	2	2	2	2	
181	37.44" Long (40" Fan)	034831719									2	2	2
Linkage Rod-Shaft Crankarm to Actuator Motor Crankarm													
182	7.20" Long (24" Fan)	034831711	1	1									
182	7.40" Long (27" Fan) 2-30 hp Fan*	034831707			1	1	1	1					
182	20.50" Long (27" Fan) 40 hp Fan**	034831710			1	1	1	1					
182	6.60" Long (30" Fan)	034831709			1	1	1	1					
182	22.69" Long (30" & 33" Fan) 40-50 hp Fan**	034831715			1	1	1	1	1	1	1		
182	25.09" Long (33" Fan) 10-30 hp Fan*	034831714						1	1	1			
182	25.44" Long (36" Fan) 10-30 hp Fan*	034831717						1	1	1	1	1	
182	23.04" Long (36" Fan) 40-60 hp Fan**	034831718						1	1	1	1	1	
182	26.57" Long (40" Fan) 15-30 hp Fan*	034831720									1	1	1
182	24.13" Long (40" Fan) 40-60 Fan**	034831721									1	1	1

* All fan sizes prior to September 1990; 2-30 hp fans after September 1990

**40-60 hp fans after September 1990

Continued on next page

Supply Air Fan

Variable Inlet Vanes

RPS/ RFS-036B thru 100B

RHS/ RWS/ RBS/ RDS-802B thru 808B

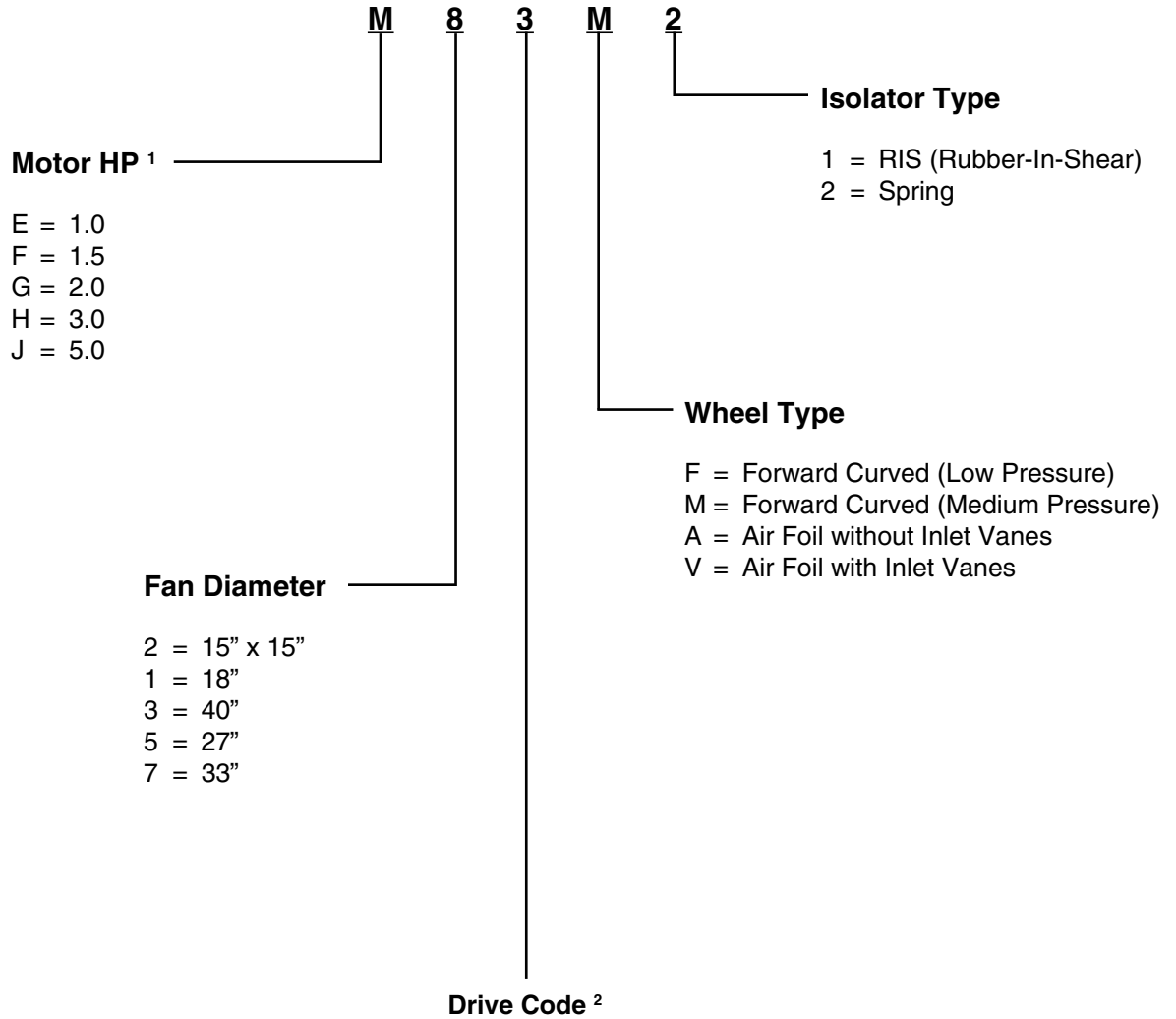
Bubble Number	Part Description	Part Number	Model Number - Pieces Per Unit									
			802B		804B			806B			808B	
			036B	040B	041B	051B	060B	070B	061B	071B	080B	081B
Shaft-Left Vane Linkage to Right Vane Linkage												
183	1.00" Dia. 44.50" Long (24" Fan)	031839101	1	1								
183	1.00" Dia. 48.00" Long (27" Fan)	031965001			1	1	1	1				
183	1.00" Dia. 52.00" Long (30" Fan)	034832401			1	1	1	1				
183	1.00" Dia. 57.00" Long (33" Fan)	034832801							1	1	1	
183	1.00" Dia. 63.13" Long (36" Fan)	034832901							1	1	1	1
183	1.00" Dia. 68.00" Long (40" Fan)	034833000									1	1
184	Crankarm-Linkage Shaft, Other than 27" & 30" Fan with 40 hp Fan**	034543200	2	2	2	2	2	2	2	2	2	2
184	Crankarm-Linkage Shaft, 27" & 30" Fan with 40 hp Fan**	066093700			2	2	2	2				
185	Key, Shaft, 2.75" Long - ALL FAN SIZES	023221301	2	2	2	2	2	2	2	2	2	2
186	Bearing, Pillow Block, 1.00" Bore Dia., All Fan Sizes	020648611	2	2	2	2	2	2	2	2	2	2
187	Bearing Bracket - ALL FAN SIZES	031964600	2	2	2	2	2	2	2	2	2	2
Ball Joint, Male												
188	Vane End of Vane to Shaft Crankarm Linkage ALL FAN SIZES	034256500	2	2	2	2	2	2	2	2	2	2
Ball Joint, Female												
189	Shaft Crankarm End of Vane to Shaft Crankarm Linkage Rod - ALL FAN SIZES	027671100	2	2	2	2	2	2	2	2	2	2
Ball Joint, Male												
190	Shaft Crankarm End of Shaft Crankarm to Actuator Motor Linkage Rod - ALL FAN SIZES	034256500	2	2	2	2	2	2	2	2	2	2
Ball Joint, Female												
191	Actuator Motor End of Shaft Crankarm to Actuator Motor Linkage Rod - ALL FAN SIZES	027671100	2	2	2	2	2	2	2	2	2	2
192	Shaft Hub -ALL FAN SIZES	031778500	2	2	2	2	2	2	2	2	2	2
193	Shaft Bushing, H, 1" Bore-ALL FAN SIZES	000803900	2	2	2	2	2	2	2	2	2	2
194	Crankarm-Actuator Motor, 2-30 hp Fans	032279200	1	1	1	1	1	1	1	1	1	1
195	Crankarm-Adapter Plate-Actuator Mtr, 2-30 hp Fans	033603300	1	1	1	1	1	1	1	1	1	1
196	Crankarm-Actuator Motor, 60 hp Fans	031771800			1	1	1	1	1	1	1	1
197	Turnbuckle - ALL FAN SIZES	032851100	1	1	1	1	1	1	1	1	1	1
198	Turnbuckle - ALL FAN SIZES	032851100	2	2	2	2	2	2	2	2	2	2

* All fan sizes prior to September 1990; 2-30 hp fans after September 1990

**40-60 hp fans after September 1990

Return Air Drive Nomenclature

Code 19 Nomenclature



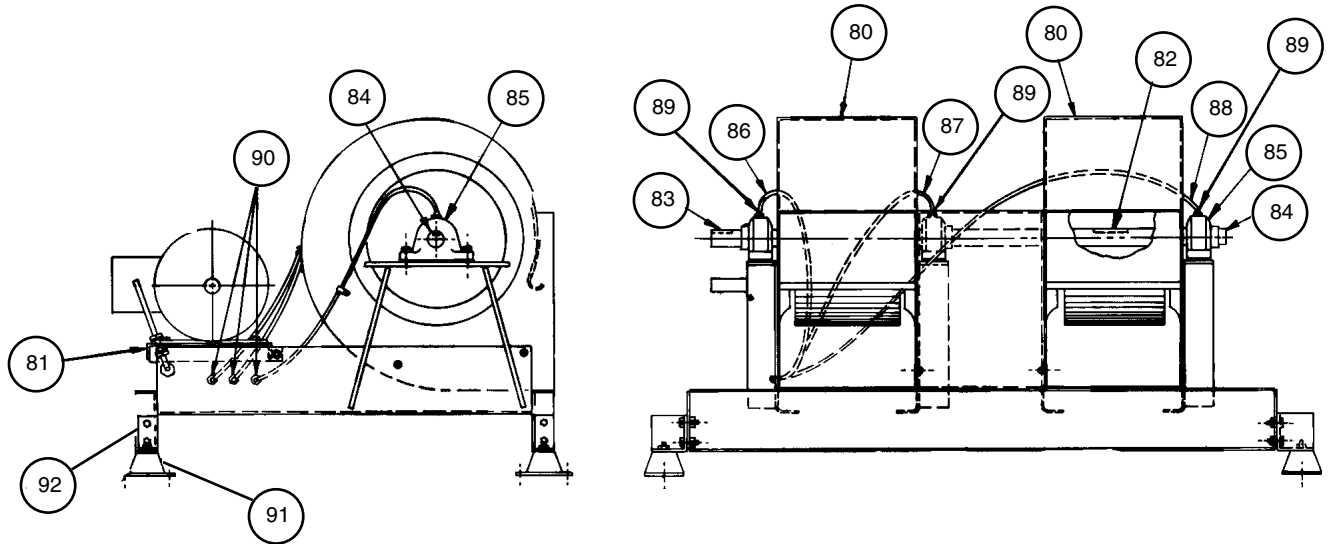
¹ Return Fan motor HP must never exceed the HP of the Supply Fan motor. A motor larger than 5.0 HP would be considered a special order item (Code 19= XXXXX).

² Due to the large number of possible sheave combinations, when replacing any drive component contact McQuay Parts with model and serial number information so that the required part(s) can be identified.

Return Air Fan

Forward Curve (FC) Fan - 15"

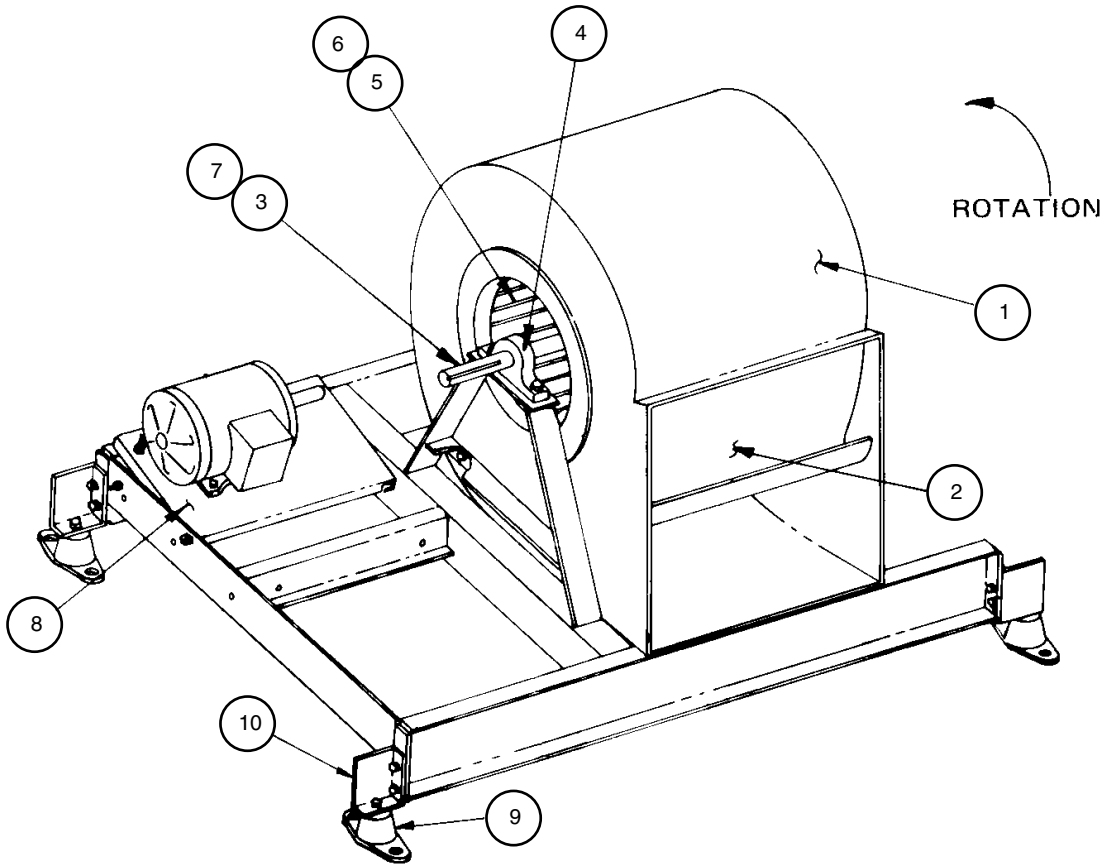
RPS/ RFS-018B, 020B, 025B, 030B RHS/ RWS/ RBS/ RDS-800B



RPS/RFS 018B, 020B, 025B, 030B & RBS/RDS/RHS/RWS 800B - 15" Fan

Bubble Number	Part Description	Part Number	Qty.
80	Fan Wheel Assembly (15.00"x15.50" FC Fan), includes Housing & Cutoff Plate	033135100	2
81	Motor Shelf	033262600	1
82	Fan Key, 4.75" Long (15.00"x15.50" FC Fan)	023221409	2
83	Sheave Key, 3.00" Long, (15.00"x15.50" FC Fan)	023221405	1
84	Shaft, 1.44" Diameter, 62.24" Long (15.00"x15.50" FC Fan)	033262001	1
85	Bearing, Pillow Block, 1.43" Bore Dia., (15.00"x15.50" FC Fan)	020648601	3
86	Fan Lubrication Tubing, 26.00" Long	021136726	1
87	Fan Lubrication Tubing, 50.00" Long	021136750	1
88	Fan Lubrication Tubing, 86.00" Long	021136786	1
89	Zerk Fitting, Fan Lubrication Adapter, .125" MPT	021213700	3
90	Zerk Fitting, Fan Lubrication Adapter, .125" FPT	021213800	3
91	Vibration Mount, Rubber, RP-3 Red	021639701	4
92	Mount Support Angle, Rubber Mount	035205200	4

Return Air Fan
Forward Curve (FC) Fan - 18"
RPS/ RFS-036B, 040B
RHS/ RWS/ RBS/ RDS-802B

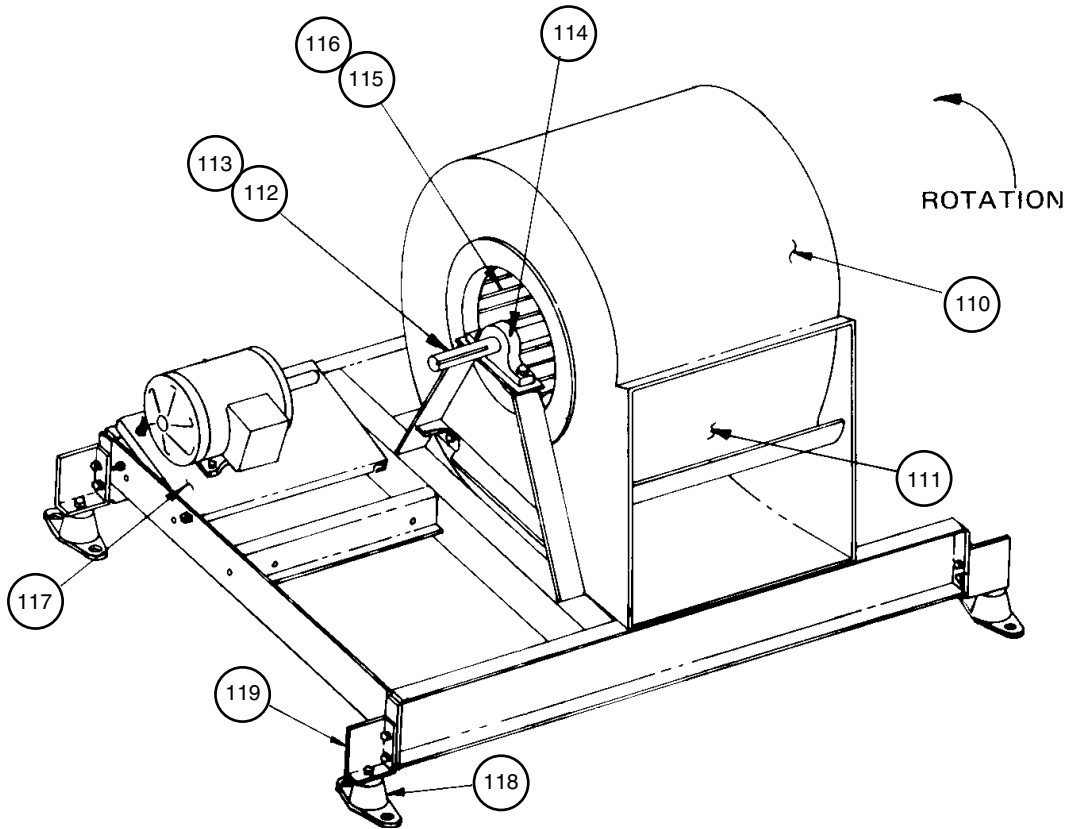


Bubble Number	Part Description	Part Number	Qty.
1	Fan Wheel Housing (Includes Housing & Inlet Funnel)	030633100	1
2	Cutoff Plate	025490400	1
3	Shaft, 1.44" Diameter, 46.00" Long	030633701	1
4	Bearing, Pillow Block, 1.43" Bore Diameter	020648601	2
5	Fan Wheel, 18" FC Low Pressure Fan	043579500	1
6	Fan Key, 4.75" Long	023221409	1
7	Sheave Key, 5.50" Long	023221415	1
8	Motor Shelf	029433500	1
9	Vibration Mount, Rubber, RP-3 Red	021639701	4
10	Mount Support Angle, Rubber Mount	035205200	4

Return Air Fan

Forward Curve (FC) Fan - 27"

RPS/ RFS-041B, 051B, 060B, 070B RHS/ RWS/ RBS/ RDS-804B



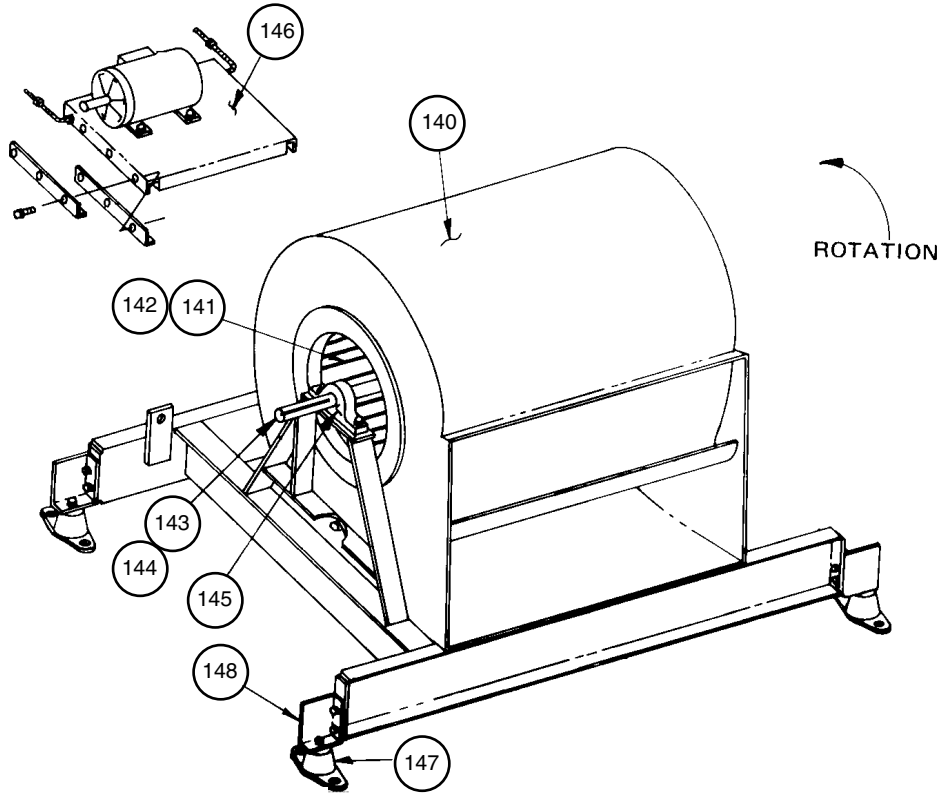
Bubble Number	Part Description	Part Number	Qty.
110	Fan Wheel Assembly (27" FC Low & Med. Pressure Fan) Does Not Include Housing & Cutoff Plate	032325300	1
111	Cutoff Plate (27" FC Low & Med. Pressure Fan)	030030102	1
112	Shaft, 1.69" Diameter, 54.00" Long (27" FC Low & Med. Pressure Fan)	030570101	1
113	Sheave Key, 5.50" Long, 27" FC Low & Med. Pressure Fan	023221415	1
114	Bearing, Pillow Block, 1.68" Bore Dia., 27" FC Low & Med. Pressure Fan	020648602	2
115	Fan Wheel, 27" FC Low Pressure	024061101	1
115	Fan Wheel, 27" FC Med. Pressure	024061102	1
116	Fan Key, 4.75" Long, 27" FC Low & Med. Pressure Fan	023221409	1
117	Motor Shelf	029433500	1
118	Vibration Mount, Rubber, RP-3 Red	021639701	4
119	Mount Support Angle, Rubber Mount	025305200	4

Return Air Fan

Forward Curve (FC) Fan - 33"

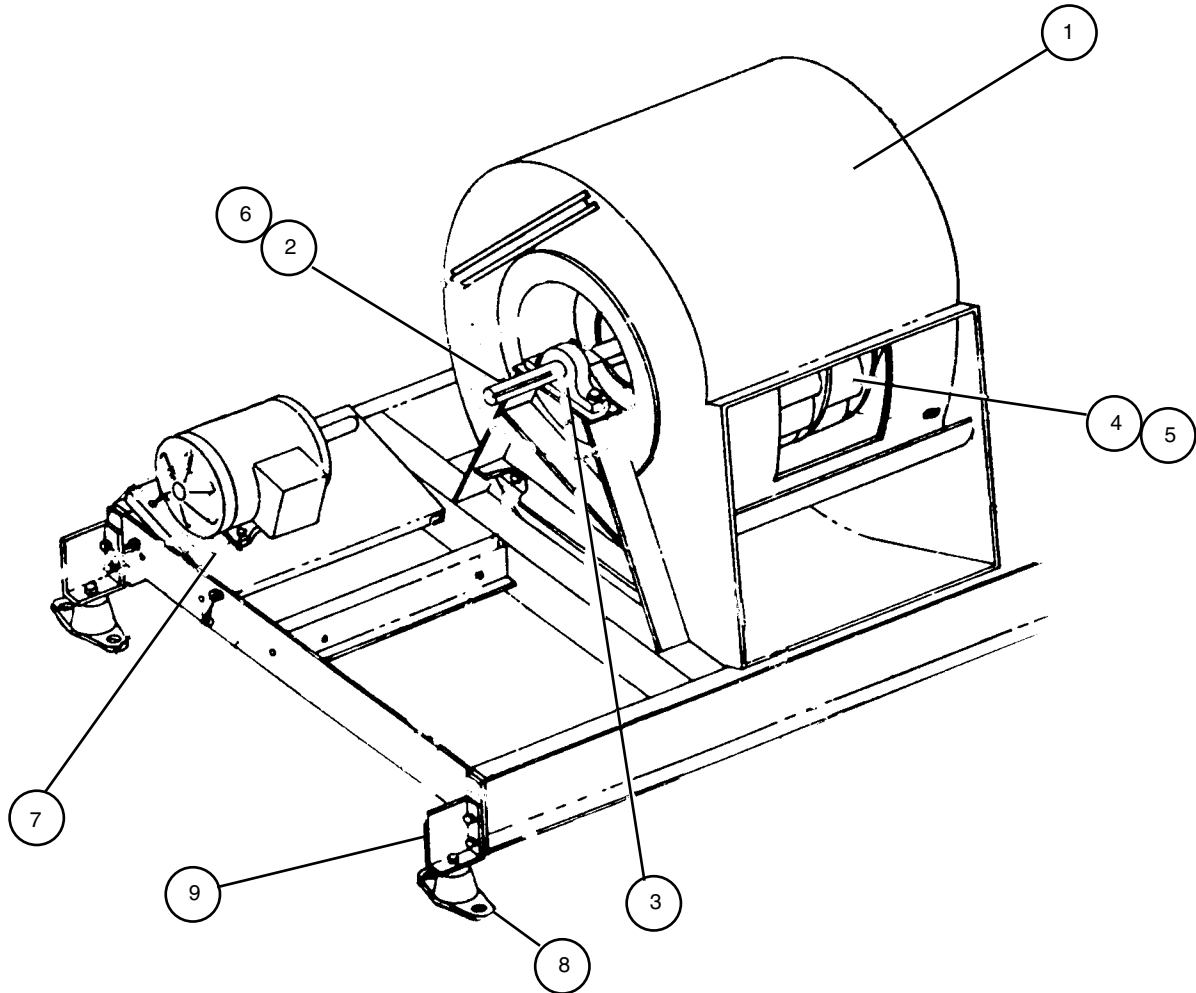
RPS/RFS-061B, 071B, 080B, 081B, 090B, 100B

RHS/RWS/RBS/RDS-806B, 808B



Bubble Number	Part Description	Part Number	Qty.
140	Fan Wheel Housing (33" FC Low Pressure Fan) Includes Housing, Inlet Funnels & Cut-Off Plates	033600300	1
141	Fan Wheel (33" FC Low Pressure Fan)	012725735	1
142	Fan Key, 4.75" Lg. (33" FC Fan)	023221508	1
143	Shaft, 2.19" Dia., 62.00" Long (33" FC Fan)	032423101	1
144	Sheave Key, 5.50" Long (33" FC Fan)	023221513	1
145	Bearing, Pillow Block, 2.188" Bore Diameter (33" FC Fan)	020648604	2
146	Motor Shelf	032531700	1
147	Vibration Mount, Rubber, RP-3 Red	021639701	4
148	Mount Support Angle (Rubber Mount)	035205100	4

Return Air Fan
Airfoil (AF) Fans - Variable Inlet Fans - 18"
RPS/ RFS-036B, 040B
RHS/ RWS/ RBS/ RDS-802B



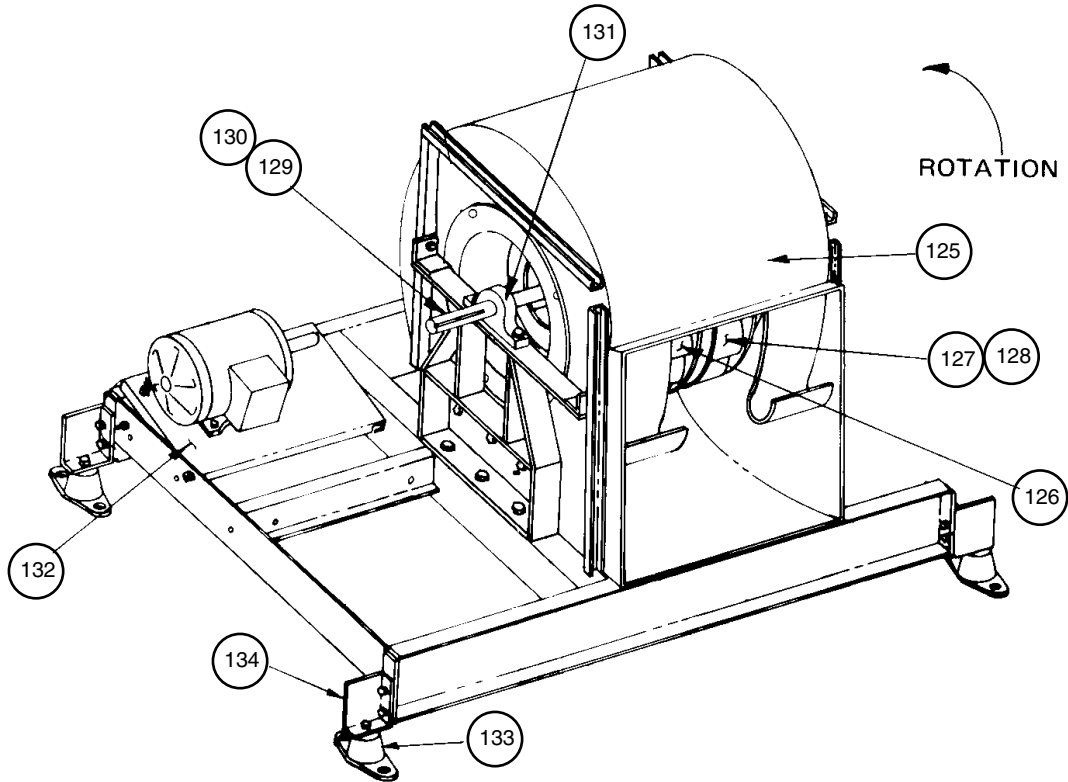
Bubble Number	Part Description	Part Number	Qty.
1	Fan Wheel Housing (AF Fan), Includes Housing, Cutoff Plates & Inlet Funnels	031836401	1
1	Fan Wheel Housing (AF Fan), Includes Housing, Cutoff Plates & Variable Inlet	031836402	1
2	Shaft, 1.94" Diameter, 43.50" Long	031836501	1
3	Bearing, Pillow Block, 1.93" Bore Diameter	020648603	2
4	Fan Wheel, 18" DWAF Fan	023392415	1
5	Fan Key, 4.75" Long	023221508	1
6	Sheave Key, 5.50" Long	023221513	1
7	Motor Shelf	029433500	1
8	Vibration Mount, Rubber, RP-3 Red	021639701	4
9	Mount Support Angle, Rubber Mount	035205200	4

Return Air Fan

Airfoil (AF) & Variable Inlet Fans - 27"

RPS/RFS-041B, 051B, 060B, 070B

RHS/RWS/RBS/RDS-804B



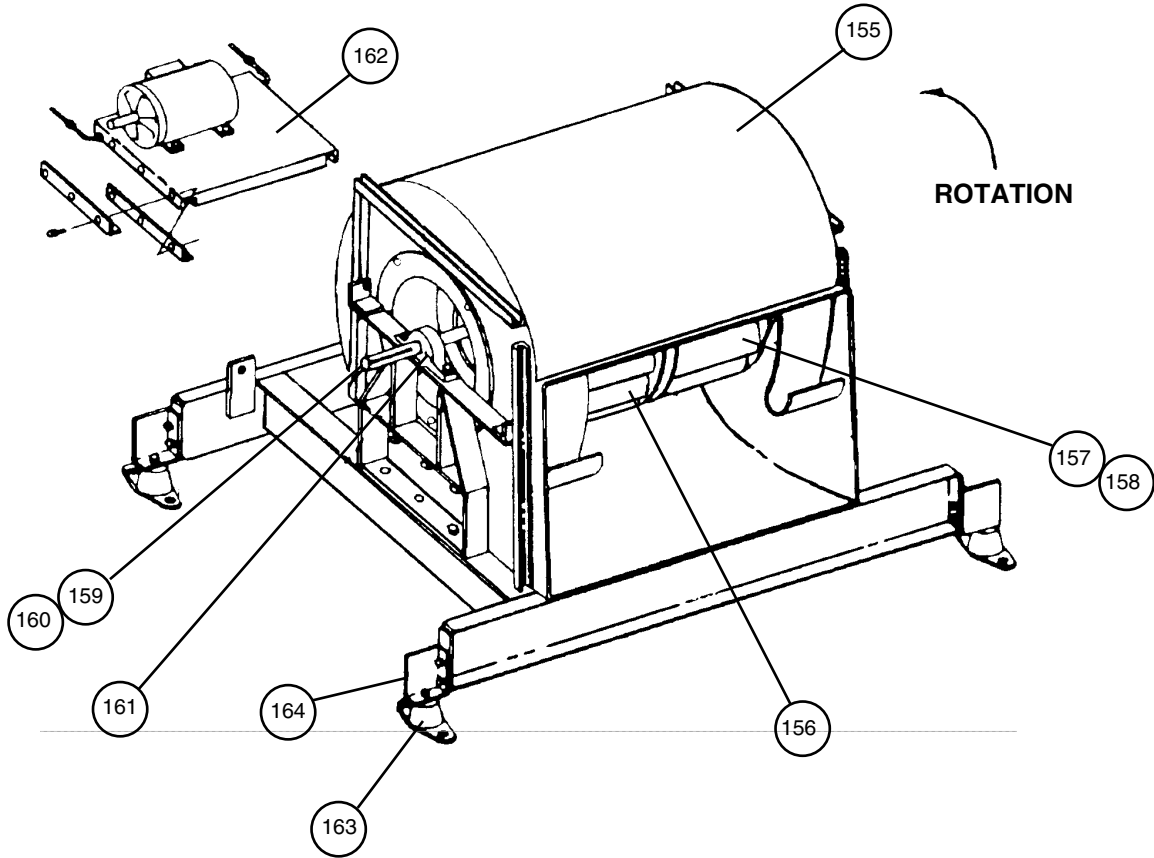
Bubble Number	Part Description	Part Number	Qty.
125	Fan Wheel Ass'y (27" AF Fan) Includes Housing, Inlet Funnel & Cut-Off Plates	034397901	1
	Fan Wheel Ass'y (27" AF Fan) Includes Housing & Cut-Off Plates	034397800	1
126	Fan Wheel (27" AF Fan & Variable Inlet Fan) CW	066543201	1
127	Fan Wheel (27" AF Fan & Variable Inlet Fan) CCW	066543202	1
128	Fan Key, 4.25" Lg. (27" F & Variable Inlet Fan)	023221519	2
129	Shaft, 2.19" Dia., 53.81" Long (27" AF Fan & Variable Inlet Fan)	055599502	1
130	Sheave Key, 5.50" Long (27" AF Fan & Variable Inlet Fan)	023221513	1
131	Bearing, Pillow Block, 2.188" Bore Diameter (27" AF Fan & Variable Inlet Fan)	020648604	2
132	Motor Shelf	029433500	1
133	Vibration Mount, Rubber, RP-3 Red	021639701	4
134	Mount Support Angle (Rubber Mount)	035205200	4

Return Air Fan

Airfoil (AF) & Variable Inlet Fans - 33"

RPS/RFS-061B, 071B, 080B, 081B, 090B, 100B

RHS/RWS/RBS/RDS-806B, 808B



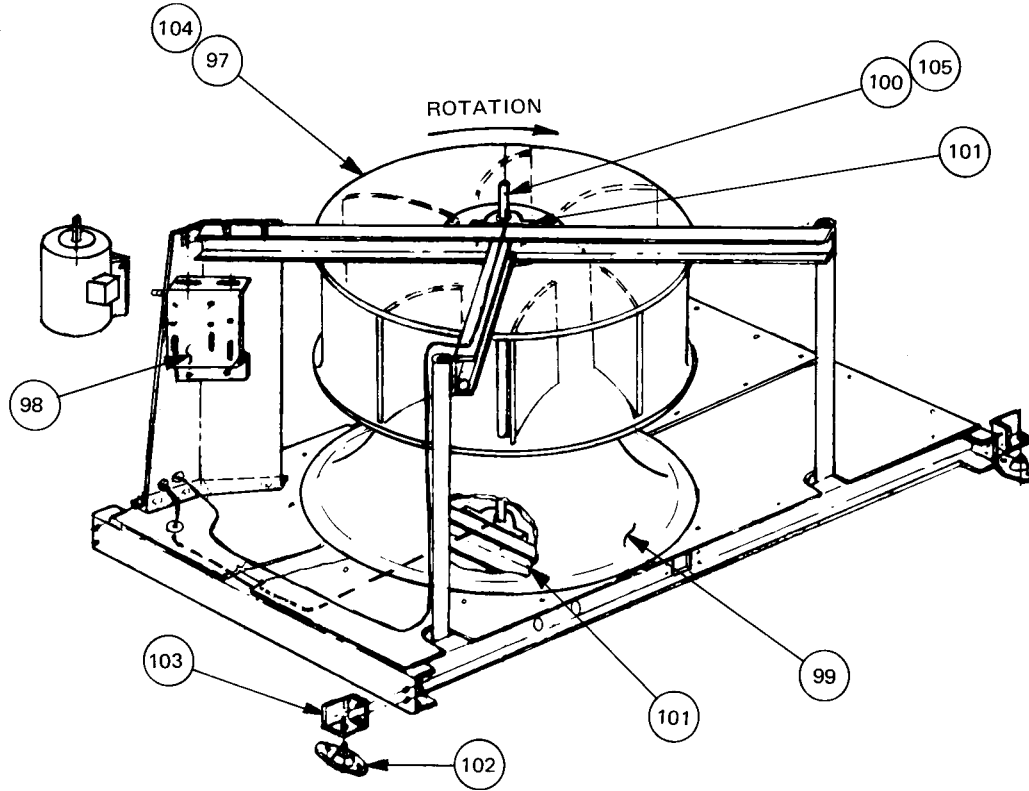
Bubble Number	Part Description	Part Number	Qty.
155	Fan Wheel Housing (33" AF Fan) Incl.; Housing, Inlet Funnels & Cut-off Plates	032632201	1
155	Fan Wheel Housing (33" Variable Inlet Fan) Incl.; Housing & Cut-off Plates	033600000	1
156	Fan Wheel (33" AF & Variable Inlet Fan) CW	066543205	1
157	Fan Wheel (33" AF & Variable Inlet Fan) CCW	066543206	1
158	Fan Key, 4.25" Long (33" AF & Variable Inlet Fan)	023221617	2
159	Shaft, 2.44" Diameter, 62.00" Long (33" AF & Variable Inlet Fan)	032586301	1
160	Sheave Key, 5.50" Long (33" AF & Variable Inlet Fan)	023221607	1
161	Bearing, Pillow Block, 2.44" Bore Diameter (33" AF & Variable Inlet Fan)	020648605	2
162	Motor Shelf	032531700	1
163	Vibration Mount, Rubber, RP-3 Red	021639701	4
164	Mount Support Angle (Rubber Mount)	035205100	4

Return Air Fan

Airfoil (AF) Fan-Horizontal Mount - 40"

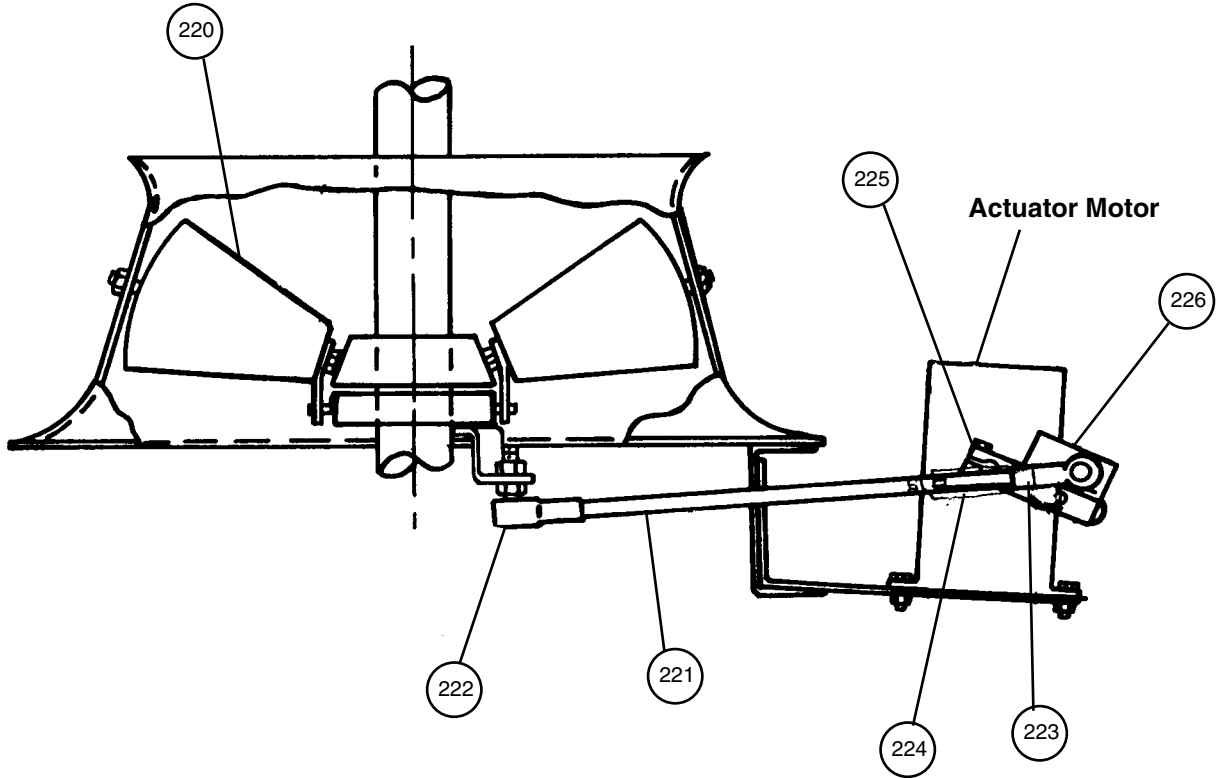
RPS/ RFS-036B, 040B

RHS/ RWS/ RBS/ RDS-802B



Bubble Number	Part Description	Part Number	Qty.
97	Fan Wheel Assembly, 40" AF Fan, Horizontal Mount	066543242	1
98	Motor Mount	038234401	1
99	Inlet Funnel, 40" AF Fan, Horizontal Mount, without Variable Inlet Vane	031940905	1
100	Shaft, 1.94" Diameter, 43.50" Long, 40" AF Fan, Horizontal Mount	037788701	1
101	Bearing, Pillow Block, 1.93" Bore Dia., 40" AF Fan, Horizontal Mount	020648603	2
102	Vibration Mount, Rubber, RP-3 Black	021639704	4
103	Mount Support Angle, Rubber Mount	035205200	4
104	Fan Key, 4.75" Long, 40" AF Fan, Horizontal Mount	023221508	1
105	Sheave Key, 4.50" Long, 40" AF Fan, Horizontal Mount	023221507	1

Return Air Fan
Variable Inlet Vanes - Horizontal Mount
RPS/RFS-036B, 040B
RHS/RWS/RBS/RDS-802B



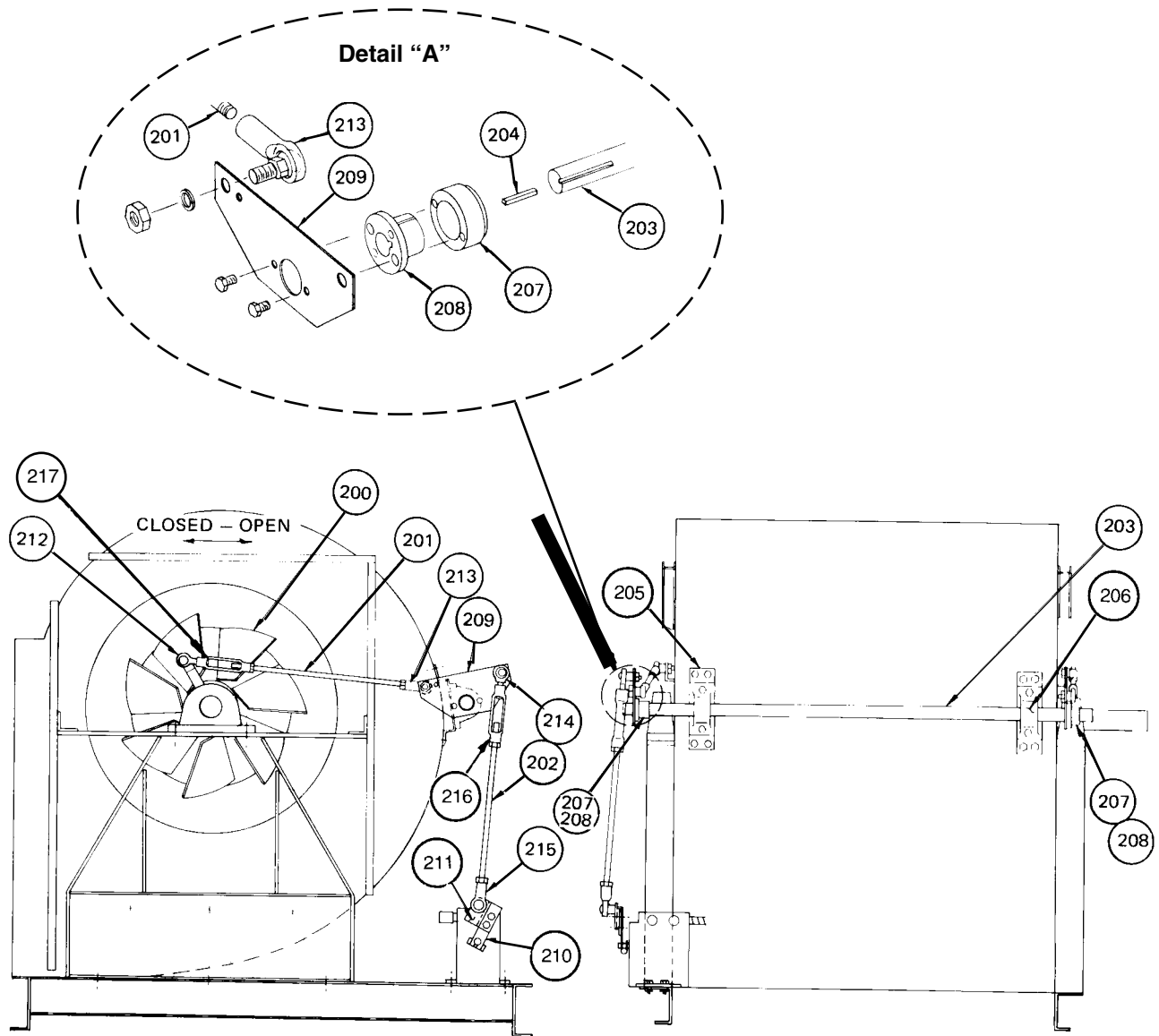
Bubble Number	Part Description	Part Number	Qty.
220	Variable Inlet Vanes (40" Horizontal Mount Fan)	032739700	1
221	Linkage Rod, Vane to Actuator Motor, 19.00" Long	034831722	1
222	Ball Joint, Female-Vane End of Vane to Actuator Motor Linkage Rod	027671100	1
223	Ball Joint, Male-Actuator Motor End of Vane to Actuator Motor Linkage Rod	034256500	1
224	Turnbuckle, Machined	032851100	1
225	Crankarm-Actuator Motor	032279200	1
226	Crankarm Adapter Plate	038236500	1

Return Air Fan

Variable Inlet Vanes

RPS/RFS- 036B thru 100B

RHS/RWS/RBS/RDS- 802B, 804B, 806B, 808B



Return Air Fan

Variable Inlet Vanes

RPS/RFS-036B thru 100B

RHS/RWS/RBS/RDS-802B, 804B, 806B, 808B

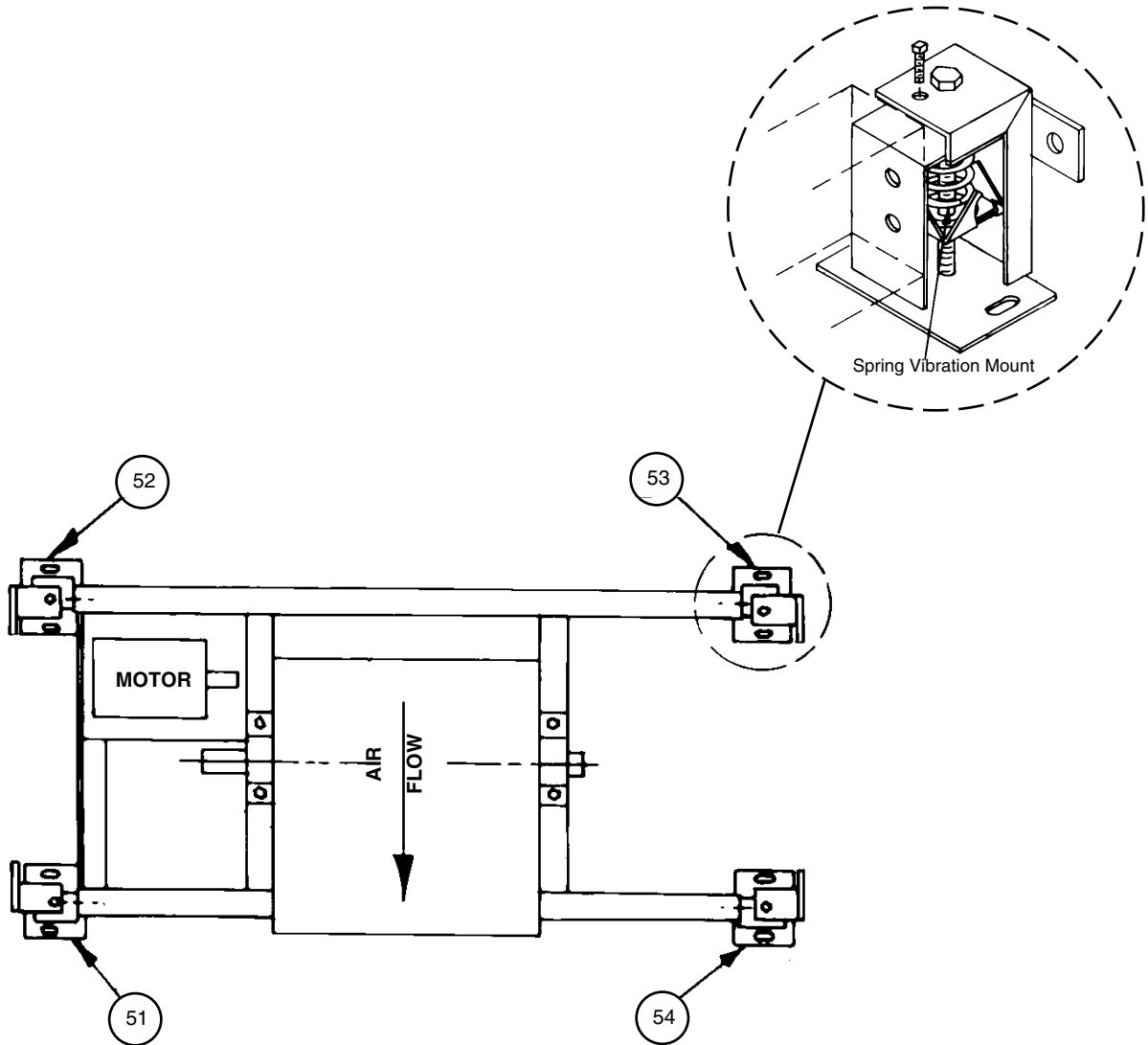
Bubble Number	Part Description	Part Number	Model Number - Pieces Per Unit									
			802B		804B			806B			808B	
			036B	040B	041B	051B	060B	070B	061B	071B	080B	081B
Variable Inlet Vanes												
200	18" Fan, CW	024029709	1	1								
200	18" Fan CCW	024029710	1	1								
200	27" Fan CW	032739300			1	1	1	1				
200	27" Fan CCW	032738700			1	1	1	1				
200	33" Fan, CW	032739500						1	1	1	1	1
200	33" Fan CCW	032738900						1	1	1	1	1
Linkage Rod-Vane to Shaft Crankarm												
201	10.50" Long (18" Fan)	034831702	2	2								
201	18.50" Long (27" Fan)	034831704			2	2	2	2				
201	27.90" Long (33" Fan)	034831706						2	2	2	2	2
Linkage Rod-Shaft Crankarm to Actuator Motor Crankarm												
202	7.10" Long (18" Fan)	034831701	1	1								
202	19.50" Long (27" Fan)	034831703			1	1	1	1				
202	25.90" Long (33" Fan)	034831705						1	1	1	1	1
Shaft-Left Vane Linkage to Right Vane Linkage												
203	1.00" Diameter, 42.00" Long (18" Fan)	031831901	1	1								
203	1.00" Diameter, 48.00" Long (27" Fan)	031965001			1	1	1	1				
203	1.00" Diameter, 57.00" Long (33" Fan)	034832801						1	1	1	1	1
204	Key, Shaft, 2.75" Long (All Fan Sizes)	023221301	2	2	2	2	2	2	2	2	2	2
205	Bearing Bracket (All Fan Sizes)	031964600	2	2	2	2	2	2	2	2	2	2
206	Bearing, Pillow Block, 1.00" Bore Dia. (All Fan Sizes)	020648611	2	2	2	2	2	2	2	2	2	2
207	Shaft Hub (All Fan Sizes)	031778500	2	2	2	2	2	2	2	2	2	2
208	Shaft Bushing, 1.00" Bore Dia. (All Fan Sizes)	000803900	2	2	2	2	2	2	2	2	2	2
209	Crankarm-Linkage Shaft (18" Fan)	034951901	2	2								
209	Crankarm-Linkage Shaft (27" & 33" Fan)	034832700			2	2	2	2	2	2	2	2
210	Crankarm-Actuator Motor (All Fan Sizes)	032279200	1	1	1	1	1	1	1	1	1	1
211	Crankarm Adapter Plate-Actuator Motor (All Fan Sizes)	033603300	1	1	1	1	1	1	1	1	1	1
212	Ball Joint, Male-Vane End of Vane to Shaft Crankarm Linkage Rod (All Fan Sizes)	034256500	2	2	2	2	2	2	2	2	2	2
213	Ball Joint, Female-Shaft Crankarm End of Vane to Shaft Crankarm Linkage Rod (All Fan Sizes)	027671100	2	2	2	2	2	2	2	2	2	2
214	Ball Joint, Male-Shaft Crankarm, End of Shaft, Crankarm to Actuator Motor, Crankarm Linkage Rod (All Fan Sizes)	034256500	1	1	1	1	1	1	1	1	1	1
215	Ball Joint, Female-Actuator Motor End Shaft, Crankarm to Actuator Motor, Crankarm Linkage Rod (All Fan Sizes)	027671100	1	1	1	1	1	1	1	1	1	1
216	Turnbuckle, Machined (All Fan Sizes)	032851100	1	1	1	1	1	1	1	1	1	1
217	Turnbuckle, Machined (All Fan Sizes)	032851100	2	2	2	2	2	2	2	2	2	2

Typical Blower

For Supply & Return Air Blowers

Spring Vibration Mounts Diagram

Typical Blower Top View
(Motor and Fan Arrangement Change Depending on Unit Size)



Supply Air Blower Spring Vibration Mounts

RPS/RFS-018B, 020B, 025B, 030B & RHS/RWS/RBS/RDS-800B

RPS/RFS-018B, 020B, 025B, 030B & RHS/RWS/RBS/RDS-800B 15"

Ref. Number	Supply Air Blower Wheel Type	Fan Diameter	Blower Motor HP	Part Description	Part Number
				Striping *	
51	Forward Curved (FC)-Low Pressure	15"	1-3	Blk	022611100
51	Forward Curved (FC)-Low Pressure	15"	5-20	Blu	022611200
52	Forward Curved (FC)-Low Pressure	15"	1-7.5	Yel	022611300
52	Forward Curved (FC)-Low Pressure	15"	10-20	Brn	022611400
53	Forward Curved (FC)-Low Pressure	15"	1-20	Blu	022611200
54	Forward Curved (FC)-Low Pressure	15"	1-20	Pnk	022611000

* NOTE: Spring color coding has changed. The colors shown above are the original versions. Contact McQuay Parts with model and serial number information so that the correct current spring can be selected.

Supply Air Blower

Spring Vibration Mounts, Continued

RPS/RFS-036B, 040B & RHS/RWS/RBS/RDS-802B

RPS/RFS-036B, 040B & RHS/RWS/RBS/RDS-802B 24”

Ref. Number	Supply Air Blower Wheel Type	Fan Diameter	Blower Motor HP	Part Description	Part Number
				Striping *	
51	Forward Curved (FC)-Low Pressure	24”	2-25	Yel	022611300
52	Forward Curved (FC)-Low Pressure	24”	2-5	Yel	022611300
52	Forward Curved (FC)-Low Pressure	24”	7.5-20	Brn	022611400
52	Forward Curved (FC)-Low Pressure	24”	25	Red	022611500
53	Forward Curved (FC)-Low Pressure	24”	2-10	Blu	022611200
53	Forward Curved (FC)-Low Pressure	24”	15-25	Yel	022611300
54	Forward Curved (FC)-Low Pressure	24”	2-25	Blu	022611200
51	Forward Curved (FC)-Med. Pressure	24”	2-15	Yel	022611300
51	Forward Curved (FC)-Med. Pressure	24”	20,25	Brn	022611400
52	Forward Curved (FC)-Med. Pressure	24”	2,3	Yel	022611300
52	Forward Curved (FC)-Med. Pressure	24”	5-15	Brn	022611400
52	Forward Curved (FC)-Med. Pressure	24”	20,25	Red	022611500
53	Forward Curved (FC)-Med. Pressure	24”	2,3	Blu	022611200
53	Forward Curved (FC)-Med. Pressure	24”	5-25	Yel	022611300
54	Forward Curved (FC)-Med. Pressure	24”	5-25	Blu	022611200
51	Airfoil	24”	2-15	Yel	022611300
51	Airfoil	24”	20-30	Brn	022611400
52	Airfoil	24”	2,3	Yel	022611300
52	Airfoil	24”	5-15	Brn	022611400
52	Airfoil	24”	20,30	Red	022611500
53	Airfoil	24”	2,3	Blu	022611200
53	Airfoil	24”	5-30	Yel	022611300
54	Airfoil	24”	2-30	Blu	022611200

* NOTE: Spring color coding has changed. The colors shown above are the original versions. Contact McQuay Parts with model and serial number information so that the correct current spring can be selected.

Supply Air Blower

Spring Vibration Mounts, Continued

RPS/RFS-041B, 051B, 060B, 070B & RHS/RWS/RBS/RDS-804B

RPS/RFS-041B, 051B, 060B, 070B & RHS/RWS/RBS/RDS-804B 27"

Ref. Number	Supply Air Blower Wheel Type	Fan Diameter	Blower Motor HP	Part Description	Part Number
				Striping *	
51	Forward Curved (FC)-Low Pressure	27"	5-20	Yel	022611300
51	Forward Curved (FC)-Low Pressure	27"	25-40	Brn	022611400
52	Forward Curved (FC)-Low Pressure	27"	5-15	Brn	022611400
52	Forward Curved (FC)-Low Pressure	27"	20-30	Red	022611500
52	Forward Curved (FC)-Low Pressure	27"	40	Pur	022611600
53	Forward Curved (FC)-Low Pressure	27"	5-10	Yel	022611300
53	Forward Curved (FC)-Low Pressure	27"	15-40	Brn	022611400
54	Forward Curved (FC)-Low Pressure	27"	5-40	Blu	022611200
51	Forward Curved (FC)-Med. Pressure	27"	5-15	Yel	022611300
51	Forward Curved (FC)-Med. Pressure	27"	20-40	Brn	022611400
52	Forward Curved (FC)-Med. Pressure	27"	5-15	Brn	022611400
52	Forward Curved (FC)-Med. Pressure	27"	20-30	Red	022611500
52	Forward Curved (FC)-Med. Pressure	27"	40	Pur	022611600
53	Forward Curved (FC)-Med. Pressure	27"	5-40	Brn	022611400
54	Forward Curved (FC)-Med. Pressure	27"	5-40	Blu	022611200
51	Airfoil without Vanes	27"	2-15	Yel	022611300
51	Airfoil without Vanes	27"	20-40	Brn	022611400
52	Airfoil without Vanes	27"	2,3	Yel	022611300
52	Airfoil without Vanes	27"	5-15	Brn	022611400
52	Airfoil without Vanes	27"	20-30	Red	022611500
52	Airfoil without Vanes	27"	40	Pur	022611600
53	Airfoil without Vanes	27"	2,3	Yel	022611300
53	Airfoil without Vanes	27"	5-40	Brn	022611400
54	Airfoil without Vanes	27"	2,3	Yel	022611300
54	Airfoil without Vanes	27"	5-40	Blu	022611200
51	Airfoil with Vanes	27"	2-10	Yel	022611300
51	Airfoil with Vanes	27"	15-40	Brn	022611400
52	Airfoil with Vanes	27"	2,3	Yel	022611300
52	Airfoil with Vanes	27"	5-10	Brn	022611400
52	Airfoil with Vanes	27"	15-30	Red	022611500
52	Airfoil with Vanes	27"	40	Pur	022611600
53	Airfoil with Vanes	27"	2,3	Yel	022611300
53	Airfoil with Vanes	27"	5-40	Brn	022611400
54	Airfoil with Vanes	27"	2-40	Yel	022611300

* NOTE: Spring color coding has changed. The colors shown above are the original versions. Contact McQuay Parts with model and serial number information so that the correct current spring can be selected.

Supply Air Blower

Spring Vibration Mounts, Continued

RPS/RFS-041B, 051B, 060B, 070B & RHS/RWS/RBS/RDS-804B

RPS/RFS-041B, 051B, 060B, 070B & RHS/RWS/RBS/RDS-804B 30"

Ref. Number	Supply Air Blower Wheel Type	Fan Diameter	Blower Motor HP	Part Description	Part Number
				Striping *	
51	Forward Curved (FC)-Low Pressure	30"	5-20	Yel	022611300
51	Forward Curved (FC)-Low Pressure	30"	25-40	Brn	022611400
52	Forward Curved (FC)-Low Pressure	30"	5,7.5	Brn	022611400
52	Forward Curved (FC)-Low Pressure	30"	10-25	Red	022611500
52	Forward Curved (FC)-Low Pressure	30"	30-40	Pur	022611600
53	Forward Curved (FC)-Low Pressure	30"	5-40	Brn	022611400
54	Forward Curved (FC)-Low Pressure	30"	5-40	Blu	022611200
51	Forward Curved (FC)-Med. Pressure	30"	5-10	Yel	022611300
51	Forward Curved (FC)-Med. Pressure	30"	15-40	Brn	022611400
52	Forward Curved (FC)-Med. Pressure	30"	5,7.5	Brn	022611400
52	Forward Curved (FC)-Med. Pressure	30"	10-20	Red	022611500
52	Forward Curved (FC)-Med. Pressure	30"	25-40	Pur	022611600
53	Forward Curved (FC)-Med. Pressure	30"	5-25	Brn	022611400
53	Forward Curved (FC)-Med. Pressure	30"	30,40	Red	022611500
54	Forward Curved (FC)-Med. Pressure	30"	5-40	Yel	022611300
51	Airfoil (AF) without Vanes	30"	3	Brn	022611400
51	Airfoil (AF) without Vanes	30"	5-40	Red	022611500
52	Airfoil (AF) without Vanes	30"	3	Brn	022611400
52	Airfoil (AF) without Vanes	30"	5-20	Red	022611500
52	Airfoil (AF) without Vanes	30"	25-40	Pur	022611600
53	Airfoil (AF) without Vanes	30"	3-10	Brn	022611400
53	Airfoil (AF) without Vanes	30"	15-40	Red	022611500
54	Airfoil (AF) without Vanes	30"	5-40	Brn	022611400
51	Airfoil (AF) with Vanes	30"	3	Brn	022611400
51	Airfoil (AF) with Vanes	30"	5-40	Red	022611500
52	Airfoil (AF) with Vanes	30"	3	Brn	022611400
52	Airfoil (AF) with Vanes	30"	5-20	Red	022611500
52	Airfoil (AF) with Vanes	30"	25-40	Pur	022611600
53	Airfoil (AF) with Vanes	30"	5-7.5	Brn	022611400
53	Airfoil (AF) with Vanes	30"	10-40	Red	022611500
54	Airfoil (AF) with Vanes	30"	3-40	Brn	022611400

* NOTE: Spring color coding has changed. The colors shown above are the original versions. Contact McQuay Parts with model and serial number information so that the correct current spring can be selected.

Supply Air Blower

Spring Vibration Mounts, Continued

RPS/RFS-061B, 071B, 080B & RHS/RWS/RBS/RDS-806B

RPS/RFS-061B, 071B, 080B & RHS/RWS/RBS/RDS-806B 33"

Ref. Number	Supply Air Blower Wheel Type	Fan Diameter	Blower Motor HP	Part Description	Part Number
				Striping *	
51	Forward Curved (FC)-Low Pressure	33"	10-30	Red	022611500
51	Forward Curved (FC)-Low Pressure	33"	40,50	Pur	022611600
52	Forward Curved (FC)-Low Pressure	33"	10-20	Red	022611500
52	Forward Curved (FC)-Low Pressure	33"	25-50	Pur	022611600
53	Forward Curved (FC)-Low Pressure	33"	10-20	Brn	022611400
53	Forward Curved (FC)-Low Pressure	33"	25-50	Red	022611500
54	Forward Curved (FC)-Low Pressure	33"	10-50	Brn	022611400
51	Forward Curved (FC)-Med. Pressure	33"	10,15	Red	022611500
51	Forward Curved (FC)-Med. Pressure	33"	20-50	Pur	022611600
52	Forward Curved (FC)-Med. Pressure	33"	10-20	Red	022611500
52	Forward Curved (FC)-Med. Pressure	33"	25-50	Pur	022611600
53	Forward Curved (FC)-Med. Pressure	33"	10-50	Red	022611500
54	Forward Curved (FC)-Med. Pressure	33"	10-50	Brn	022611400
51	Airfoil (AF) without Vanes	33"	5-40	Red	022611500
52	Airfoil (AF) without Vanes	33"	5-20	Red	022611500
52	Airfoil (AF) without Vanes	33"	25-40	Pur	022611600
53	Airfoil (AF) without Vanes	33"	5-10	Brn	022611400
53	Airfoil (AF) without Vanes	33"	15-40	Red	022611500
54	Airfoil (AF) without Vanes	33"	5-40	Brn	022611400
51	Airfoil (AF) with Vanes	33"	5-40	Red	022611500
52	Airfoil (AF) with Vanes	33"	5-20	Red	022611500
52	Airfoil (AF) with Vanes	33"	25-40	Pur	022611600
53	Airfoil (AF) with Vanes	33"	5-7.5	Brn	022611400
53	Airfoil (AF) with Vanes	33"	10-40	Red	022611500
54	Airfoil (AF) with Vanes	33"	5-40	Brn	022611400

* NOTE: Spring color coding has changed. The colors shown above are the original versions. Contact McQuay Parts with model and serial number information so that the correct current spring can be selected.

Supply Air Blower

Spring Vibration Mounts, Continued

RPS/RFS-061B, 071B, 080B & RHS/RWS/RBS/RDS-806B

RPS/RFS-061B, 071B, 080B & RHS/RWS/RBS/RDS-806B 36"

Ref. Number	Supply Air Blower Wheel Type	Fan Diameter	Blower Motor HP	Part Description	Part Number
				Striping *	
51	Forward Curved (FC)-Low Pressure	36"	10-50	Pur	022611600
52	Forward Curved (FC)-Low Pressure	36"	10-25	Red	022611500
52	Forward Curved (FC)-Low Pressure	36"	30-50	Pur	022611600
53	Forward Curved (FC)-Low Pressure	36"	10-50	Red	022611500
54	Forward Curved (FC)-Low Pressure	36"	10-50	Red	022611500
51	Forward Curved (FC)-Med. Pressure	36"	10-50	Pur	022611600
52	Forward Curved (FC)-Med. Pressure	36"	10	Red	022611500
52	Forward Curved (FC)-Med. Pressure	36"	15-50	Pur	022611600
53	Forward Curved (FC)-Med. Pressure	36"	10-50	Red	022611500
54	Forward Curved (FC)-Med. Pressure	36"	10-50	Red	022611500
51	Airfoil (AF) without Vanes	36"	5-50	Pur	022611600
52	Airfoil (AF) without Vanes	36"	5-15	Red	022611500
52	Airfoil (AF) without Vanes	36"	20-50	Pur	022611600
53	Airfoil (AF) without Vanes	36"	5-50	Red	022611500
54	Airfoil (AF) without Vanes	36"	5-50	Red	022611500
51	Airfoil (AF) with Vanes	36"	5-50	Pur	022611600
52	Airfoil (AF) with Vanes	36"	5-15	Red	022611500
52	Airfoil (AF) with Vanes	36"	20-50	Pur	022611600
53	Airfoil (AF) with Vanes	36"	5-50	Red	022611500
54	Airfoil (AF) with Vanes	36"	5-50	Red	022611500

* NOTE: Spring color coding has changed. The colors shown above are the original versions. Contact McQuay Parts with model and serial number information so that the correct current spring can be selected.

Supply Air Blower

Spring Vibration Mounts, Continued

RPS/RFS-081B, 090B, 100B & RHS/RWS/RBS/RDS-808B

RPS/RFS-081B, 090B, 100B & RHS/RWS/RBS/RDS-808B 36"

Ref. Number	Supply Air Blower Wheel Type	Fan Diameter	Blower Motor HP	Part Description	Part Number
				Striping *	
51	Forward Curved (FC)-Low Pressure	36"	10-60	Pur	022611600
52	Forward Curved (FC)-Low Pressure	36"	10-30	Pur	022611600
52	Forward Curved (FC)-Low Pressure	36"	40-60	Org	022611700
53	Forward Curved (FC)-Low Pressure	36"	10-40	Red	022611500
53	Forward Curved (FC)-Low Pressure	36"	50-60	Pur	022611600
54	Forward Curved (FC)-Low Pressure	36"	10-60	Red	022611500
51	Forward Curved (FC)-Med. Pressure	36"	10-60	Pur	022611600
52	Forward Curved (FC)-Med. Pressure	36"	10-30	Pur	022611600
52	Forward Curved (FC)-Med. Pressure	36"	40-60	Org	022611700
53	Forward Curved (FC)-Med. Pressure	36"	10-40	Red	022611500
54	Forward Curved (FC)-Med. Pressure	36"	50,60	Pur	022611600
54	Forward Curved (FC)-Med. Pressure	36"	10-60	Red	022611500
51	Airfoil (AF) without Vanes	36"	10-60	Pur	022611600
52	Airfoil (AF) without Vanes	36"	10-20	Red	022611500
52	Airfoil (AF) without Vanes	36"	25-40	Pur	022611600
52	Airfoil (AF) without Vanes	36"	50, 60	Org	022611700
53	Airfoil (AF) without Vanes	36"	10-40	Red	022611500
53	Airfoil (AF) without Vanes	36"	50-60	Pur	022611600
54	Airfoil (AF) without Vanes	36"	10-60	Brn	022611400
51	Airfoil (AF) with Vanes	36"	10-60	Pur	022611600
52	Airfoil (AF) with Vanes	36"	10-40	Pur	022611600
52	Airfoil (AF) with Vanes	36"	50,60	Org	022611700
53	Airfoil (AF) with Vanes	36"	10-40	Red	022611500
54	Airfoil (AF) with Vanes	36"	50-60	Pur	022611600
54	Airfoil (AF) with Vanes	36"	10-60	Red	022611500

* NOTE: Spring color coding has changed. The colors shown above are the original versions. Contact McQuay Parts with model and serial number information so that the correct current spring can be selected.

Supply Air Blower

Spring Vibration Mounts, Continued

RPS/RFS-081B, 090B, 100B & RHS/RWS/RBS/RDS-808B

RPS/RFS-081B, 090B, 100B & RHS/RWS/RBS/RDS-808B 40"

Ref. Number	Supply Air Blower Wheel Type	Fan Diameter	Blower Motor HP	Part Description	Part Number
				Striping *	
51	Forward Curved (FC)-Low Pressure	40"	15-30	Pur	022611600
51	Forward Curved (FC)-Low Pressure	40"	40-60	Org	022611700
52	Forward Curved (FC)-Low Pressure	40"	15-30	Pur	022611600
52	Forward Curved (FC)-Low Pressure	40"	40-60	Org	022611700
53	Forward Curved (FC)-Low Pressure	40"	15-25	Red	022611500
53	Forward Curved (FC)-Low Pressure	40"	30-60	Pur	022611600
54	Forward Curved (FC)-Low Pressure	40"	15-60	Pur	022611600
51	Airfoil (AF) without Vanes	40"	15-60	Pur	022611600
52	Airfoil (AF) without Vanes	40"	15-25	Red	022611500
52	Airfoil (AF) without Vanes	40"	30-60	Pur	022611600
53	Airfoil (AF) without Vanes	40"	15-30	Red	022611500
54	Airfoil (AF) without Vanes	40"	40-60	Pur	022611600
54	Airfoil (AF) without Vanes	40"	15-60	Red	022611500
51	Airfoil (AF) with Vanes	40"	15-60	Pur	022611600
52	Airfoil (AF) with Vanes	40"	15-30	Pur	022611600
52	Airfoil (AF) with Vanes	40"	40-60	Org	022611700
53	Airfoil (AF) with Vanes	40"	15-25	Red	022611500
54	Airfoil (AF) with Vanes	40"	30-60	Pur	022611600
54	Airfoil (AF) with Vanes	40"	15-60	Red	022611500

* NOTE: Spring color coding has changed. The colors shown above are the original versions. Contact McQuay Parts with model and serial number information so that the correct current spring can be selected.

Return Air Blower

Spring Vibration Mounts, Continued

RPS/RFS-018B, 020B, 025B, 030B & RHS/RWS/RBS/RDS-800B

RPS/RFS-018B, 020B, 025B, 030B & RHS/RWS/RBS/RDS-800B 15"

Ref. Number	Return Air Blower Wheel Type	Fan Diameter	Blower Motor HP	Part Description	Part Number
				Striping *	
51	Forward Curved (FC)-Low Pressure	15"	1-5	Blk	022611100
51	Forward Curved (FC)-Low Pressure	15"	7.5,10	Blu	022611200
52	Forward Curved (FC)-Low Pressure	15"	1-2	Blk	022611100
52	Forward Curved (FC)-Low Pressure	15"	3-7.5	Blu	022611200
52	Forward Curved (FC)-Low Pressure	15"	10	Yel	022611300
53	Forward Curved (FC)-Low Pressure	15"	1-5	Blk	022611100
53	Forward Curved (FC)-Low Pressure	15"	7.5-10	Blu	022611200
54	Forward Curved (FC)-Low Pressure	15"	1-20	Blk	022611100

* NOTE: Spring color coding has changed. The colors shown above are the original versions. Contact McQuay Parts with model and serial number information so that the correct current spring can be selected.

Return Air Blower

Spring Vibration Mounts, Continued

RPS/RFS-036B, 040B & RHS/RWS/RBS/RDS-802B

RPS/RFS-036B, 040B & RHS/RWS/RBS/RDS-802B 18" & 40"

Ref. Number	Return Air Blower Wheel Type	Fan Diameter	Blower Motor HP	Part Description	Part Number
				Striping *	
51	Forward Curved (FC)-Low Pressure	18"	2-7.5	Blu	022611200
51	Forward Curved (FC)-Low Pressure	18"	10,15	Yel	022611300
52	Forward Curved (FC)-Low Pressure	18"	2-5	Blu	022611200
52	Forward Curved (FC)-Low Pressure	18"	7.5-15	Yel	022611300
53	Forward Curved (FC)-Low Pressure	18"	2-7.5	Blk	022611100
53	Forward Curved (FC)-Low Pressure	18"	10,15	Blu	022611200
54	Forward Curved (FC)-Low Pressure	18"	2-15	Blk	022611100
51	Airfoil without Vanes	18"	2-7.5	Blu	022611200
51	Airfoil without Vanes	18"	10,15	Yel	022611300
52	Airfoil without Vanes	18"	2-5	Blu	022611200
52	Airfoil without Vanes	18"	7.5-15	Yel	022611300
53	Airfoil without Vanes	18"	2-7.5	Blk	022611100
53	Airfoil without Vanes	18"	10,15	Blu	022611200
54	Airfoil without Vanes	18"	2-15	Blk	022611100
51	Airfoil with Vanes	18"	2-15	Yel	022611300
52	Airfoil with Vanes	18"	2,3	Blu	022611200
52	Airfoil with Vanes	18"	5-15	Yel	022611300
53	Airfoil with Vanes	18"	2-15	Blu	022611200
54	Airfoil with Vanes	18"	2-15	Blk	022611100
51	Airfoil	40"	1-5	Blk	022611100
52	Airfoil	40"	1-5	Blk	022611100
53	Airfoil	40"	1-5	Blu	022611200
54	Airfoil	40"	1-5	Yel	022611300

* NOTE: Spring color coding has changed. The colors shown above are the original versions. Contact McQuay Parts with model and serial number information so that the correct current spring can be selected.

Return Air Blower

Spring Vibration Mounts, Continued

RPS/RFS-041B, 051B, 060B, 070B & RHS/RWS/RBS/RDS-804B

RPS/RFS-041B, 051B, 060B, 070B & RHS/RWS/RBS/RDS-804B 27"

Ref. Number	Return Air Blower Wheel Type	Fan Diameter	Blower Motor HP	Part Description	Part Number
				Striping *	
51	Forward Curved (FC)-Low Pressure	27"	5-10	Yel	022611300
51	Forward Curved (FC)-Low Pressure	27"	15,20	Brn	022611400
52	Forward Curved (FC)-Low Pressure	27"	5	Yel	022611300
52	Forward Curved (FC)-Low Pressure	27"	7.5-20	Brn	022611400
53	Forward Curved (FC)-Low Pressure	27"	5-20	Yel	022611300
54	Forward Curved (FC)-Low Pressure	27"	5-20	Blu	022611200
51	Forward Curved (FC)-Med. Pressure	27"	5-10	Yel	022611300
51	Forward Curved (FC)-Med. Pressure	27"	15,20	Brn	022611400
52	Forward Curved (FC)-Med. Pressure	27"	5	Yel	022611300
52	Forward Curved (FC)-Med. Pressure	27"	7.5-20	Brn	022611400
53	Forward Curved (FC)-Med. Pressure	27"	5-20	Yel	022611300
54	Forward Curved (FC)-Med. Pressure	27"	5-20	Yel	022611300
51	Airfoil (AF) without Vanes	27"	2-10	Yel	022611300
51	Airfoil (AF) without Vanes	27"	15,20	Brn	022611400
52	Airfoil (AF) without Vanes	27"	2-5	Yel	022611300
52	Airfoil (AF) without Vanes	27"	7.5-20	Brn	022611400
53	Airfoil (AF) without Vanes	27"	2-20	Yel	022611300
54	Airfoil (AF) without Vanes	27"	2,3	Blu	022611200
54	Airfoil (AF) without Vanes	27"	5-20	Yel	022611300
51	Airfoil (AF) with Vanes	27"	2-10	Yel	022611300
51	Airfoil (AF) with Vanes	27"	15,20	Brn	022611400
52	Airfoil (AF) with Vanes	27"	2-5	Yel	022611300
52	Airfoil (AF) with Vanes	27"	7.5-20	Brn	022611400
53	Airfoil (AF) with Vanes	27"	2-10	Yel	022611300
53	Airfoil (AF) with Vanes	27"	15,20	Brn	022611400
54	Airfoil (AF) with Vanes	27"	2,3	Blu	022611200
54	Airfoil (AF) with Vanes	27"	5-20	Yel	022611300

* NOTE: Spring color coding has changed. The colors shown above are the original versions. Contact McQuay Parts with model and serial number information so that the correct current spring can be selected.

Return Air Blower

Spring Vibration Mounts, Continued

RPS/RFS-061B, 071B, 080B & RHS/RWS/RBS/RDS-806B

RPS/RFS-061B, 071B, 080B & RHS/RWS/RBS/RDS-806B 33"

Ref. Number	Return Air Blower Wheel Type	Fan Diameter	Blower Motor HP	Part Description	Part Number
				Striping *	
51	Forward Curved (FC)-Low Pressure	33"	5-15	Red	022611500
51	Forward Curved (FC)-Low Pressure	33"	20-30	Pur	022611600
52	Forward Curved (FC)-Low Pressure	33"	5,7.5	Brn	022611400
52	Forward Curved (FC)-Low Pressure	33"	10-25	Red	022611500
52	Forward Curved (FC)-Low Pressure	33"	30	Pur	022611600
53	Forward Curved (FC)-Low Pressure	33"	5-30	Brn	022611400
54	Forward Curved (FC)-Low Pressure	33"	5-30	Brn	022611400
51	Airfoil (AF) without Vanes	33"	5-30	Red	022611500
52	Airfoil (AF) without Vanes	33"	5-10	Brn	022611400
52	Airfoil (AF) without Vanes	33"	15-30	Red	022611500
53	Airfoil (AF) without Vanes	33"	5-30	Brn	022611400
54	Airfoil (AF) without Vanes	33"	5-30	Brn	022611400
51	Airfoil (AF) with Vanes	33"	5-30	Red	022611500
52	Airfoil (AF) with Vanes	33"	5-10	Brn	022611400
52	Airfoil (AF) with Vanes	33"	15-30	Red	022611500
53	Airfoil (AF) with Vanes	33"	5-30	Brn	022611400
54	Airfoil (AF) with Vanes	33"	5-30	Brn	022611400

* NOTE: Spring color coding has changed. The colors shown above are the original versions. Contact McQuay Parts with model and serial number information so that the correct current spring can be selected.

Return Air Blower

Spring Vibration Mounts, Continued

RPS/RFS-081B, 090B, 100B & RHS/RWS/RBS/RDS-808B

RPS/RFS-081B, 090B, 100B & RHS/RWS/RBS/RDS-808B 33"

Ref. Number	Return Air Blower Wheel Type	Fan Diameter	Blower Motor HP	Part Description	Part Number
				Striping *	
51	Forward Curved (FC)-Low Pressure	33"	5-15	Red	022611500
51	Forward Curved (FC)-Low Pressure	33"	20-30	Pur	022611600
52	Forward Curved (FC)-Low Pressure	33"	5,7.5	Brn	022611400
52	Forward Curved (FC)-Low Pressure	33"	10-25	Red	022611500
52	Forward Curved (FC)-Low Pressure	33"	30	Pur	022611600
53	Forward Curved (FC)-Low Pressure	33"	5-30	Brn	022611400
54	Forward Curved (FC)-Low Pressure	33"	5-30	Brn	022611400
51	Airfoil (AF) without Vanes	33"	5-30	Red	022611500
52	Airfoil (AF) without Vanes	33"	5-10	Brn	022611400
52	Airfoil (AF) without Vanes	33"	15-30	Red	022611500
53	Airfoil (AF) without Vanes	33"	5-30	Brn	022611400
54	Airfoil (AF) without Vanes	33"	5-30	Brn	022611400
51	Airfoil (AF) with Vanes	33"	5-30	Red	022611500
52	Airfoil (AF) with Vanes	33"	5-10	Brn	022611400
52	Airfoil (AF) with Vanes	33"	15-30	Red	022611500
53	Airfoil (AF) with Vanes	33"	5-30	Brn	022611400
54	Airfoil (AF) with Vanes	33"	5-30	Brn	022611400

* NOTE: Spring color coding has changed. The colors shown above are the original versions. Contact McQuay Parts with model and serial number information so that the correct current spring can be selected.

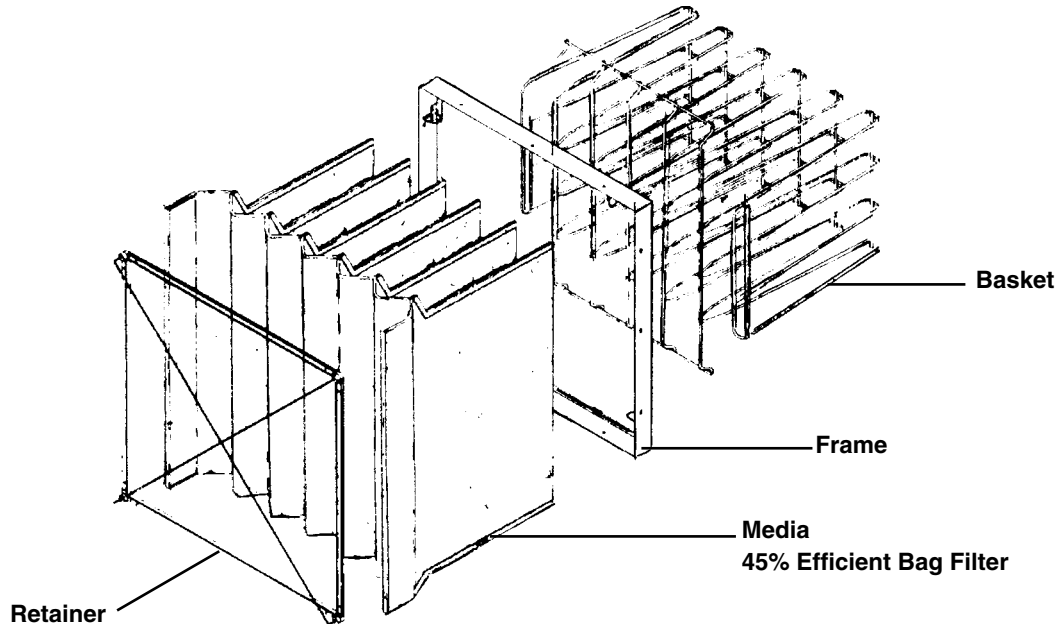
Fan Blower Motors - Supply & Return Air

H.P.	Unit Voltage	ODP HiEff See Note	ODP PrEff. See Note
	C04= 12		
5	208/60/3	039447600	065817200
7.5	208/60/3	037530300	065817300
10	208/60/3	038999000	065817400
15	208/60/3	039896200	065817500
20	208/60/3	039895800	065817600
25	208/60/3	039448900	065817700
30	208/60/3	041775200	205066500
40	208/60/3	041775300	205067100
50	208/60/3	041775400	205067500
60	208/60/3	041775800	205067700
	C04= 29		
5	230/60/3	039442500	065818200
7.5	230/60/3	039448700	065818300
10	230/60/3	039446500	065818400
15	230/60/3	039446600	065818500
20	230/60/3	039448800	065818600
25	230/60/3	039896100	065818700
30	230/60/3	040626800	205066600
40	230/60/3	041770000	205067200
50	230/60/3	039899200	205067600
60	230/60/3	041775500	065819100
	C04= 27		
5	460/60/3	039442500	065818200
7.5	460/60/3	039448700	065818300
10	460/60/3	039446500	065818400
15	460/60/3	039446600	065818500
20	460/60/3	039448800	065818600
25	460/60/3	039896100	065818700
30	460/60/3	040626800	205066600
40	460/60/3	041770000	205067200
50	460/60/3	039899200	205067600
60	460/60/3	041775500	065819100
	C04= 37		
5	575/60/3	046741900	205168900
7.5	575/60/3	047443300	205168800
10	575/60/3	047443400	205168600
15	575/60/3	047443500	205166600
20	575/60/3	049181100	205166800
25	575/60/3	049181200	205166900
30	575/60/3	049181300	205066700
40	575/60/3	049181400	205067300
50	575/60/3	049181500	205091800
60	575/60/3	049181600	205069000

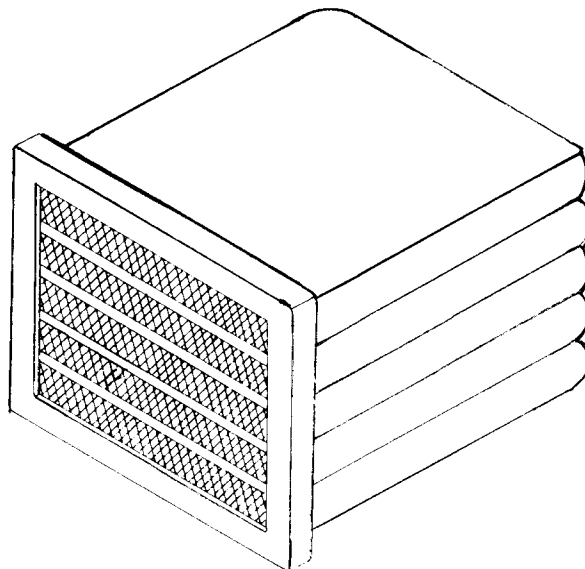
NOTE: Due to changes in NEMA guidelines, standard efficiency ODP motors (Code 07=Y) are no longer available. Current choices include Hi-Efficiency and Premium Efficiency only.

Filter Selection Diagrams

45% Efficient Bag Filter



95% Efficient Bag Filter



Filter Selection Charts

RPS/RFS-018B, 020B, 030B, 036B, 040B; RHS/RWS/RBS/RDS-800B, 802B

Ref. Figure	Part Description		Part Number	Pieces Per Unit
	Type	Size		
N/S	Filter, Throwaway	16" x 20" x 2"	000011700	5
N/S	Filter, Throwaway	16" x 25" x 2"	000016100	15
N/S	Filter, Cleanable	16" x 20" x 2"	000026700	5
N/S	Filter, Cleanable	16" x 25" x 2"	000047500	15
32	Filter, Bag Type, 45% Efficient	11.38" x 23.38" x 22"	033078825	4
32	Basket (45% Efficient Bag Filters)	11.38" x 23.38"	033078826	4
32	Frame (45% Efficient Bag Filters)	11.38" x 23.38"	033078815	4
32	Retainer (45% Efficient Bag Filters)	11.38" x 23.38"	033078816	4
32	Filter, Bag Type, 45% Efficient	23.38" x 23.38" x 22"	033078827	4
32	Basket (45% Efficient Bag Filters)	23.38" x 23.38"	033078828	4
32	Frame (45% Efficient Bag Filters)	23.38" x 23.38"	033078819	4
32	Retainer (45% Efficient Bag Filters)	23.38" x 23.38"	033078820	4
33	Filter, Bag Type, 95% Efficient	12" x 24" x 33" or 37"	029870201	4
33	Filter, Bag Type, 95% Efficient	24" x 24" x 33" or 37"	029870202	4
N/S	Pre-Filters, Throwaway (For Bag Type)	12" x 24" x 2"	029217900	4
N/S	Pre-Filters, Throwaway (For Bag Type)	24" x 24" x 2"	029218000	4
N/S	Filters, Pleated Throwaway (35% Efficient)	16" x 20" x 2"	031298001	4
N/S	Filters, Pleated Throwaway (35% Efficient)	16" x 25" x 2"	031298002	4

N/S = Not shown on diagram

RPS/RFS-041B, 051B, 060B, 070B; RHS/RWS/RBS/RDS-804B

Ref. Figure	Part Description		Part Number	Pieces Per Unit
	Type	Size		
N/S	Filter, Throwaway	16" x 20" x 2"	000011700	7
N/S	Filter, Throwaway	16" x 25" x 2"	000016100	21
N/S	Filter, Cleanable	16" x 20" x 2"	000026700	7
N/S	Filter, Cleanable	16" x 25" x 2"	000047500	21
32	Filter, Bag Type, 45% Efficient	11.38" x 23.38" x 18"	033078821	4
32	Basket (45% Efficient Bag Filters)	11.38" x 23.38"	033078822	4
32	Frame (45% Efficient Bag Filters)	11.38" x 23.38"	033078815	4
32	Retainer (45% Efficient Bag Filters)	11.38" x 23.38"	033078816	4
32	Filter, Bag Type, 45% Efficient	23.38" x 23.38" x 18"	033078823	8
32	Basket (45% Efficient Bag Filters)	23.38" x 23.38"	033078824	8
32	Frame (45% Efficient Bag Filters)	23.38" x 23.38"	033078819	8
32	Retainer (45% Efficient Bag Filters)	23.38" x 23.38"	033078820	8
33	Filter, Bag Type, 95% Efficient	12" x 24" x 33" or 37"	029870201	4
33	Filter, Bag Type, 95% Efficient	24" x 24" x 33" or 37"	029870202	8
N/S	Pre-Filters, Throwaway (For Bag Type)	12" x 24" x 2"	029217900	4
N/S	Pre-Filters, Throwaway (For Bag Type)	24" x 24" x 2"	029218000	8
N/S	Filters, Pleated Throwaway	16" x 20" x 2"	031298001	7
N/S	Filters, Pleated Throwaway	16" x 25" x 2"	031298002	21

N/S = Not shown on diagram

Filter Selection Charts, Continued

RPS/RFS-061B, 071B, 080B; RHS/RWS/RBS/RDS-806B

Ref. Figure	Part Description		Part Number	Pieces Per Unit
	Type	Size		
N/S	Filter, Throwaway	16" x 20" x 2"	000011700	10
N/S	Filter, Throwaway	16" x 25" x 2"	000016100	30
N/S	Filter, Cleanable	16" x 20" x 2"	000026700	10
N/S	Filter, Cleanable	16" x 25" x 2"	000047500	30
32	Filter, Bag Type, 45% Efficient	11.38" x 23.38" x 18"	033078821	4
32	Basket (45% Efficient Bag Filters)	11.38" x 23.38"	033078822	4
32	Frame (45% Efficient Bag Filters)	11.38" x 23.38"	033078815	4
32	Retainer (45% Efficient Bag Filters)	11.38" x 23.38"	033078816	4
32	Filter, Bag Type, 45% Efficient	23.38" x 23.38" x 18"	033078823	12
32	Basket (45% Efficient Bag Filters)	23.38" x 23.38"	033078824	12
32	Frame (45% Efficient Bag Filters)	23.38" x 23.38"	033078819	12
32	Retainer (45% Efficient Bag Filters)	23.38" x 23.38"	033078820	12
33	Filter, Bag Type, 95% Efficient	12" x 24" x 33" x 37"	029870201	4
33	Filter, Bag Type, 95% Efficient	24" x 24" x 33" x 37"	029870202	12
N/S	Pre-Filters, Throwaway (For Bag Type)	12" x 24" x 2"	029217900	4
N/S	Pre-Filters, Throwaway (For Bag Type)	24" x 24" x 2"	029218000	12
N/S	Filters, Pleated Throwaway	16" x 20" x 2"	031298001	10
N/S	Filters, Pleated Throwaway	16" x 25" x 2"	031298002	30

N/S = Not shown on diagram

RPS/RFS-081B, 090B, 100B; RHS/RWS/RBS/RDS-808B

Ref. Figure	Part Description		Part Number	Pieces Per Unit
	Type	Size		
N/S	Filter, Throwaway	20" x 20" x 2"	000011800	10
N/S	Filter, Throwaway	20" x 25" x 2"	000016000	30
N/S	Filter, Cleanable	20" x 20" x 2"	000091500	10
N/S	Filter, Cleanable	20" x 25" x 2"	000095300	30
32	Filter, Bag Type, 45% Efficient	11.38" x 23.38" x 22"	033078825	4
32	Basket (45% Efficient Bag Filters)	11.38" x 23.38"	033078826	4
32	Frame (45% Efficient Bag Filters)	11.38" x 23.38"	033078815	4
32	Retainer (45% Efficient Bag Filters)	11.38" x 23.38"	033078816	4
32	Filter, Bag Type, 45% Efficient	23.38" x 23.38" x 22"	033078827	12
32	Basket (45% Efficient Bag Filters)	23.38" x 23.38"	033078828	12
32	Frame (45% Efficient Bag Filters)	23.38" x 23.38"	033078819	12
32	Retainer (45% Efficient Bag Filters)	23.38" x 23.38"	033078820	12
33	Filter, Bag Type, 95% Efficient	12" x 24" x 33" or 37"	029870201	4
33	Filter, Bag Type, 95% Efficient	24" x 24" x 33" or 37"	029870202	12
N/S	Pre-Filters, Throwaway (For Bag Type)	12" x 24" x 2"	029217900	4
N/S	Pre-Filters, Throwaway (For Bag Type)	24" x 24" x 2"	029218000	12
N/S	Filters, Pleated Throwaway (35% Efficient)	16" x 20" x 2"	031298003	10
N/S	Filters, Pleated Throwaway (35% Efficient)	16" x 25" x 2"	031298004	30

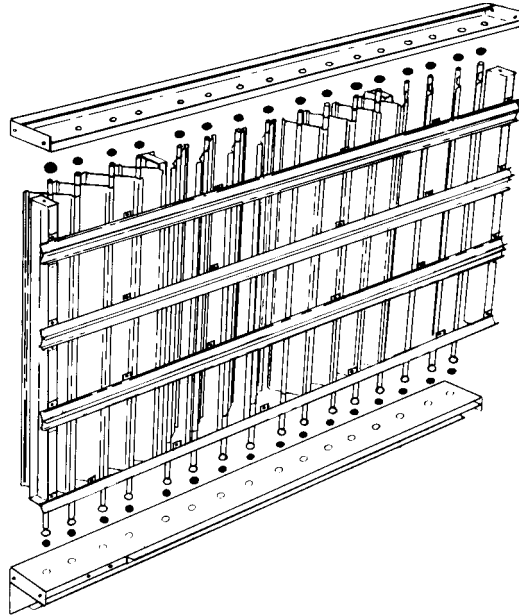
N/S = Not shown on diagram

Economizer Damper

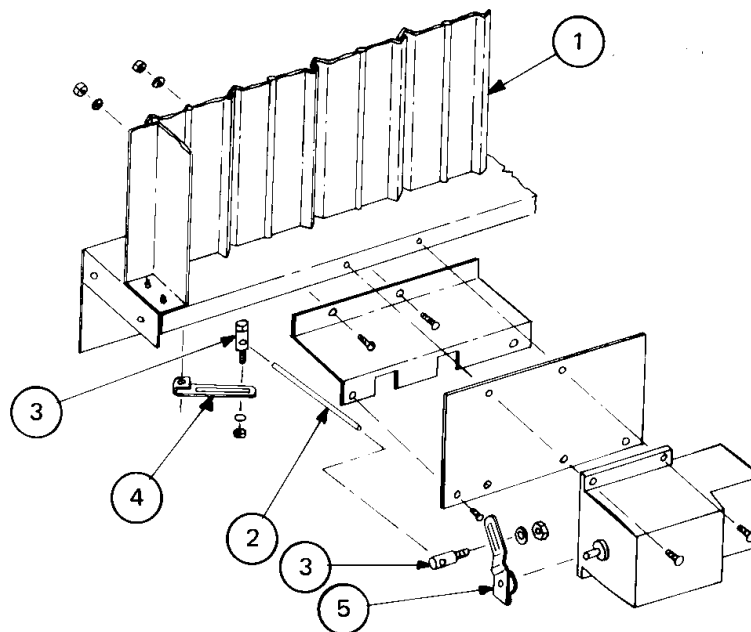
Standard Type Damper

RPS/RFS-018B thru 100B & RHS/RWS-800B thru 808B

Typical Standard Type Damper Assembly



Standard Type Damper Linkage



Economizer Damper

Standard Type Damper

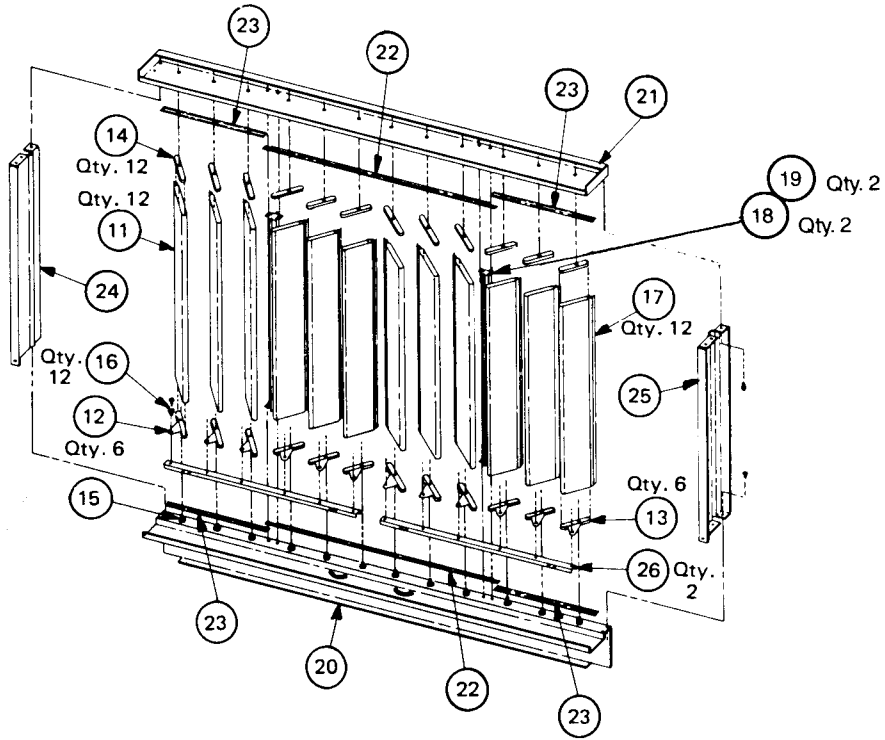
RPS/RFS-018B thru 100B & RHS/RWS-800B thru 808B

Bubble Number	Part Description	Part Number	Model Number - Pieces Per Unit														
			800B			802B			804B			806B			808B		
			018B	020B	025B	030B	036B	040B	041B	051B	060B	070B	061B	071B	080B	081B	090B
Units <i>With</i> Bag Type Filter, No Filters																	
1	Economizer Damper Ass'y.	032696900	1	1	1	1	1	1									
1	Economizer Damper Ass'y.	032696300							1	1	1	1					
1	Economizer Damper Ass'y.	031713700										1	1	1	1	1	1
2	Actuator Linkage Rod, Motorized Damper	028680909	1	1	1	1	1	1	1	1	1	1	1	1	1	1	1
2	Actuator Linkage Rod, Manual Damper	028680907	1	1	1	1	1	1	1	1	1	1	1	1	1	1	1
3	Ball Joint	000887000	2	2	2	2	2	2	2	2	2	2	2	2	2	2	2
4	Damper Crankarm	025072600	1	1	1	1	1	1	1	1	1	1	1	1	1	1	1
5	Motor Crankarm, Motorized Dampers only	023680400	1	1	1	1	1	1	1	1	1	1	1	1	1	1	1
Units <i>With Other Than</i> Bag Type Filters																	
1	Economizer Damper Ass'y.	040833600	1	1	1	1	1	1									
1	Economizer Damper Ass'y.	040832400							1	1	1	1					
1	Economizer Damper Ass'y.	040832800										1	1	1	1	1	1
2	Actuator Linkage Rod, Motorized Damper	028680909	1	1	1	1	1	1	1	1	1	1	1	1	1	1	1
2	Actuator Linkage Rod, Manual Damper	028680907	1	1	1	1	1	1	1	1	1	1	1	1	1	1	1
3	Ball Joint	000887000	2	2	2	2	2	2	2	2	2	2	2	2	2	2	2
4	Damper Crankarm	025072600	1	1	1	1	1	1	1	1	1	1	1	1	1	1	1
5	Motor Crankarm, Motorized Dampers only	023680400	1	1	1	1	1	1	1	1	1	1	1	1	1	1	1

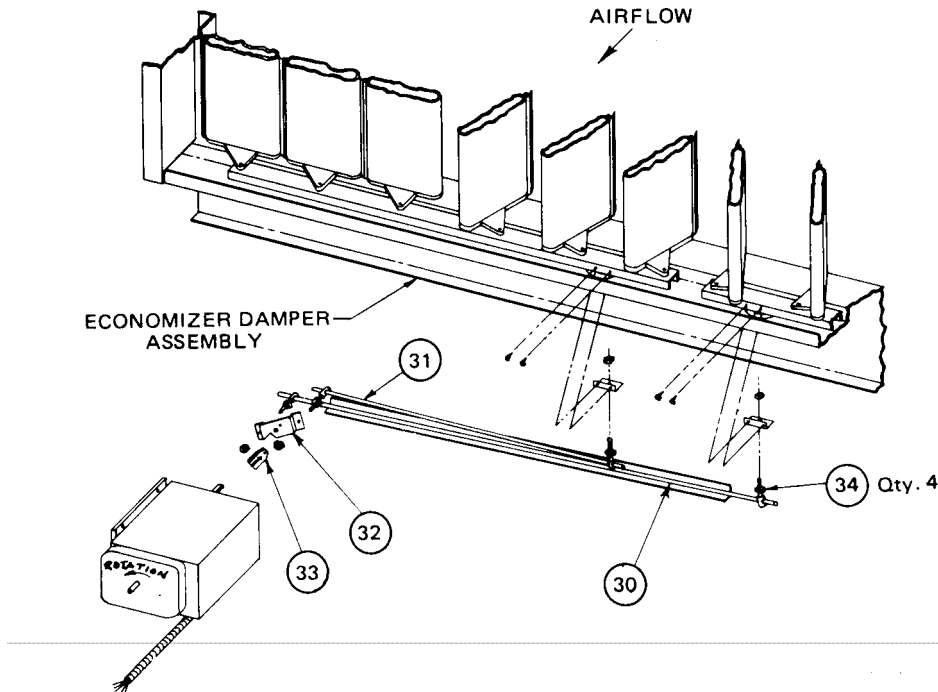
Economizer Damper Low Leak Type Damper

RPS/RFS-018B thru 100B & RHS/RWS-800B thru 808B

Typical Low Leak Type Damper Assembly



Low Leak Type Damper Linkage



Economizer Damper

Low Leak Type Damper

RPS/RFS-018B thru 100B & RHS/RWS-800B thru 808B

Low Leak Type Damper

Bubble Number	Part Description	Part Number	Model Number - Pieces Per Unit														
			800B			802B			804B			806B			808B		
			018B	020B	025B	030B	036B	040B	041B	051B	060B	070B	061B	071B	080B	081B	090B
11	Damper Blade, 37.08" Long	044195101	12	12	12	12	12	12									
11	Damper Blade, 57.08" Long	044195102							12	12	12	12					
11	Damper Blade, 81.08" Long	044195103											12	12	12	12	12
12	Blade Plug End, Bottom, I.D. No. '2'	041003502	6	6	6	6	6	6	6	6	6	6	6	6	6	6	6
13	Blade Plug End, Bottom, I.D. No. '3'	041003503	6	6	6	6	6	6	6	6	6	6	6	6	6	6	6
14	Blade End Plug, Top, I.D. No. '1'	041003501	12	12	12	12	12	12	12	12	12	12	12	12	12	12	12
15	Bushing, Damper Blade, Top & Bottom	043730400	24	24	24	24	24	24	24	24	24	24	24	24	24	24	24
16	Bushing, Linkage Bar	046098300	12	12	12	12	12	12	12	12	12	12	12	12	12	12	12
17	Gasket, Damper Blade	044193114	12	12	12	12	12	12									
17	Gasket, Damper Blade	044193115							12	12	12	12					
17	Gasket, Damper Blade	044193116											12	12	12	12	12
18	Center Upright	046443100	2	2	2	2	2	2									
18	Center Upright	046442400							2	2	2	2					
18	Center Upright	045655400											2	2	2	2	2
19	Gasket, Center Upright	045655714	2	2	2	2	2	2									
19	Gasket, Center Upright	045655715							2	2	2	2					
19	Gasket, Center Upright	045655716											2	2	2	2	2
20	Bottom Frame	044195500	1	1	1	1	1	1	1	1	1	1	1	1	1	1	1
21	Top Frame	044193701	1	1	1	1	1	1	1	1	1	1	1	1	1	1	1
22	Center Seal, Top & Bottom	043734400	2	2	2	2	2	2	2	2	2	2	2	2	2	2	2
23	Outside Seal, Top & Bottom	043734500	4	4	4	4	4	4	4	4	4	4	4	4	4	4	4
24	Damper Upright, Side	046443201	1	1	1	1	1	1									
24	Damper Upright, Side	044193601							1	1	1	1					
24	Damper Upright, Side	044961801											1	1	1	1	1
25	Damper Upright, Side	046443202	2	2	2	2	2	2									
25	Damper Upright, Side	044193602							1	1	1	1					
25	Damper Upright, Side	044961802											1	1	1	1	1
26	Linkage Bar	044194800							2	2	2	2	2	2	2	2	2

Low-Leak Type Damper Linkage, Motorized & Manual Operation

Bubble Number	Part Description	Part Number	Pieces Per Unit
30	Drive Rod, 41.00" Long, Motorized Only	046280100	1
30	Drive Rod, 41.00" Long, Manual Only	044195004	1
31	Drive Rod, 27.00" Long, Motorized & Manual	044195003	1
32	Crankarm Operator, Motorized Only	044194100	1
33	Crankarm Motor, Motorized Only	023680400	1
34	Ball Joint, Motorized & Manual	000887000	4

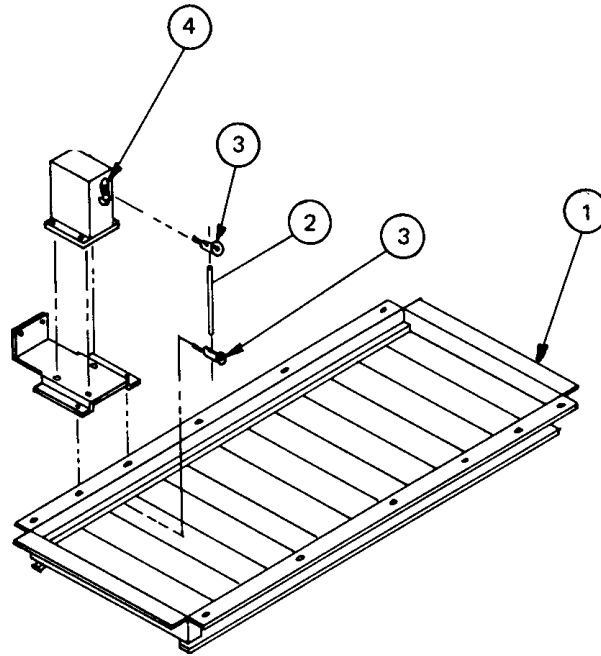
Economizer Damper

Bottom Discharge Air & Return Air Opening Dampers

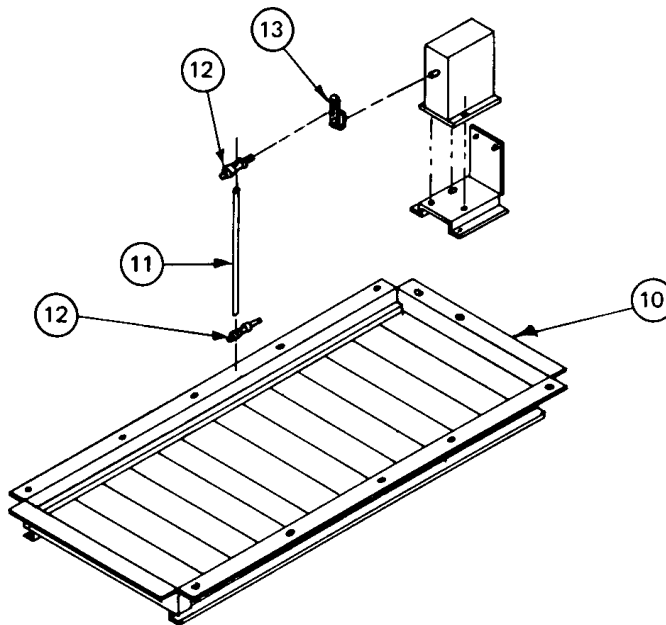
RPS/RFS-018B thru 100B & RHS/RWS-800B thru 808B

Note: Damper linkage and actuator motor are not factory supplied with RBS/RDS units.

Discharge Air Damper & Linkage



Return Air Damper & Linkage



Economizer Damper

Bottom Discharge Air & Return Air Opening Dampers

RPS/RFS-018B thru 100B & RHS/RWS-800B thru 808B

Note: Damper linkage and actuator motor are not factory supplied with RBS/RDS units.

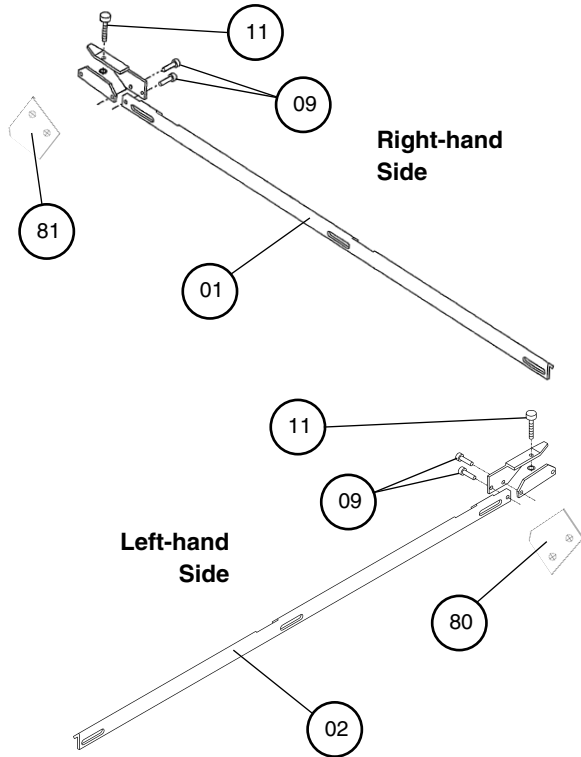
Bubble Number	Part Description	Part Number	Model Number - Pieces Per Unit													
			800B				802B		804B			806B			808B	
			018B	020B	025B	030B	036B	040B	041B	051B	060B	070B	061B	071B	080B	081B
Discharge Air Opening Damper Components - RPS/RFS, 018B-100B; RHS/RWS, 800B-808B																
1	Damper Assembly	034542300	1	1	1	1										
1	Damper Assembly	034542401					1	1								
1	Damper Assembly	034542402							1	1	1	1				
1	Damper Assembly	034542403											1	1	1	
1	Damper Assembly	034542404														1
2	Damper Actuator Rod, 8.50" Long	033507500	1	1	1	1	1	1	1	1	1	1	1	1	1	1
3	Ball Joint, Damper	000887000	2	2	2	2	2	2	2	2	2	2	2	2	2	2
4	Crankarm, Motor	032279200	1	1	1	1	1	1	1	1	1	1	1	1	1	1
Discharge Air Opening Damper Assembly - RBS/RDS, 800B-808B																
	Damper Assembly	034834900	1	1	1	1										
	Damper Assembly	034835101					1	1								
	Damper Assembly	034835102							1	1	1	1				
	Damper Assembly	034835103											1	1	1	
	Damper Assembly	034835104													1	1
Return Air Opening Damper Components - All Units																
10	Damper Assembly	033507401	1	1	1	1										
10	Damper Assembly	033507402					1	1								
10	Damper Assembly	033507403							1	1	1	1				
10	Damper Assembly	033507404											1	1	1	
10	Damper Assembly	033507405													1	1
11	Damper Actuator Rod, 8.50" Long	033507500	1	1	1	1	1	1	1	1	1	1	1	1	1	1
12	Ball Joint, Damper	000887000	2	2	2	2	2	2	2	2	2	2	2	2	2	2
13	Crankarm, Motor	032279200	1	1	1	1	1	1	1	1	1	1	1	1	1	1

Miscellaneous Cabinetry

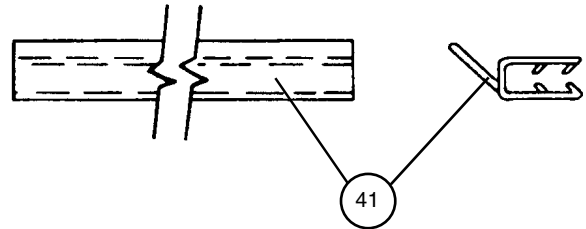
Diagrams

RPS/RFS-018B thru 100B & RHS/RWS-800B thru 808B

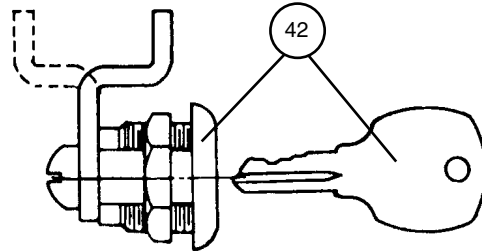
Door Latch Assembly



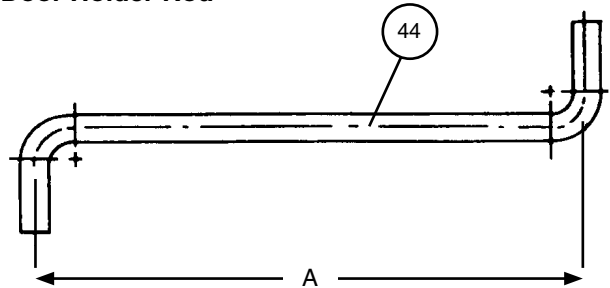
Vinyl Door Gasket



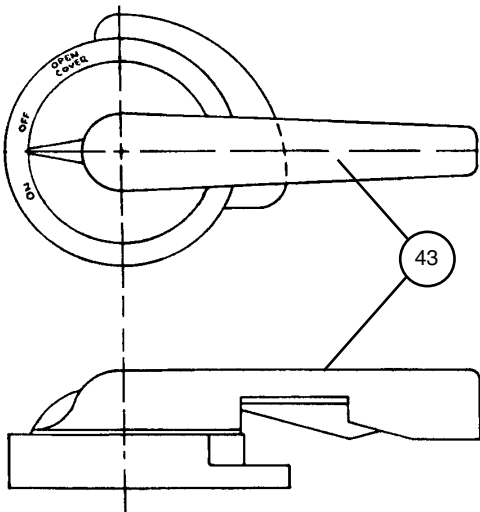
Condenser Control Box Lock with Key



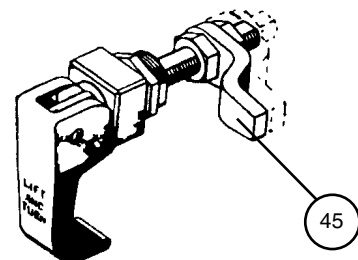
Door Holder Rod



Main Control Box Disconnect Switch Handle



Control Box Door Latch



Miscellaneous Cabinetry Components

RPS/RFS-018B thru 100B & RHS/RWS-800B thru 808B

Ref. No.	Part Description	Part Number
01	Door Latch Ass'y. (RH) RPS/RFS, 018B-040B; RHS/RWS/RBS/RDS, 800B-802B	039387400
02	Door Latch Ass'y. (LH) RPS/RFS, 018B-040B; RHS/RWS/RBS/RDS, 800B-802B	039387300
01	Door Latch Ass'y. (RH) RPS/RFS, 041B, 051B, 060B, 070B; RHS/RWS/RBS/RDS, 804B	039387200
02	Door Latch Ass'y. (LH) RPS/RFS, 041B, 051B, 060B, 070B; RHS/RWS/RBS/RDS, 804B	039387100
01	Door Latch Ass'y. (RH) RPS/RFS, 061B, 071B, 080B-100B; RHS/RWS/RBS/RDS, 806B, 808B	039387600
02	Door Latch Ass'y. (LH) RPS/RFS, 061B, 071B, 080B-100B; RHS/RWS/RBS/RDS, 806B, 808B	039387500
09	Rivet	039002100
11	Door Latch Screw	039449902
N/S	Hinge, Door	032457700
N/S	Hinge, Gas Vestibule	034005900
41	Gasket, Door, Vinyl - (Available in 122" Lengths only. Order as needed.)	029859001
42	Door Lock with Key, Condenser Control Box	001157200
	Key only for Condenser Control Box Door Lock	021993200
N/S	Disconnect Handle Kit (Contains handle, 6.53" shaft, & mounting plate)	055704326
43	Handle, Main Control Box Disconnect Switch (DS1)	025862300
N/S	Shaft, Disconnect, Short 6.53"	025862600
N/S	Shaft, Disconnect, Long 13.22" (Field cut to required length. Not included in Disconnect Handle Kit)	025862600
N/S	Mechanism, Disconnect Switch (Not included in Disconnect Handle Kit.)	028399200
44	Door Holder Rod 22" Section, Dimension A = 12.60"	038269301
44	Door Holder Rod 28" Section, Dimension A = 16.16"	038269302
44	Door Holder Rod 33" Section, Dimension A = 18.80"	038269305
44	Door Holder Rod 40" Section, Dimension A = 23.32"	038269303
44	Door Holder Rod 52" Section, Dimension A = 30.52"	038269304
45	Door Latch, Control Box	001337800
N/S	Paint, Touch-up, Mist Gray, 12 Ounce Aerosol	802083003

N/S= Not shown on diagram.

Miscellaneous Cabinetry

Wall Mounted Controls and Accessories

RPS/RFS-018B thru 100B & RHS/RWS-800B thru 808B

Part Description	Vendor Marking	Part Number
Electro-Mechanical Wall Thermostats with Switches		
Thermostat: 2-Cooling Only, 24VAC, 42-88° F	Honeywell T874E-1008	027672900
Subbase: Fan Auto-On, System Off-Auto	Honeywell Q674C-1009	027673100
Thermostat: 2-Cooling, 1-Heating, 44-86° F	Honeywell T872B-1005	026205400
Subbase: Fan Auto-On, System Off-Heat-Cool	Honeywell Q672B-1075	026205600
Thermostat: 1-Cooling, 1-Heating (RHS/RWS Only)	Honeywell T874A-1002	026206000
Subbase: Fan Auto-On, System Off-Heat-Cool	Honeywell Q672B-1075	026205600
Thermostat: 2-Cooling, 2-Heating, 42-88° F	Honeywell T874D-1009	026205800
Subbase: Fan Auto-On, System Off-Heat-Cool	Honeywell Q672B-1075	026205600
Thermostat: 1-Cooling, 2-Heating, 42-88° F	Honeywell T874D-1000	026205900
Subbase: Fan Auto-On, System Off-Heat-Cool	Honeywell Q672B-1075	026205600
Thermostat: 1or 2 Heating Only, 42-88° F	Honeywell T874F-1007	031782300
Subbase: Fan Auto-On, System Off-Heat-Cool	Honeywell Q672B-1075	026205600
Wall Thermostats Less Switches (For use with Remote Monitor Panel)		
Thermostat: 2-Cooling Only, 24VAC, 42-88° F	Honeywell T874E-1008	027672900
Subbase: No System or Fan Switches	Honeywell Q674D-1008 (or -1040)	026205500
Thermostat: 2-Cooling, 1-Heating, 44-86° F	Honeywell T872B-1005	026205400
Subbase: No System or Fan Switches	Honeywell Q674D-1008 (or -1040)	026205500
Thermostat: 1-Cooling, 1-Heating (RHS/RWS Only)	Honeywell T874A-1002	026206000
Subbase: No System or Fan Switches	Honeywell Q674D-1008 (or -1040)	026205500
Thermostat: 1or 2 Heating Only, 42-88° F	Honeywell T874F-1007	031782300
Subbase: No System or Fan Switches	Honeywell Q674D-1008 (or -1040)	026205500
Thermostat: Solid-state (Used with W973 Panel)	Honeywell T7067A-1008	039897100
Thermostat: Mod-Heating, Proportional (RHS Only)	Honeywell T921A-1175	025866500
Control Accessories		
Remote Monitor Panel, with 300 Ohm Potentiometer	Honeywell W950F-1051	030885105
Night Setback Thermostat, 55-95° F	Honeywell T822D-1008 (or -1040)	026119200
Auto 24 Hour Timeclock, Manual On-Off Switch	Paragon 4005-00S	039442700
Auto 24 Hour Timeclock, Spring Wound Carryover	Paragon 4215-00S	039442800
Auto Program Timeclock, 7-Day, 120 Volt	Paragon 7008-0	033152000
Auto Program Timeclock, Spring Carryover	Paragon 7218-0	033152100
0-12 Hour Manual Override Timer, SPST N.C.	Mark Time 90002	037517400