

Steam/Hot Water Unit Heaters, Horizontal Model—UH and Vertical Model—UD

- 2-pipe applications, up to 150 psig steam or 220 psig, 375°F water
- Copper coils, 1/2" diameter, with aluminum fins (12 per inch)
- Horizontal louvers standard, vertical louvers an option on all models
- Intermittent or continuous fan operation controls (optional)
- Standard 115/60/1 PSC motors, enclosed with thermal overload protection
- 230/60/1; 200/60/3; 230/460/60/3 motors available
- Explosion proof motors available
- Finger-proof fan guards standard
- CSA Listed
- Baked-on, textured paint
- Optional air deflectors: cone jet, truncone, louvers and 3 or 4 cone anemostat

For more detail, refer to Catalog FC-UH00. For the most current information, refer to www.mcquay.com.

Model UH



Model UD



Model UH and Model UD Performance Data—2 lbs Steam¹, 60°F Entering Air, High Motor Speed

Model	Btu/hr	Condensate lb/hr	Sq ft EDR	Cfm	Outlet velocity (fpm)	Final air temp (°F)	Air Data						
							Max. mounting height (ft) ²	Heat spread @ max height	Sound class	Heat spread @ max height	Sound class		
Horizontal Units													
UH-18	18,000	18	75	400	510	102	9	15	17	11	II	1/30	1550
UH-24	24,000	25	100	450	580	109	9	18	18	13	II	1/30	1550
UH-33	33,000	35	138	630	510	109	10	19	20	14	II	1/15	1550
UH-47	47,000	49	196	730	600	120	12	21	25	16	III	1/15	1550
UH-63	63,000	66	263	1120	605	112	14	24	29	18	III	1/10	1550
UH-86	86,000	89	358	1340	730	119	15	28	31	21	III	1/10	1550
UH-108	108,000	111	450	1550	625	125	15	31	32	23	III	1/8	1075
UH-121	121,000	126	504	1775	715	123	16	34	33	25	III	1/8	1075
UH-165	165,000	170	688	2500	750	121	17	37	34	26	IV	1/4	1075
UH-193	193,000	200	804	2900	870	122	18	37	37	30	IV	1/4	1075
UH-258	258,000	267	1075	3900	920	121	19	36	40	30	V	1/3	1075
UH-290	290,000	300	1208	4300	1010	122	20	44	44	37	V	1/2	1100
UH-340	340,000	352	1417	5130	965	121	20	43	46	36	V	1/2	1100
Vertical Units													
UD-42	42,000	43	175	950	779	103	11	15	17	11	II	1/20	1550
UD-59	59,000	61	246	1150	943	111	13	18	20	13	II	1/20	1550
UD-78	78,000	81	325	1550	992	110	14	19	22	14	II	1/8	1550
UD-95	95,000	99	396	1775	1136	113	16	21	24	16	II	1/8	1550
UD-139	139,000	144	579	2500	1284	116	18	24	27	18	III	1/4	1075
UD-161	161,000	167	671	2900	1490	115	21	28	31	21	III	1/4	1075
UD-193	193,000	200	804	3900	1643	109	23	31	34	23	IV	1/2	900
UD-212	212,000	219	883	4300	1812	109	25	33	37	25	IV	1/2	1075
UD-247	247,000	256	1029	5130	1805	107	26	34	39	26	IV	5/8	900
UD-279	279,000	288	1163	5800	2040	107	30	37	45	30	V	5/8	1075
UD-333	333,000	345	1388	6600	1968	110	30	37	45	30	V	1	1075
UD-385	385,000	398	1604	7860	1930	106	30	36	45	30	VI	1	1140
UD-500	500,000	518	2083	10,790	2490	103	37	44	56	37	VI	1 1/2	1140
UD-610	610,000	631	2542	12,350	2345	106	36	43	54	36	VI	1 1/2	1140

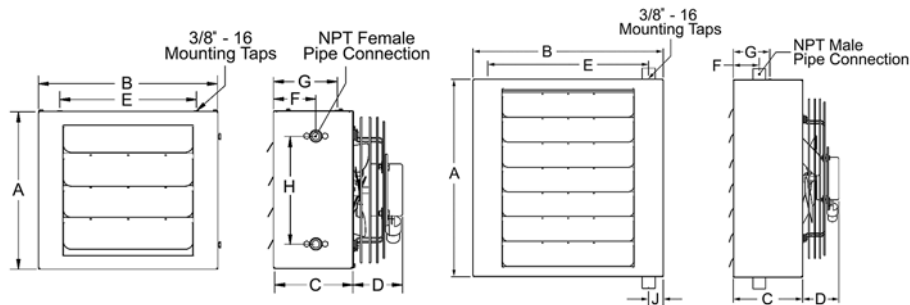
1. For hot water performance data, see Catalog FC-UH00.

2. Applies to most popular motor.

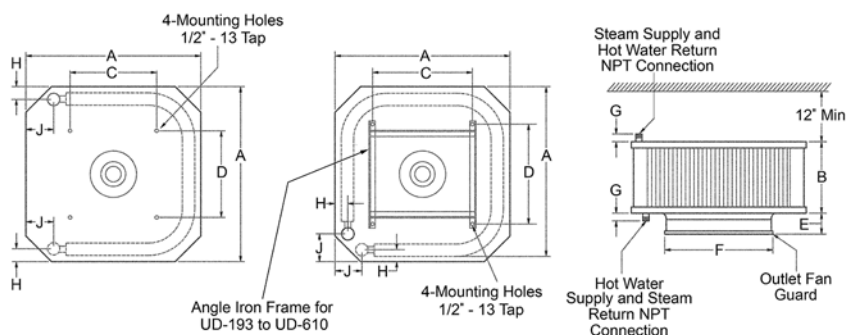
Fan Coils

Dimensional Data

Model UH



Model UD



Model UH and Model UD Dimensions

Model	A	B	C	D	E	F	G	H	J	NPT connections	Fan dia.	Approx. shipping weight (lbs)
Horizontal Units												
UH-18	15"	16 7/8"	7 1/2"	4 1/2"	12"	3 1/2"	5"	10"	—	3/4"	9"	18
UH-24	15"	16 7/8"	7 1/2"	4 1/2"	12"	3 1/2"	5"	10"	—	3/4"	9"	19
UH-33	19"	19 3/4"	7 1/2"	4 3/4"	12"	3 1/2"	5"	14"	—	3/4"	12"	35
UH-47	19"	19 3/4"	7 1/2"	4 3/4"	12"	3 1/2"	5"	14"	—	3/4"	12"	36
UH-63	19"	25 3/4"	8 1/2"	4 3/4"	18"	3 1/2"	5"	14"	—	3/4"	14"	51
UH-86	19"	25 3/4"	8 1/2"	4 3/4"	18"	3 1/2"	5"	14"	—	3/4"	14"	52
UH-108	27"	25 7/8"	9 1/2"	6 1/4"	18"	3 1/2"	5 1/4"	—	2"	1 1/2"	18"	76
UH-121	27"	25 7/8"	9 1/2"	6 1/4"	18"	3 1/2"	5 1/4"	—	2"	1 1/2"	18"	77
UH-165	27"	31 7/8"	10"	6 1/4"	24 7/8"	3 1/2"	6 1/4"	—	2"	1 1/2"	20"	95
UH-193	27"	31 7/8"	10"	8 3/8"	24 7/8"	3 1/2"	6 1/4"	—	2"	1 1/2"	20"	96
UH-258	33"	40 13/16"	11"	8 3/8"	32 7/8"	3 1/2"	6 1/4"	—	2 1/4"	2"	22"	165
UH-290	33"	40 13/16"	11"	8 3/8"	32 7/8"	3 1/2"	6 1/4"	—	2 1/4"	2"	22"	167
UH-340	39"	40 13/16"	12"	8 3/8"	32 7/8"	3 1/2"	7 1/4"	—	2 1/4"	2"	24"	182
Vertical Units												
UD-42, UD-59	23"	6 3/8"	12"	12"	3 1/8"	15"	2 3/4"	1 7/8"	3 1/4"	1 1/2"	13 3/4"	52
UD-78, UD-95	25"	6 3/8"	13"	13"	3 1/8"	17"	2 3/4"	1 7/8"	3 1/4"	1 1/2"	15 3/4"	64
UD-139, UD-161	35"	10 3/8"	14 7/16"	14 7/16"	3 1/8"	18 7/8"	2 3/4"	2"	3 1/4"	1 1/2"	17 3/4"	99
UD-193, UD-212	30"	12 3/8"	19"	17"	4"	20 7/8"	2 3/4"	2"	3 5/8"	2"	19 3/4"	126
UD-247, UD-279	35"	12 3/8"	20"	18"	4"	22 7/8"	2 3/4"	2"	3 5/8"	2"	21 3/4"	154
UD-333, UD-385	35"	18 3/8"	21"	21"	4"	24 3/4"	2 3/4"	2 1/2"	4 1/2"	2 1/2"	23 3/4"	189
UD-510	43"	18 3/8"	25"	25"	4"	28 3/4"	2 3/4"	2 1/2"	4 1/2"	2 1/2"	27 3/4"	270
UD-610	43"	18 3/8"	27"	27"	4"	30 3/4"	2 3/4"	2 1/2"	4 1/2"	2 1/2"	29 3/4"	290