

Group: **Controls**

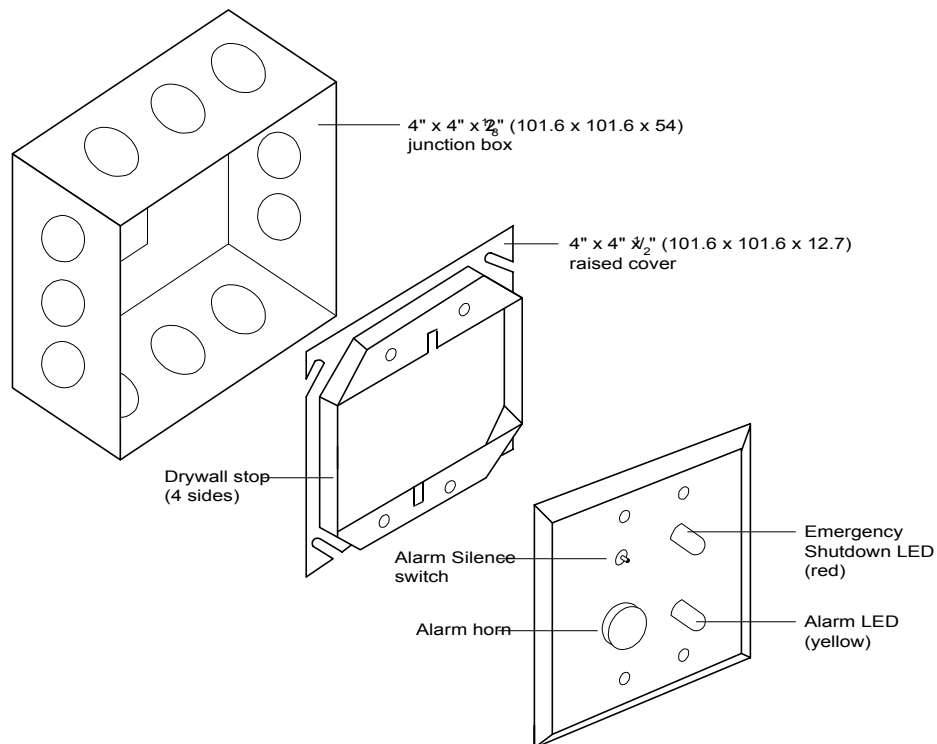
Part Number: **571420Y**

Date: **June 1997**

MicroTech® Remote Alarm Panel

For Use with MicroTech Loop Water Controller

Figure 1. Remote Alarm Panel (exploded view)



General Description

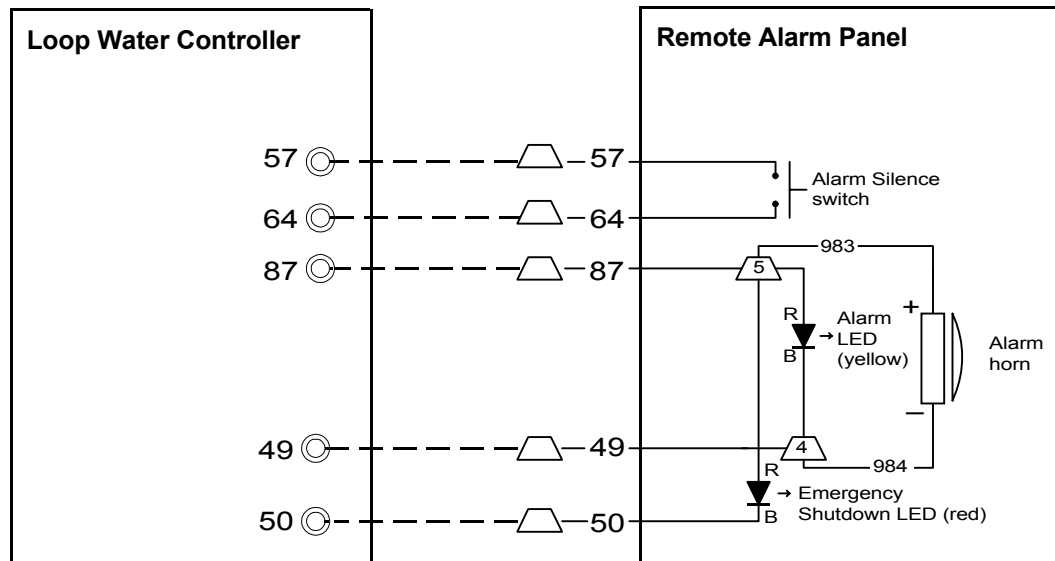
The Remote Alarm Panel is an accessory for the Loop Water Controller that enables the user to monitor the status of the Loop Water Controller from another location. The Remote Alarm Panel has two LEDs, an alarm horn, and an alarm silence switch (see Figure 1).

The two LEDs indicate an emergency shutdown (Red), or an alarm (Yellow). These LEDs correspond to the LEDs on the front panel of the Loop Water Controller.

The alarm horn indicates when an alarm occurs with a periodic audible sound, or when an emergency shutdown occurs with a continuous audible sound. The alarm horn can be silenced by pressing the Alarm Silence switch.

Note: Silencing the alarm horn does not clear the alarm. Alarms can be cleared in the Loop Water Controller by using its keypad/display or a PC running Monitor™ software.

Figure 2. Remote Alarm Panel Wiring Schematic



Notes:

1. Maximum wire distance is 1500 feet between panels using 18 gauge wire.
2. All Remote Alarm Panel wiring is 24 V or less and supplied by UL Class II transformer.

Legend

- 911 — Factory wire number
- Field wiring terminal
- - - Field wiring
- △— Crimp-type wire connector or wire n

McQuay and MicroTech are registered trademarks of McQuay International.
 Monitor is a trademark of McQuay International.
 All other trademarks are the property of their respective owners.